

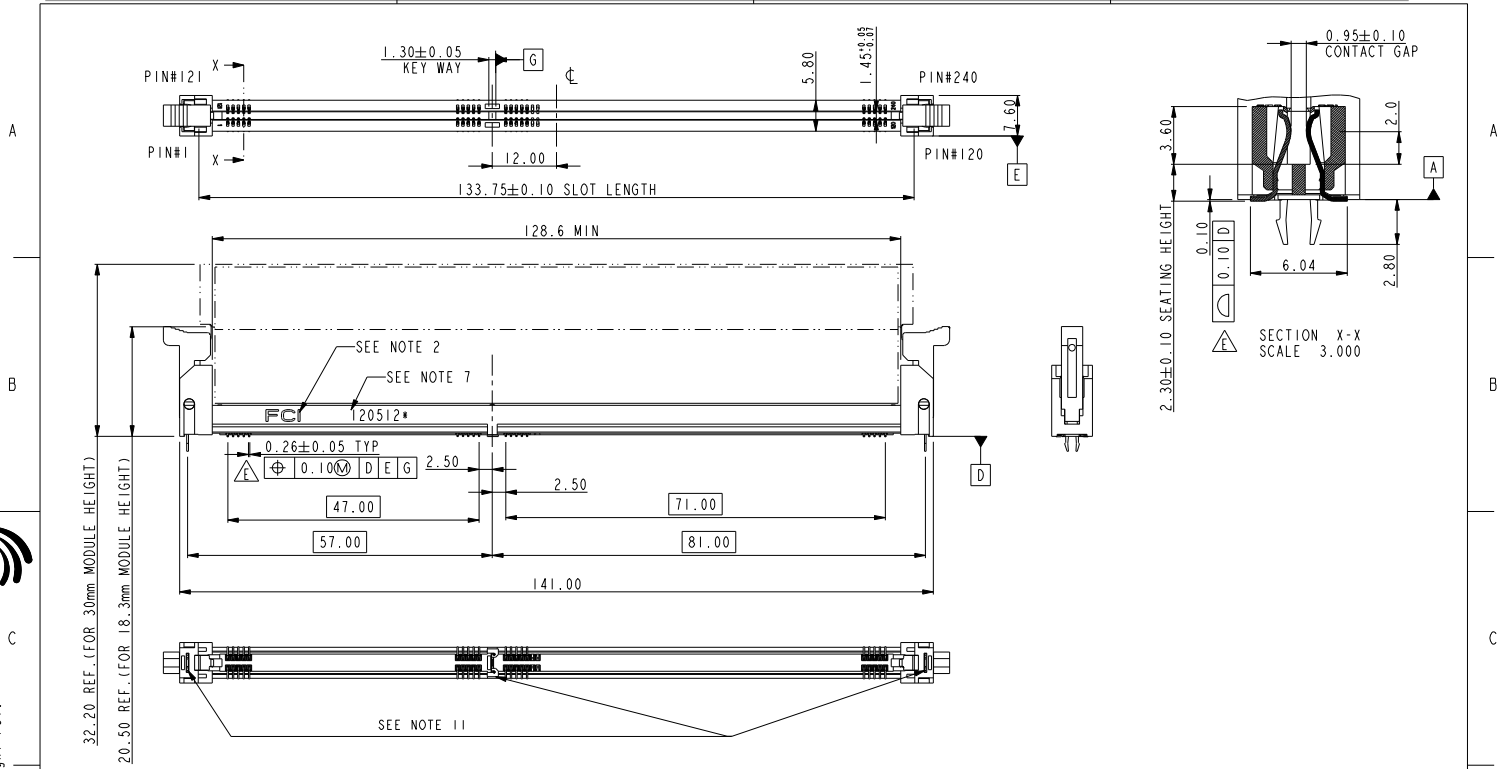
Excellent Integrated System Limited

Stocking Distributor

Click to view price, real time Inventory, Delivery & Lifecycle Information:

[FCI](#)
[10104389-13206LF](#)

For any questions, you can email us directly:
sales@integrated-circuit.com



Copyright FCI.

spec ref	*	dr	Rick Bian	2010/07/03	projection	MM	size	A4	scale	1.000
tolerance std	TOLERANCES UNLESS OTHERWISE SPECIFIED	eng	Eric Jiang	2014/07/31			ecn no	ELX-DG-18366-1	rel level	Released
		chr	Jian Huang	2014/08/04						
		appr	Pei-Ming Zheng	2014/08/04	product family					
surface	linear 0.X ±0.5 0.XX ±0.30 0.XXX ±0.15 angular 0° ±2°		title DDR III SMT SOCKET ASS'Y (WITH LCP HOUSING)			dwg no 10104389	rev E			
www.fci.com		cat. no.	*	Product - Customer Drw			sheet 1 of 4			

FILE FILE REV C - 2009-08-09

1

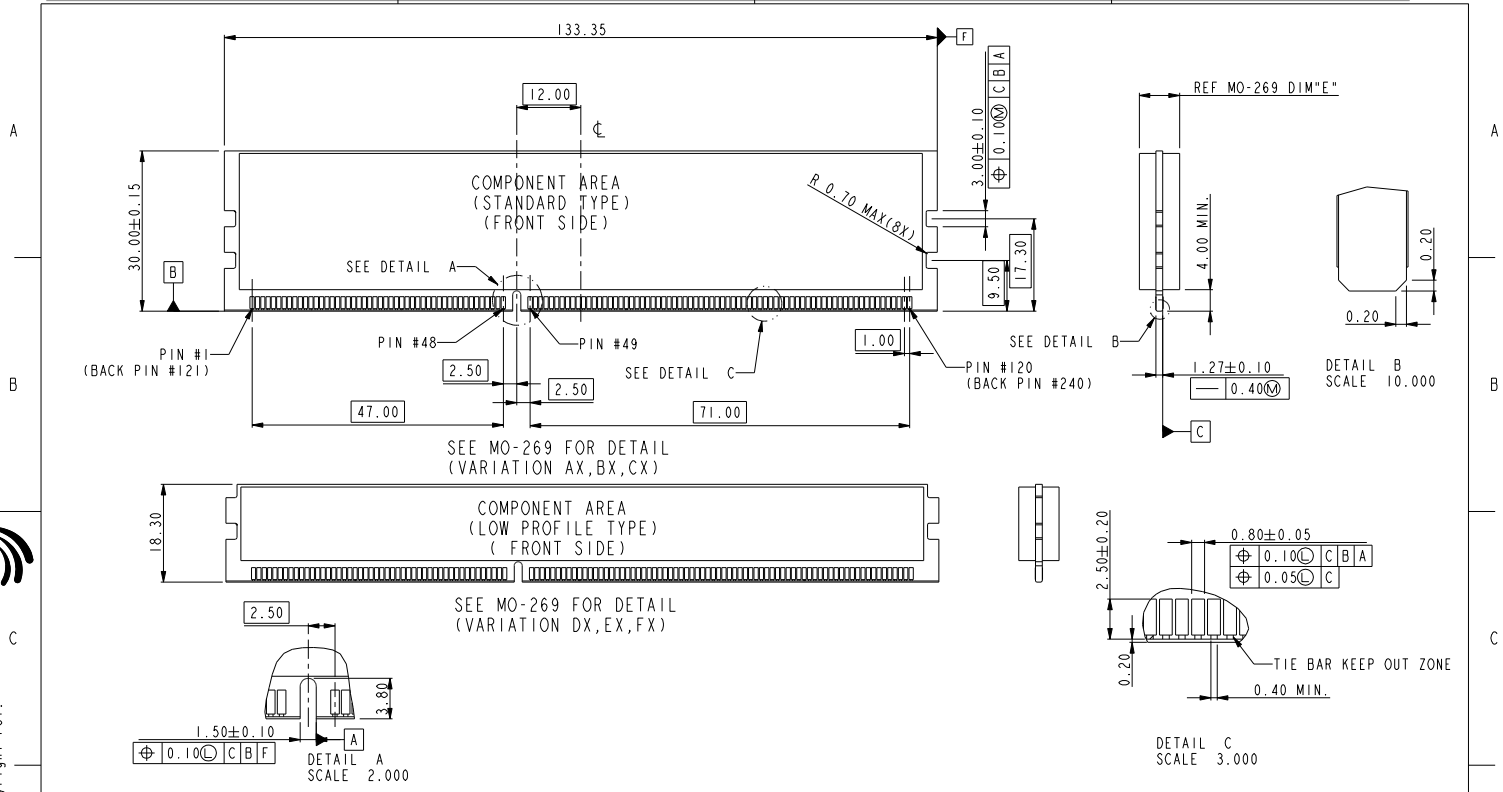
2

3

PDS: Rev :E

STATUS:Released

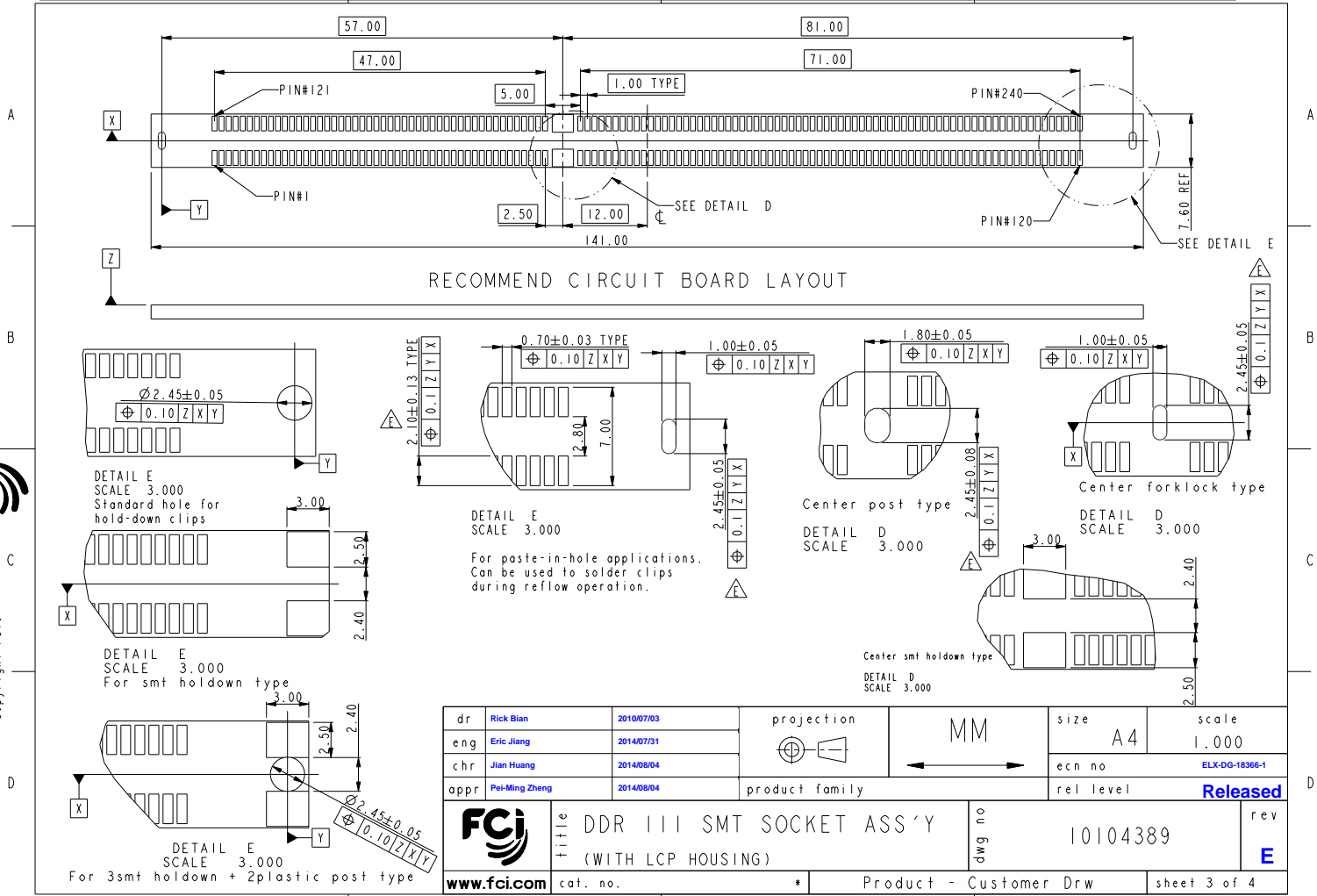
Printed: Aug 05, 2014



Copyright FCI.

dr	Rick Bian	2010/07/03	projection	MM	size	A4	scale	1.000
eng	Eric Jiang	2014/07/31			ecn no	ELX-DG-18366-1		
chr	Jian Huang	2014/08/04			rel level	Released		
appr	Pei-Ming Zheng	2014/08/04	product family	title		dwg no		rev
			DDR III SMT SOCKET ASS'Y (WITH LCP HOUSING)		10104389		E	
www.fci.com			cat. no.	*	Product - Customer Drw		sheet 2 of 4	

FILE F11 - REV C - 2009-06-09



Copyright FCI.

FILE F14 - REV C - 2009-08-09

2

3

4

A

SCALE 0.500
10104389-10***
CENTER SMT HOLDOWN TYPE

SCALE 0.500
10104389-11***
3 FORK LOCK TYPE

SCALE 0.500
10104389-12***
3 SMT HOLDOWN TYPE

SCALE 0.500
10104389-13***
3 SMT HOLDOWN AND 2 PLASTIC POST TYPE

SCALE 0.500
10104389-15***
3 PLASTIC POST TYPE

SEE DETAIL N
SEE DETAIL J
SEE DETAIL M

10104389 - □ □ □ □

STYLE : MECHANICAL KEYING
1 : 1.5 VOLT. W/ CENTER KEY

HOLD DOWN TYPE
0 : CENTER HOLD DOWN, FORKLOCK AT BOTH END
1 : 3 FORKLOCK TYPE
2 : 3 SMT HOLDOWN TYPE
3 : 3 SMT HOLDOWN AND 2 PLASTIC POST
5 : 3 PLASTIC POST TYPE

PACKAGE AND MYLAR OPTION
 0 : SOFT TRAY WITHOUT MYLAR (OBSOLETE)
 1 : HARD TRAY WITH MYLAR
 2 : HARD TRAY WITHOUT MYLAR
 3 : SOFT TRAY WITH MYLAR (OBSOLETE)
 4 : SPECIAL HARD TRAY WITH MYLAR
 5 : SPECIAL HARD TRAY WITHOUT MYLAR
 6 : SPECIAL HARD TRAY WITH MYLAR(24PCS/TRAY)

DETAIL N
SCALE 5.000

SCALE 0.500
WITH MYLAR TAPE (OPTIONAL)

PLATING

CODE	CONTACT	SOLDERTAIL	UNDERPLATE	NOTE
1LF	10u" (0.25um) MIN. GOLD			CONTACT NON-LUBRICANT
2LF	15u" (0.38um) MIN. GOLD			
3LF	30u" (0.76um) MIN. GOLD			
4LF	GOLD FLASH	100u" (2.54um) MIN. 100% MATT TIN	50u" (1.27um) MIN. NICKEL OVERALL	CONTACT LUBRICATED
5LF	10u" (0.25um) MIN. GOLD			
6LF	15u" (0.38um) MIN. GOLD			
7LF	30u" (0.76um) MIN. GOLD			
8LF	GOLD FLASH			

COLOR OF HOUSING AND EJECTOR
 0 : BLACK HOUSING + IVORY EJECTOR
 1 : BLACK HOUSING + BLACK EJECTOR
 2 : IVORY HOUSING + IVORY EJECTOR
 9 : IVORY HOUSING + BLACK EJECTOR

SECTION K-K
SCALE 5.000

DETAIL J
SCALE 5.000

DETAIL M
SCALE 5.000

NOTES:

- MATERIAL:
HOUSING: HIGH PERFORMANCE RESINS, GLASS FILLED UL94V-0 RATED.
EJECTOR: HIGH PERFORMANCE RESINS, GLASS FILLED UL94V-0 RATED.
TERMINAL: HIGH PERFORMANCE COPPER ALLOY
METAL CLIP: COPPER ALLOY.
- FCI LOGO TO BE APPROXIMATELY LOCATED AS SHOWN ON PRINT.
- PRODUCT SPECIFICATION: GS-12-486.
- PACKAGING SPECIFICATION: GS-14-899.
- RECOMMENDED STENCIL THICKNESS NO LESS THAN 0.15 mm.
- FOR OPTIMUM PERFORMANCE, THE TIE BAR IS TO BE ON AN INTERNAL LAYER SO THAT THE REMNANT CANNOT CAUSE CONTACT DAMAGE.
- THE DATE CODE IS SHOWN "MMDDYY*". "*" MEANS PRODUCTION LINE.
- THIS PRODUCT MEETS EUROPEAN UNION DIRECTIVES AND OTHER COUNTRY REGULATIONS AS DESCRIBED IN GS-22-008.
- THE HOUSING WILL WITH STAND EXPOSURE TO 260°C PEAK TEMPERATURE FOR 10 SECONDS IN AN IR REFLOW SOLDERING APPLICATION.
- PRODUCT APPLICATION SPEC GS-20-089.
- THE HOLDDOWN TYPES ARE OPTION FOR HOLDDOWN OR FORKLOCK.
- A SYMBOL WILL BE NEXT TO ANY DIMENSION, VIEW, OR NOTE WHICH HAS BEEN MODIFIED WITH THE CURRENT DRAWING REVISION.

Copyright FCI.

dr	Rick Bian	2010/07/03	projection	MM	size	A4	scale	1.000	
eng	Eric Jiang	2014/07/31		← →	ecn no	ELX-DG-18366-1			
chr	Jian Huang	2014/08/04			rel level	Released			
appr	Pei-Ming Zheng	2014/08/04	product family	DDR III SMT SOCKET ASS'Y (WITH LCP HOUSING)		rel level	Released		
		www.fci.com		cat. no.	*	Product - Customer Drw	sheet 4 of 4	rev	E

FILE F11 - REV C - 2009-08-09

1

2

3

PDS: Rev :E

STATUS:Released

Printed: Aug 05, 2014