

Excellent Integrated System Limited

Stocking Distributor

Click to view price, real time Inventory, Delivery & Lifecycle Information:

[FCI](#)

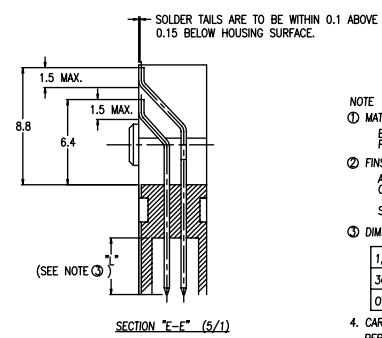
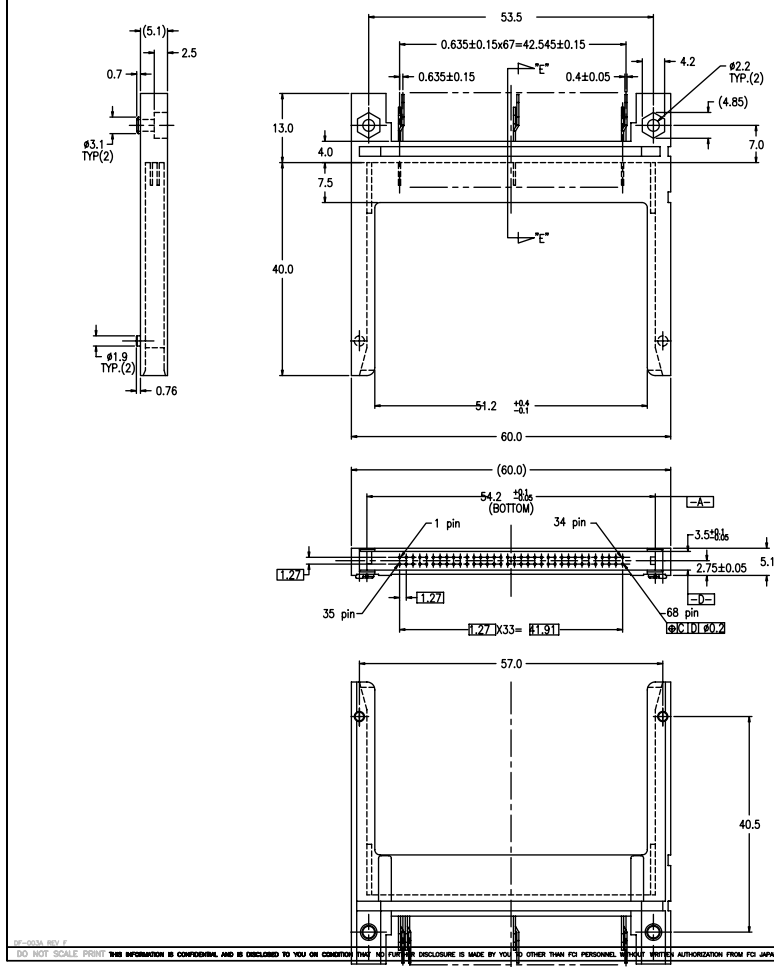
[92150-001LF](#)

For any questions, you can email us directly:

sales@integrated-circuit.com

PRODUCT No.	FINISH
92150-001	SEE NOTE 2
92150-001LF	SEE NOTE 5

REVISIONS				
REV	DESCRIPTION	ECN	BY	DATE
1	SKETCHED		KS	11/13/93
A	RELEASED	J30180	KS	6/10/93
B	REVISED	465-02791	M.Z	10/28/95



NOTE

① MATERIAL
BODY : LCP UL94V-0 BLACK
PIN : PHOSPHOR BRONZE

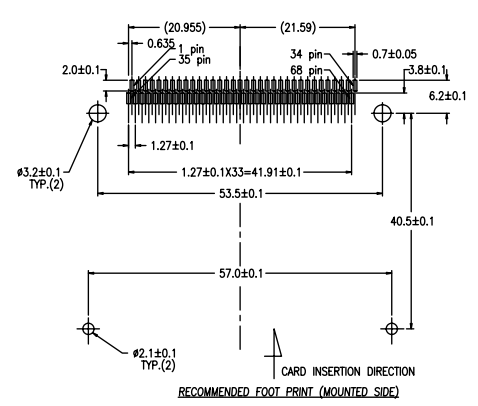
② FINISH(PIN)
ALL OVER : Ni UNDER PLATING 0.5µm THK MIN.
CONTACT AREA : Au 0.1µm THK MIN.
OVER Pd/Ni 0.5µm THK MIN.
SOLDER TAIL : Sn/Pb 2.5µm THK MIN.

③ DIMENSION "L"

1,17,34,35,51,68PIN	5.0±0.1
36,67PIN	3.5±0.1
OTHERS	4.25±0.1

4. CARD SLOT AND PIN DIMENSIONS PER JEIDA/PCMCIA STANDARDS

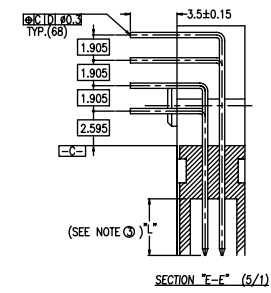
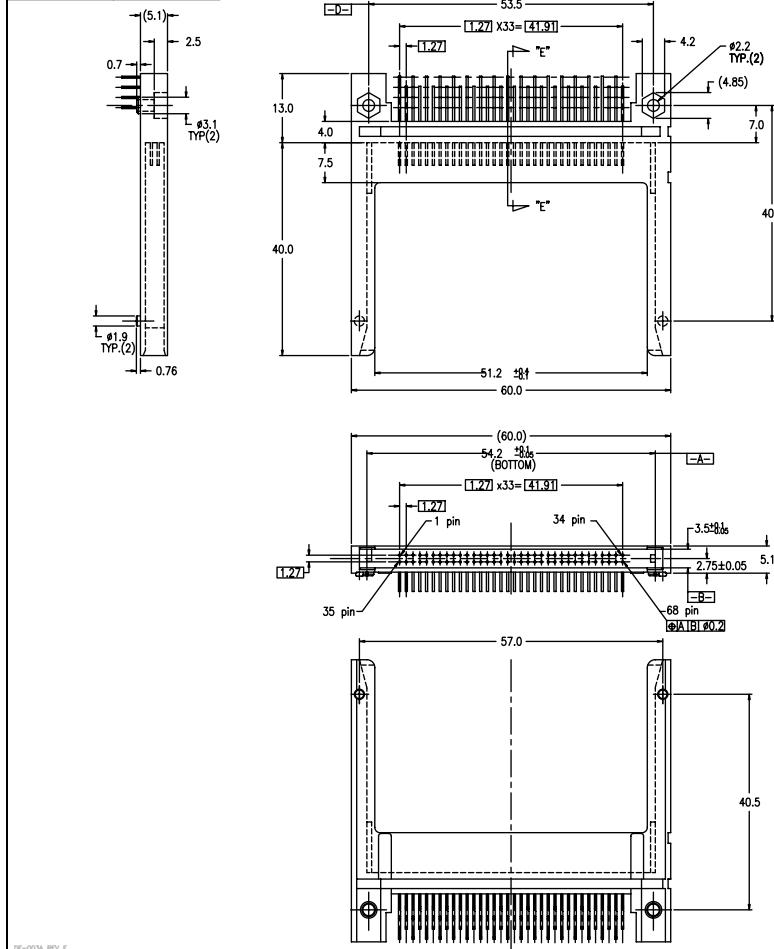
④ FINISH(PIN)
ALL OVER : Ni UNDER PLATING 0.5 µm THK MIN.
CONTACT AREA : Au 0.1µm THK MIN.
OVER Pd/Ni 0.5 µm THK MIN.
SOLDER TAIL : Sn 2.5µm THK MIN.



SHEET INDEX	ISSUE SH NO.	B	B	DATE	CUSTOMER COPY	TITLE
	1	2		7/19/95		68PINS. HEADER ASSY JEIDA/PCMCIA TYPE I, II, III
TOLERANCES UNLESS OTHERWISE SPECIFIED		MM		DATE	CUSTOMER COPY	TITLE
±0.3		FINISH		DATE	CUSTOMER COPY	TITLE
SEE NOTE ①		FINISH		DATE	CUSTOMER COPY	TITLE
ANGLES		FINISH		DATE	CUSTOMER COPY	TITLE

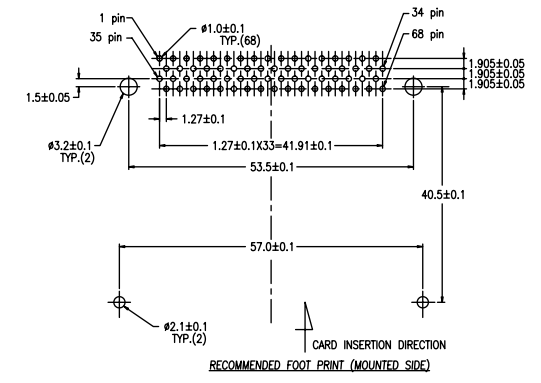
PRODUCT No.	FINISH
92150-002	SEE NOTE 2
92150-002LF	SEE NOTE 5

REVISIONS				
REV	DESCRIPTION	ECN	BY	DATE
1	SKETCHED		KS	11/13/02
A	RELEASED	J30180	KS	6/16/03
B	REVISED	465-02791	M.Z	10/28/05



- NOTE
- ① MATERIAL
BODY : LCP UL94V-0 BLACK
PIN : PHOSPHOR BRONZE
 - ② FINISH(PIN)
ALL OVER : Ni UNDER PLATING 0.5um THK MIN.
CONTACT AREA : Au 0.1um THK MIN.
OVER Pd/Ni 0.5um THK MIN.
SOLDER TAIL : Sn/Pb 2.5um THK MIN.
 - ③ DIMENSION "L"

1,17,34,35,51,68PIN	5.0±0.1
36,67PIN	3.5±0.1
OTHERS	4.25±0.1
 - ④ CARD SLOT AND PIN DIMENSIONS PER JEIDA/PCMCIA STANDARDS
 - ⑤ FINISH(PIN)
ALL OVER : Ni UNDER PLATING 0.5 um THK MIN.
CONTACT AREA : Au 0.1 um THK MIN.
OVER Pd/Ni 0.5 um THK MIN.
SOLDER TAIL : Sn 2.5um THK MIN.



DO NOT SCALE PRINT THIS INFORMATION IS CONFIDENTIAL AND IS DISCLOSED TO YOU ON CONDITION THAT NO FURTHER DISCLOSURE IS MADE BY YOU TO OTHER THAN FCI PERSONNEL WITHOUT WRITTEN AUTHORIZATION FROM FCI JAPAN K.K.

SHEET INDEX	ISSUE SH NO.	DATE	CUSTOMER COPY	TITLE
				88POS. HEADER ASSY JEIDA/PCMCIA TYPE I, II, III
LINEAR	±0.3	FINISH	DRK	PRODUCT FAMILY Header PCMCIA
ANGLES		DRK	UNIT	SCALE SIZE DWG. NO. 92150
		DRK		REV SHEET B 2 of