

## Excellent Integrated System Limited

Stocking Distributor

Click to view price, real time Inventory, Delivery & Lifecycle Information:

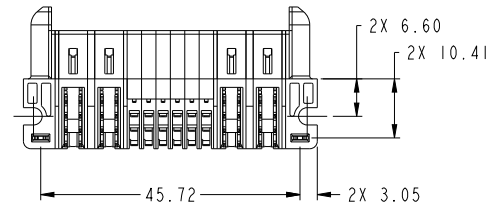
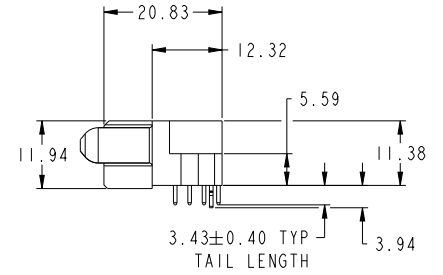
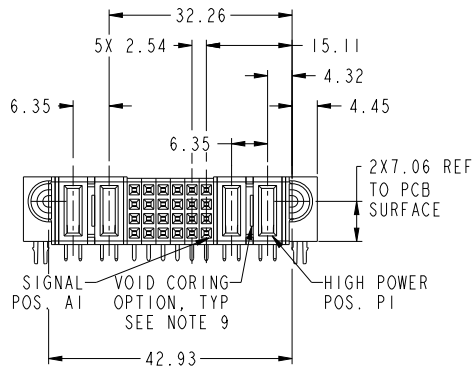
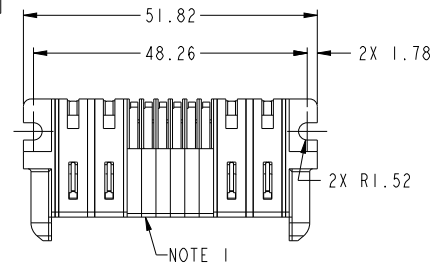
[FCI](#)

[10106126-4006002LF](#)

For any questions, you can email us directly:

[sales@integrated-circuit.com](mailto:sales@integrated-circuit.com)

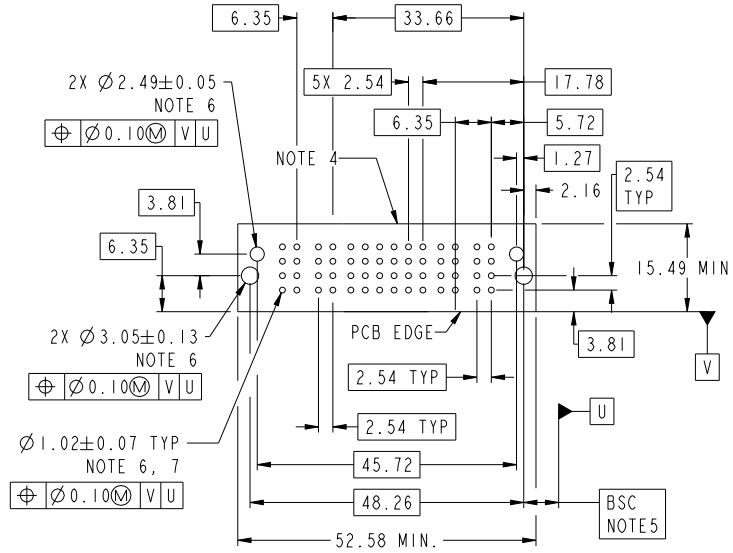
PRODUCT NUMBER SEE SHEET 2



spec ref	*	dr	Peng-Bing Fu	20121011	projection	MM	size	A3	scale	3:2
tolerance std	ASME Y14.5	eng	Peng-Bing Fu	20130213	chr		ecn no			
TOLERANCES UNLESS OTHERWISE SPECIFIED		appr	Pai-Ming Zhang	20130213	product family	PwrBlade+	rel level	Released		
surface	linear	0.X	±0.5		title	2HP + 24S + 2HP		eng no 10106126-4006002	rev A	
		0.XX	±0.25		www.fci.com	cat. no.	Product - Customer Drw			
	angular	0°	±2°			sheet 1 of 3				

PRODUCT NO.	ROWS	HP		SIGNAL						HP		
		E1	P4	P3	8	5	4	3	2	1	P2	P1
10106126-4006002LF	D C B A											

CODE	DESCRIPTION
E	STD SIGNAL CONTACT, ROW A
F	STD SIGNAL CONTACT, ROW B
G	STD SIGNAL CONTACT, ROW C
H	STD SIGNAL CONTACT, ROW D
H3	STD HIGH POWER CONTACT(3.43)
HA	METAL HOLD DOWN



dr	Peng-Bing Fu	20121011	projection	MM	size	A3	scale	3:2	
eng	Peng-Bing Fu	20130213			ecn no	-	rel level		
chr	-	-			PwrBlade+		Released		
appr	Pai-Ming Zhang	20130213	product family		rel level		Released		
			<b>FCI</b>			title 2HP + 24S + 2HP RA STB RECEPTACLE		eng no 10106126-4006002	rev A
www.fci.com			cat. no.		Product - Customer Drw		sheet 2 of 3		

NOTES:

- 1) "FCI", PART NUMBER AND DATE CODE TO BE MARKED ON THIS SURFACE.  
THE MARK CAN BE OMITTED IF THERE IS NOT ENOUGH SPACE ON THIS SURFACE.
- 2) MATERIALS:  
-HOUSING - GLASS FILLED WITH HIGH TEMP THERMOPLASTIC, UL94V-0.  
-SIGNAL CONTACT - COPPER ALLOY.  
-POWER CONTACT - HIGH CONDUCTIVITY COPPER ALLOY.
- 3) PLATING SPECIFICATION REFER TO FCI 10116351
- 4) DENOTES CONNECTOR KEEP OUT ZONE.
- 5) DATUM AND BASIC DIMENSIONS WERE ESTABLISHED BY CUSTOMER.
- 6) ALL HOLE DIAMETERS ARE FINISHED HOLE SIZES.
- 7)  $1.15 \pm 0.025$ MM DRILLED HOLE PLATED WITH 0.00762MM MIN Sn  
OVER 0.0254-0.0762MM Cu PLATING TO ACHIEVE A  $1.02 \pm 0.07$ MM HOLE.
- 8) PRODUCT SPECIFICATION REFER TO FCI GS-12-658.  
APPLICATION SPECIFICATION REFER TO FCI GS-20-141.  
PRODUCT PACKAGED IN TRAYS, REFER TO FCI GS-14-1502.
- 9) THE VOID CORING IN BETWEEN POWER MODULES, SIGNAL  
MODULES AND END MODULES ARE OPTIONAL AND THE SHAPE  
MAY BE DIFFERENT FOR OPTIMIZE THE MOLDING PROCESS. THE  
VOID CORING WILL NOT EFFECT TO PRODUCT FUNCTION.

dr	Peng-Bing Fu	2012/07/11	projection	MM	size	A3	scale	3:2
eng	Peng-Bing Fu	2013/02/13			ecn no.			
chr	-	-			rel level	Released		
appr	Pai-Ming Zhang	2013/02/13	product family	PwrBlade+				
			title 2HP + 24S +2HP RA STB RECEPTACLE		eng no. 10106126-4006002	rev A		
www.fci.com		cat. no.	Product - Customer Drw		sheet 3 of 3			



Copyright FCI.