

## Excellent Integrated System Limited

Stocking Distributor

Click to view price, real time Inventory, Delivery & Lifecycle Information:

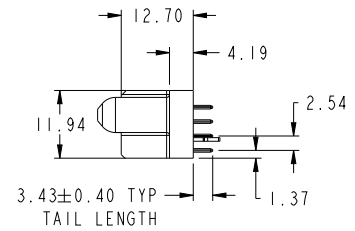
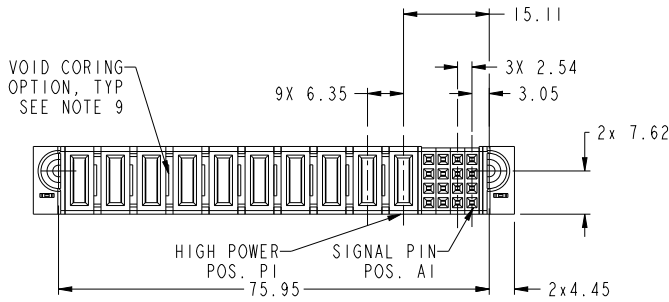
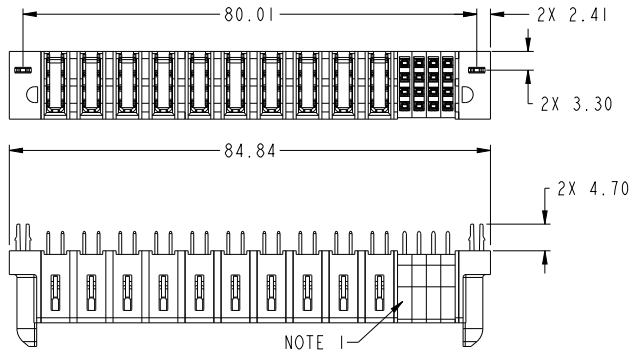
[FCI](#)

[10106130-A004101LF](#)

For any questions, you can email us directly:

[sales@integrated-circuit.com](mailto:sales@integrated-circuit.com)

PRODUCT NUMBER SEE SHEET 2



spec ref	dr	Peng-Bing Fu	20130202	projection	MM	size	A3	scale	3:2
tolerance std	eng	Peng-Bing Fu	20130212			ecn no	-	rel level	Released
ASME Y14.5	chr	-	appr						
TOLERANCES UNLESS OTHERWISE SPECIFIED				<b>16S + 10HP</b> <b>VTSTB RECEPTACLE</b>		<b>10106130-A004101</b>		<b>rev</b> <b>A</b>	
surface	linear	0.X	±0.50	www.fci.com		cat. no.		Product - Customer Drw	
		0.XX	±0.25						
		0.XXX	±0.10						
ASME Y14.5	angular	0°	±2°					sheet 1 of 3	

Prod File - REC C - 2009-04-09

1

2

3

PDS: Rev :A

STATUS:Released

Printed: Mar 13, 2013



Copyright FCI.



NOTES:

- 1) "FCI", PART NUMBER AND DATE CODE TO BE MARKED ON THIS SURFACE.  
THE MARK CAN BE OMITTED IF THERE IS NOT ENOUGH SPACE ON THIS SURFACE.
- 2) MATERIALS:  
-HOUSING - GLASS FILLED WITH HIGH TEMP THERMOPLASTIC, UL94V-0.  
-SIGNAL CONTACT - COPPER ALLOY.  
-POWER CONTACT - HIGH CONDUCTIVITY COPPER ALLOY.
- 3) PLATING SPECIFICATION REFER TO FCI 10124315
- 4) DENOTES CONNECTOR KEEP OUT ZONE.
- 5) DATUM AND BASIC DIMENSIONS WERE ESTABLISHED BY CUSTOMER.
- 6) ALL HOLE DIAMETERS ARE FINISHED HOLE SIZES.
- 7) 1.15 ± 0.025MM DRILLED HOLE PLATED WITH 0.00762MM MIN Sn  
OVER 0.0254-0.0762MM Cu PLATING TO ACHIEVE A 1.02 ± 0.07MM HOLE.
- 8) PRODUCT SPECIFICATION REFER TO FCI GS-12-658.  
APPLICATION SPECIFICATION REFER TO FCI GS-20-141.  
PRODUCT PACKAGED IN TRAYS, REFER TO FCI GS-14-1502.
- 9) THE VOID CORING IN BETWEEN POWER MODULES, SIGNAL  
MODULES AND END MODULES ARE OPTIONAL AND THE SHAPE  
MAY BE DIFFERENT FOR OPTIMIZE THE MOLDING PROCESS. THE  
VOID CORING WILL NOT EFFECT TO PRODUCT FUNCTION.

dr	Peng-Bing Fu	2013/02/22	projection	MM	size	A3	scale	1:1	
eng	Peng-Bing Fu	2013/02/12			ecn no				
chr	-	-			rel level	Released			
appr	Pai-Ming Zhang	2013/02/12	product family	PowerBlade+					
		title	16S + 10HP VTSTB RECEPTACLE		eng no	10106130-A004101		rev	A
www.fci.com		cat. no.	Product - Customer Drw		sheet 3 of 3				



Copyright © FCI.