

## Excellent Integrated System Limited

Stocking Distributor

Click to view price, real time Inventory, Delivery & Lifecycle Information:

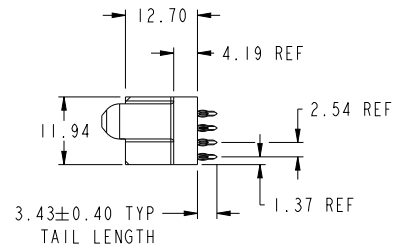
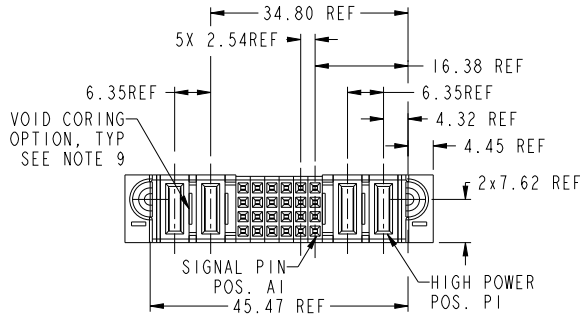
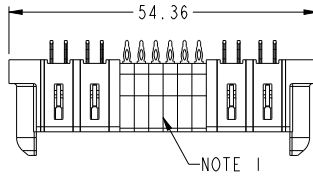
[FCI](#)

[10106131-4006202LF](#)

For any questions, you can email us directly:

[sales@integrated-circuit.com](mailto:sales@integrated-circuit.com)

PRODUCT NUMBER SEE SHEET 2



spec ref	dr	Xin Bao	20131022	projection	MM	size	A3	scale	3:2		
tolerance std	eng	Eddy Zeng	20131107			ecn no	rel level	Released	rev		
ASME Y14.5	chr	Li-Hu	20131104							product family	PowerBlade+
TOLERANCES UNLESS OTHERWISE SPECIFIED		appr	Pai-Ming Zhang							20131107	
surface	linear	0.X	±0.50			eng no	10106131-4006202				
		0.XX	±0.25	www.fci.com		cat. no.		Product - Customer Drw	sheet 1 of 3		
		0.XXX	±0.10	title 2P + 24S + 2P VT PF RECEPTACLE							
ASME Y14.5	angular	0°	±2°	3 PDS: Rev :A				STATUS:Released	Printed: Nov 07, 2013		

Prod File - REC C - 2009-04-09

1

2

3

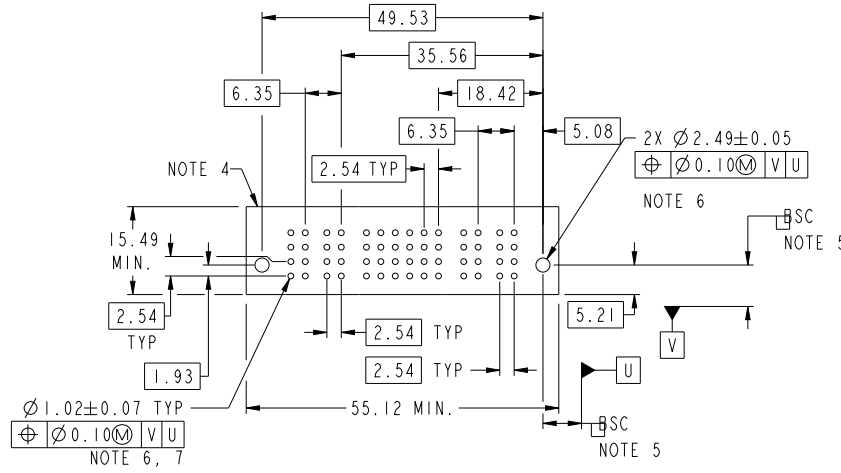
PDS: Rev :A

STATUS:Released

Printed: Nov 07, 2013

Copyright FCI.

PRODUCT NO.	ROWS	HP		SIGNAL					HP		CODE	DESCRIPTION					
		E1	P4	P3	6	5	4	3	2	1			P2	P1	E2	F	STD SIGNAL CONTACT
10106131-4006202LF	D C B A		HG	HG	F	F	F	F	F	F	F	F	HG	HG		HG	STD HIGH POWER CONTACT (3.43)



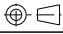


dr	Xin Bao	201311023	projection	MM	size	A3	scale	3:2
eng	Eddy Zeng	201311007		←	ecn no.			
chr	Li-Hu	201311004			product family	PowerBlade+	rel level	Released
appr	Pai-Ming Zhang	201311007	FCI		title	2P + 24S + 2P		rev
www.fci.com					cat. no.	10106131-4006202		A
					Product - Customer Draw		sheet 2 of 3	



Copyright FCI.

NOTES:

- 1) "FCI", PART NUMBER AND DATE CODE TO BE MARKED ON THIS SURFACE.  
THE MARK CAN BE OMITTED IF THERE IS NOT ENOUGH SPACE ON THIS SURFACE.
- 2) MATERIALS:  
-HOUSING - GLASS FILLED WITH HIGH TEMP THERMOPLASTIC, UL94V-0.  
-SIGNAL CONTACT - COPPER ALLOY.  
-POWER CONTACT - HIGH CONDUCTIVITY COPPER ALLOY.
- 3) PLATING SPECIFICATION REFER TO FCI 10123565.
- 4) DENOTES CONNECTOR KEEP OUT ZONE.
- 5) DATUM AND BASIC DIMENSIONS WERE ESTABLISHED BY CUSTOMER.
- 6) ALL HOLE DIAMETERS ARE FINISHED HOLE SIZES.
- 7)  $1.15 \pm 0.025$ MM DRILLED HOLE PLATED WITH 0.00762MM MIN Sn  
OVER 0.0254-0.0762MM Cu PLATING TO ACHIEVE A  $1.02 \pm 0.07$ MM HOLE.
- 8) PRODUCT SPECIFICATION REFER TO FCI GS-12-658.  
APPLICATION SPECIFICATION REFER TO FCI GS-20-141.  
PRODUCT PACKAGED IN TRAYS, REFER TO FCI GS-14-1502.
- 9) THE VOID CORING IN BETWEEN POWER MODULES, SIGNAL  
MODULES AND END MODULES ARE OPTIONAL AND THE SHAPE  
MAY BE DIFFERENT FOR OPTIMIZE THE MOLDING PROCESS. THE  
VOID CORING WILL NOT EFFECT TO PRODUCT FUNCTION.

dr	Xin Bao	20131023	projection	MM	size	A3	scale	1:1
eng	Eddy Zeng	20131107			ecn no			
chr	Li-Hu	20131104			rel level			
appr	Pai-Ming Zhang	20131107	product family	PowerBlade+				Released
			title 2P + 24S + 2P VT PF RECEPTACLE		eng no 10106131-4006202		rev A	
www.fci.com			cat. no.		Product - Customer Drw		sheet 3 of 3	



Copyright FCI.