

Excellent Integrated System Limited

Stocking Distributor

Click to view price, real time Inventory, Delivery & Lifecycle Information:

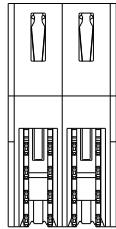
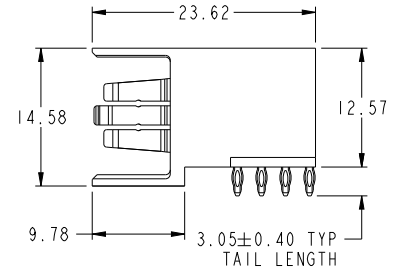
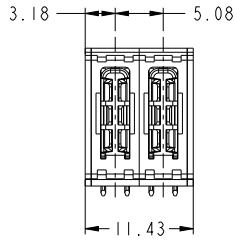
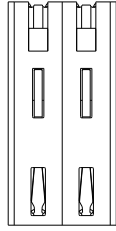
[FCI](#)

[10106133-2000005LF](#)

For any questions, you can email us directly:

sales@integrated-circuit.com

PRODUCT NUMBER SEE SHEET 2



spec ref	*	dr	Rainbow Zhan	2014/09/22	projection	MM	size	A3	scale	3:2		
tolerance std	ASME Y14.5	TOLERANCES UNLESS OTHERWISE SPECIFIED	eng	Rainbow Zhan	2014/09/28		ecn no		rel level	Released		
surface	linear	0.X ±0.5	chr	Li-Hu	2014/09/28		product family	PwrBlade+	cat. no.	10106133-2000005	rev	A
	angular	0° ±2°	appr	Pai-Ming Zhang	2014/09/28		Product - Customer Drw	sheet 1 of 3				

Prod File - REC C - 2009-04-20

1

2

3

PDS: Rev :A

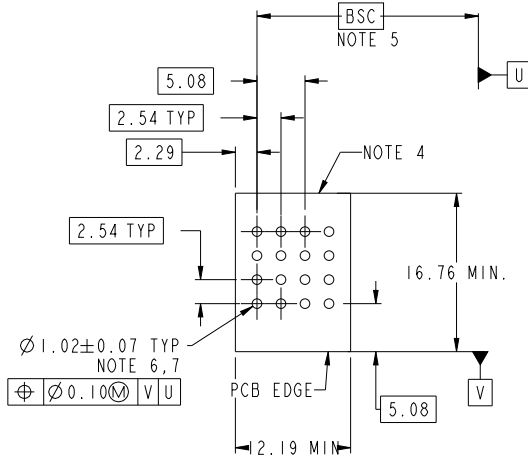
STATUS:Released

Printed: Sep 29, 2014



Copyright © FCI.

PRODUCT NO.	ROWS	HP			
		E1	P1	P2	E2
10106133-2000005LF	D C B A	HE		HE	



dr	Rainbow Zhan	2014/09/22	projection	MM	size	A3	scale	3:2	
eng	Rainbow Zhan	2014/09/28			ecn no.				
chr	Li-Hu	2014/09/28			rel level	Released			
appr	Pai-Ming Zhang	2014/09/28	product family	PwrBlade+					
			title	2HDP RA PF HEADER		eng no.	10106133-2000005	rev	A
www.fci.com			cat. no.	Product - Customer Drw		sheet 2 of 3			

CODE	DESCRIPTION
HE	STD HIGH POWER CONTACT (3.05)

Part File - HE C - 2009-04-29

1

2

3

PDS: Rev :A

STATUS:Released

Printed: Sep 29, 2014



Copyright FCI.

NOTES:

- 1) "FCI", PART NUMBER AND DATE CODE TO BE MARKED ON THIS SURFACE.
THE MARK CAN BE OMITTED IF THERE IS NOT ENOUGH SPACE ON THIS SURFACE.
- 2) MATERIALS:
-HOUSING - GLASS FILLED WITH HIGH TEMP THERMOPLASTIC, UL94V-0.
-SIGNAL CONTACT - COPPER ALLOY.
-POWER CONTACT - HIGH CONDUCTIVITY COPPER ALLOY.
- 3) PLATING SPECIFICATION REFER TO FCI 10116351
- 4) DENOTES CONNECTOR KEEP OUT ZONE.
- 5) DATUM AND BASIC DIMENSIONS WERE ESTABLISHED BY CUSTOMER.
- 6) ALL HOLE DIAMETERS ARE FINISHED HOLE SIZES.
- 7) 1.15 ± 0.025 MM DRILLED HOLE PLATED WITH 0.00762MM MIN Sn
OVER 0.0254-0.0762MM Cu PLATING TO ACHIEVE A 1.02 ± 0.07 MM HOLE.
- 8) PRODUCT SPECIFICATION REFER TO FCI GS-12-658.
APPLICATION SPECIFICATION REFER TO FCI GS-20-141.
PRODUCT PACKAGED IN TRAYS, REFER TO FCI GS-14-1502.

dr	Rainbow Zhan	201409022	projection	MM	size	A3	scale	3:2	
eng	Rainbow Zhan	201409028			ecn no	-			
chr	Li-Hu	201409028			rel level	Released			
appr	Pai-Ming Zhang	201409028	product family	PwrBlade+					
			title	2HDP RA PF HEADER		eng no	10106133-2000005	rev	A
www.fci.com			cat. no.	Product - Customer Drw		sheet 3 of 3			



Copyright FCI.