

## Excellent Integrated System Limited

Stocking Distributor

Click to view price, real time Inventory, Delivery & Lifecycle Information:

[FCI](#)

[10106139-2000201LF](#)

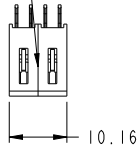
For any questions, you can email us directly:

[sales@integrated-circuit.com](mailto:sales@integrated-circuit.com)

PRODUCT NUMBER SEE SHEET 2



NOTE 1



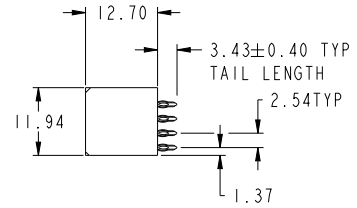
5.08



GUIDE SLOT ON BOTH SIDE OPTION  $\triangle B$

HIGH POWER POS. P1

$\triangle B$  VOID CORING OPTION, TYP SEE NOTE 9



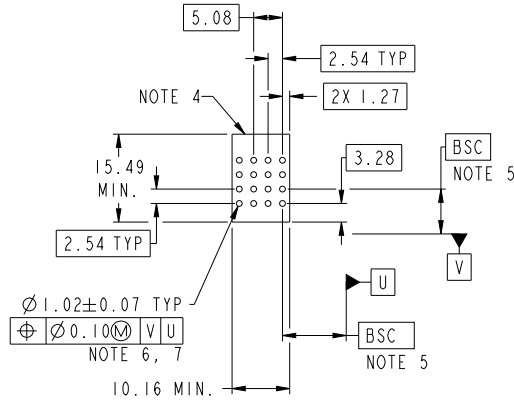
spec ref	dr		Hebin Zhang	20150907	projection	MM	size	A3	scale	3:2							
tolerance std	eng		Vickiing Liu	20150915	$\oplus$	←	ecn no	ELX-00-21888-1	rel level	Released							
ASME Y14.5	chr		Fancy Zhang	20150921							product family	PowerBlade+					
TOLERANCES UNLESS OTHERWISE SPECIFIED		appr		Pai-Ming Zhang	20150921												
surface	linear	0.X	±0.50	<b>FCI</b>		www.fci.com		cat. no.		Product - Customer Drw		sheet 1 of 3					
ASME Y14.5	angular	0.XX	±0.25														
		0.XXX	±0.10														
		0°	±2°	title		2HDP		VT PF RECEPTACLE		eng no		10106139-2000201		rev		B	



Copyright © FCI.

PRODUCT NO.	ROWS	HP			
		E1	P2	P1	E2
10106139-2000201LF	D C B A		HG	HG	

CODE	DESCRIPTION
HG	STD HIGH POWER CONTACT (3.43)



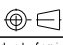
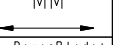

dr	Hebin Zhang	2015/09/07	projection	MM	size	A3	scale	3:2
eng	Vickiing Liu	2015/09/15			ecn no	ELX-00-21668-1		
chr	Fancy Zhang	2015/09/21			product family	PowerBlade+	rel level	Released
appr	Pai-Ming Zhang	2015/09/21			eng no	10106139-2000201		rev
www.fci.com			title 2HDP VT PF RECEPTACLE		cat. no. Product - Customer Drw		sheet 2 of 3	



Copyright © FCI.

NOTES:

- 1) "FCI", PART NUMBER AND DATE CODE TO BE MARKED ON THIS SURFACE.  
THE MARK CAN BE OMITTED IF THERE IS NOT ENOUGH SPACE ON THIS SURFACE.
- 2) MATERIALS:  
-HOUSING - GLASS FILLED WITH HIGH TEMP THERMOPLASTIC, UL94V-0.  
-SIGNAL CONTACT - COPPER ALLOY.  
-POWER CONTACT - HIGH CONDUCTIVITY COPPER ALLOY.
- 3) PLATING SPECIFICATION: 10123565
- 4) DENOTES CONNECTOR KEEP OUT ZONE.
- 5) DATUM AND BASIC DIMENSIONS ARE ESTABLISHED BY CUSTOMER.
- 6) ALL HOLE DIAMETERS ARE FINISHED HOLE SIZES.
- 7)  $1.15 \pm 0.025$ MM DRILLED HOLE PLATED WITH 0.00762MM MIN Sn  
OVER 0.0254-0.0762MM Cu PLATING TO ACHIEVE A  $1.02 \pm 0.07$ MM HOLE.
- 8) PRODUCT SPECIFICATION: GS-12-658.  
APPLICATION SPECIFICATION: GS-20-141.  
PRODUCT PACKAGED IN TRAYS: GS-14-1502.
- 9) THE VOID CORING IN BETWEEN POWER MODULES, SIGNAL  
MODULES AND END MODULES ARE OPTIONAL AND THE SHAPE  
MAY BE DIFFERENT FOR OPTIMIZING THE MOLDING PROCESS. THE  
VOID CORING WILL NOT EFFECT TO PRODUCT FUNCTION.
- 10) AΔSYMBOL WILL BE NEXT TO ANY DIMENSION,VIEW,OR NOTE  
WHICH HAS BEEN MODIFIED WITH THE CURRENT DRAWING REVISION.

dr	Helei Zhang	20150907	projection	MM	size	A3	scale	1:1
eng	Vickiing Liu	20150915			ecn no	ELX-00-21888-1		
chr	Fancy Zhang	20150921			product family	PowerBlade+	rel level	Released
appr	Pai-Ming Zhang	20150921			cat. no.	10106139-2000201		rev
		title 2HDP VT PF RECEPTACLE		www.fci.com		Product - Customer Draw		B
cat. no.		3		PDS: Rev:B		STATUS:Released		sheet 3 of 3



Copyright FCI.