

Excellent Integrated System Limited

Stocking Distributor

Click to view price, real time Inventory, Delivery & Lifecycle Information:

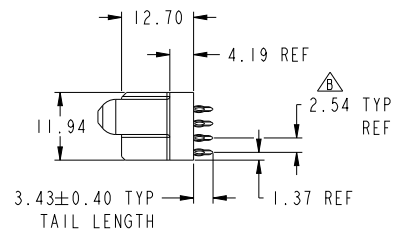
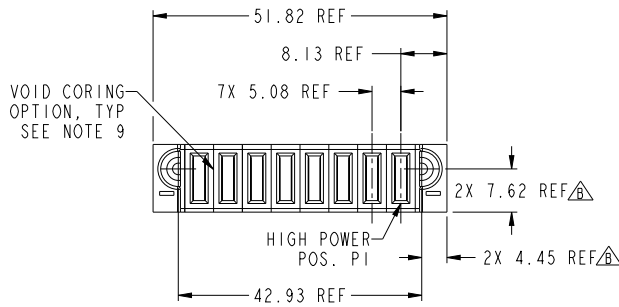
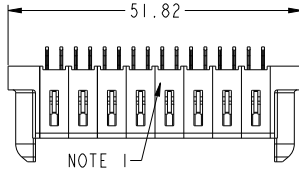
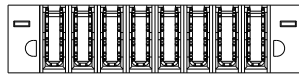
[FCI](#)

[10106139-8000001LF](#)

For any questions, you can email us directly:

sales@integrated-circuit.com

PRODUCT NUMBER SEE SHEET 2



spec ref	dr	Peng-Bing Fu	20120402	projection	MM	size	A3	scale	3:2			
tolerance std	eng	Peng-Bing Fu	20121115			ecn no	ELX-00-01546-1	rel level	Released			
ASME Y14.5	TOLERANCES UNLESS OTHERWISE SPECIFIED	chr	Tian-Xu Huang							20121115	product family	PowerBlade+
		appr	Pai-Ming Zhang							20121115		
surface	linear	0.X	±0.50			title 8HDP VT PF RECEPTACLE	eng no 10106139-8000001	rev B				
		0.XX	±0.25									
		0.XXX	±0.10									
ASME Y14.5	angular	0°	±2°	www.fci.com	cat. no.	Product - Customer Drw	sheet 1 of 3					

Prod File - REV C - 2009-04-09

1

2

3

PDS: Rev B

STATUS: Released

Printed: Nov 14, 2012

Copyright FCI.

NOTES:

- 1) "FCI", PART NUMBER AND DATE CODE TO BE MARKED ON THIS SURFACE. THE P/N CAN BE OMITTED IF THERE IS NOT ENOUGH SPACE ON THIS SURFACE.
- 2) MATERIALS:
 -HOUSING - GLASS FILLED WITH HIGH TEMP THERMOPLASTIC, UL94V-0.
 -SIGNAL CONTACT - COPPER ALLOY.
 -POWER CONTACT - HIGH CONDUCTIVITY COPPER ALLOY.
- 3) PLATING SPECIFICATION REFER TO FCI 10116351
- 4) DENOTES CONNECTOR KEEP OUT ZONE.
- 5) DATUM AND BASIC DIMENSIONS WERE ESTABLISHED BY CUSTOMER.
- 6) ALL HOLE DIAMETERS ARE FINISHED HOLE SIZES.
- 7) 1.15 ± 0.025 MM DRILLED HOLE PLATED WITH 0.00762MM MIN Sn OVER 0.0254-0.0762MM Cu PLATING TO ACHIEVE A 1.02 ± 0.07 MM HOLE.
- 8) PRODUCT SPECIFICATION REFER TO FCI GS-12-658. APPLICATION SPECIFICATION REFER TO FCI GS-20-141. PRODUCT PACKAGED IN TRAYS, REFER TO FCI GS-14-1502.
- 9) THE VOID CORING IN BETWEEN POWER MODULES, SIGNAL MODULES AND END MODULES ARE OPTIONAL AND THE SHAPE MAY BE DIFFERENT FOR OPTIMIZE THE MOLDING PROCESS. THE VOID CORING WILL NOT EFFECT TO PRODUCT FUNCTION.
- 10) A \triangle SYMBOL WILL BE NEXT TO ANY DIMENSION, VIEW, OR NOTE WHICH HAS BEEN MODIFIED WITH THE CURRENT DRAWING REVISION.



Copyright FCI.

spec ref	dr Peng-Bing Fu 20120422		projection	MM	size A3	scale 1:1	
tolerance std	eng Peng-Bing Fu 20121113				ecn no ELX-00-01346-1	rel level Released	
ASME Y14.5	chr Tian-Xu Huang 20121113						product family PowerBlade+
TOLERANCES UNLESS OTHERWISE SPECIFIED			appr Pei-Ming Zhang 20121113				
surface <input checked="" type="checkbox"/>	linear	0.X	± 0.50		title 8HDP VT PF RECEPTACLE	eng no 10106139-8000001	rev B
		0.XX	± 0.25				
		0.XXX	± 0.10				
ASME Y14.5	angular	0°	$\pm 2^\circ$	www.fci.com	cat. no.	Product - Customer Draw	sheet 3 of 3

Prod File - REV C - 2009-04-29

1

2

3

PDS: Rev :B

STATUS:Released

Printed: Nov 14, 2012