

## Excellent Integrated System Limited

Stocking Distributor

Click to view price, real time Inventory, Delivery & Lifecycle Information:

[FCI](#)

[10106262-5203001LF](#)

For any questions, you can email us directly:

[sales@integrated-circuit.com](mailto:sales@integrated-circuit.com)

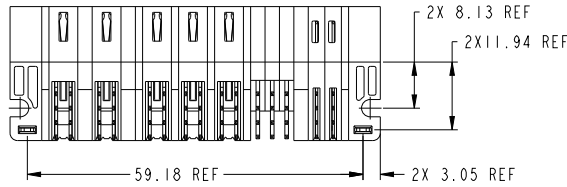
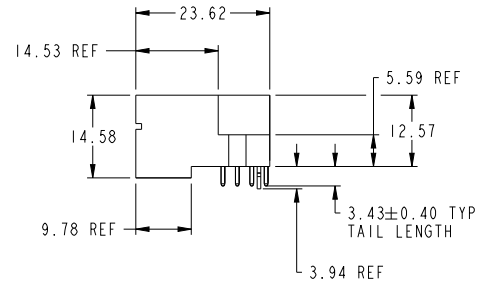
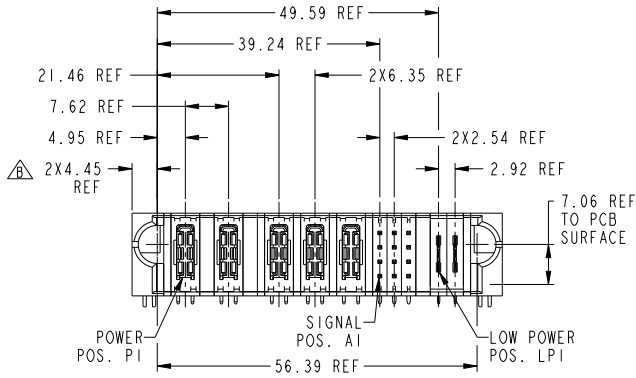
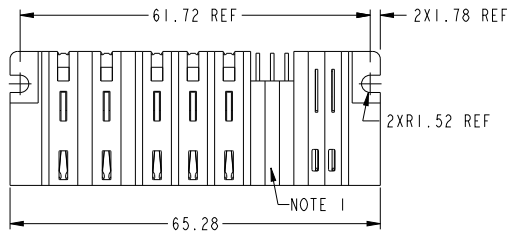
PRODUCT NUMBER SEE SHEET 2

A

B

C

D



spec ref	*	dr	Peng-Bing Fu	20120503	projection	MM	size	A3	scale	3:2
tolerance std	ASME Y14.5	eng	Peng-Bing Fu	20121014			ecn no	ELX-00-01843-1	rel level	Released
TOLERANCES UNLESS OTHERWISE SPECIFIED		chr	Shao-Qi Kuang	20121115						
surface	linear	appr	Pai-Ming Zhang	20121115	www.fci.com		cat. no.	10106262-5203001	rev	B
ASME Y14.5	angular						Product - Customer Drw	sheet 1 of 3		

Prod File - REV C - 2009-04-09

1

2

3

PDS: Rev B

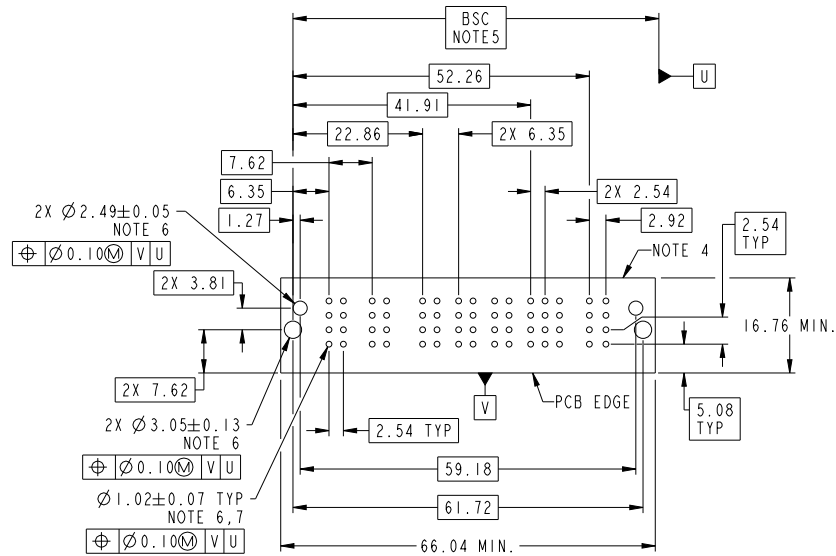
STATUS: Released

Printed: Nov 16, 2012



Copyright FCI.

PRODUCT NO.	ROWS	HIGH POWER					SIG			LP			
		E1	P1	P2	P3	P4	P5	1	2	3	LP1	LP2	E2
10106262-5203001LF	D C B A												

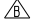




CODE	DESCRIPTION
H	MLBF SIGNAL CONTACT, ROW D (3.43)
HI	STD HIGH POWER CONTACT (3.43)
HA	METAL HOLD DOWN
LK	STD LOW POWER CONTACT (3.43)
R	STD SIGNAL CONTACT, ROW A (3.43)
S	STD SIGNAL CONTACT, ROW B (3.43)
T	STD SIGNAL CONTACT, ROW C (3.43)
U	STD SIGNAL CONTACT, ROW D (3.43)

dr	Peng-Bing Fu	20120502	projection	MM	size	A3	scale	3:2
eng	Peng-Bing Fu	20121014		PwrBlade+	ecn no	ELX-00-01843-1		
chr	Shao-Qi Huang	20121115			rel level	Released		
appr	Pai-Ming Zhang	20121115	product family		10106262-5203001			
www.fci.com			title		2ACP + 3HP + 12S + 2LP		rev	
			RA SOLDER HEADER		eng no		B	
cat. no.			Product - Customer Drw		sheet 2 of 3			

Copyright FCI.

NOTES:

- 1) "FCI", PART NUMBER AND DATE CODE TO BE MARKED ON THIS SURFACE.  
THE P/N CAN BE OMITTED IF THERE IS NOT ENOUGH SPACE ON THIS SURFACE.
- 2) MATERIALS:  
-HOUSING - GLASS FILLED WITH HIGH TEMP THERMOPLASTIC, UL94V-0.  
-SIGNAL CONTACT - COPPER ALLOY.  
-POWER CONTACT - HIGH CONDUCTIVITY COPPER ALLOY.
- 3) PLATING SPECIFICATION REFER TO FCI 10116351
- 4) DENOTES CONNECTOR KEEP OUT ZONE.
- 5) DATUM AND BASIC DIMENSIONS WERE ESTABLISHED BY CUSTOMER.
- 6) ALL HOLE DIAMETERS ARE FINISHED HOLE SIZES.
- 7)  $1.15 \pm 0.025$ MM DRILLED HOLE PLATED WITH 0.00762MM MIN Sn  
OVER 0.0254-0.0762MM Cu PLATING TO ACHIEVE A  $1.02 \pm 0.07$ MM HOLE.
- 8) PRODUCT SPECIFICATION REFER TO FCI GS-12-658.  
APPLICATION SPECIFICATION REFER TO FCI GS-20-141.  
PRODUCT PACKAGED IN TRAYS, REFER TO FCI GS-14-1502.
- 9) A  SYMBOL WILL BE NEXT TO ANY DIMENSION, VIEW, OR NOTE WHICH HAS BEEN MODIFIED WITH THE CURRENT DRAWING REVISION

dr	Peng-Bing Fu	20120503	projection	MM	size	A3	scale	3:2
eng	Peng-Bing Fu	20121014		← PwrBlade+ →	ecp no	ELX-00-01843-1		
chr	Shao-Qi Kuang	20121115			rel level	Released		
appr	Pai-Ming Zhang	20121115	product family	PwrBlade+				
		title		2ACP + 3HP + 12S + 2LP		eng no		10106262-5203001
www.fci.com		cat. no.		RA SOLDER HEADER		rev		B
Product - Customer Draw			sheet 3 of 3					



Copyright © FCI.