

Excellent Integrated System Limited

Stocking Distributor

Click to view price, real time Inventory, Delivery & Lifecycle Information:

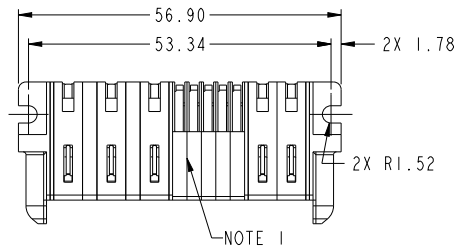
[FCI](#)

[10106264-5005001LF](#)

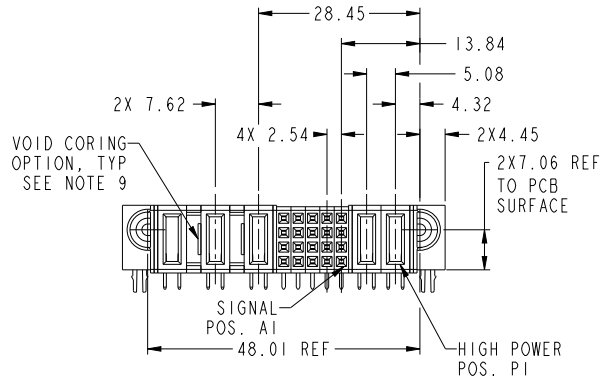
For any questions, you can email us directly:

sales@integrated-circuit.com

PRODUCT NUMBER SEE SHEET 2



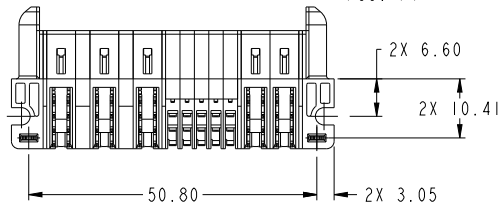
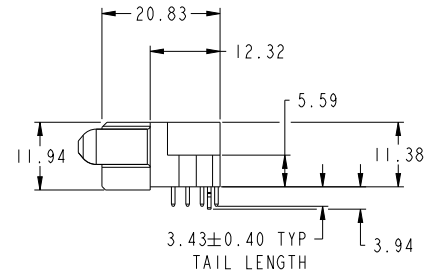
NOTE 1



VOID CORING
OPTION, TYP
SEE NOTE 9

SIGNAL
POS. A1

HIGH POWER
POS. P1



spec ref	*	dr	Peng-Bing Fu	20120909	projection	MM	size	A3	scale	3:2
tolerance std	ASME Y14.5	eng	Peng-Bing Fu	20130213	chr		ecn no			
TOLERANCES UNLESS OTHERWISE SPECIFIED		appr	Pai-Ming Zhang	20130213	product family	PwrBlade+	rel level	Released		
surface	linear	0.X	±0.5		title	2HP + 20S + 3HP		eng no 10106264-5005001	rev A	
		0.XX	±0.25		cat. no. www.fci.com	Product - Customer Drw	sheet 1 of 3			
	angular	0°	±2°							

Prod File - REV C - 2009-04-09

1

2

3

PDS: Rev :A

STATUS:Released

Printed: Mar 13, 2013



Copyright FCI.

NOTES:

- 1) "FCI", PART NUMBER AND DATE CODE TO BE MARKED ON THIS SURFACE.
THE MARK CAN BE OMITTED IF THERE IS NOT ENOUGH SPACE ON THIS SURFACE.
- 2) MATERIALS:
-HOUSING - GLASS FILLED WITH HIGH TEMP THERMOPLASTIC, UL94V-0.
-SIGNAL CONTACT - COPPER ALLOY.
-POWER CONTACT - HIGH CONDUCTIVITY COPPER ALLOY.
- 3) PLATING SPECIFICATION REFER TO FCI 10116351
- 4) DENOTES CONNECTOR KEEP OUT ZONE.
- 5) DATUM AND BASIC DIMENSIONS WERE ESTABLISHED BY CUSTOMER.
- 6) ALL HOLE DIAMETERS ARE FINISHED HOLE SIZES.
- 7) 1.15 ± 0.025 MM DRILLED HOLE PLATED WITH 0.00762MM MIN Sn
OVER 0.0254-0.0762MM Cu PLATING TO ACHIEVE A 1.02 ± 0.07 MM HOLE.
- 8) PRODUCT SPECIFICATION REFER TO FCI GS-12-658.
APPLICATION SPECIFICATION REFER TO FCI GS-20-141.
PRODUCT PACKAGED IN TRAYS, REFER TO FCI GS-14-1502.
- 9) THE VOID CORING IN BETWEEN POWER MODULES, SIGNAL
MODULES AND END MODULES ARE OPTIONAL AND THE SHAPE
MAY BE DIFFERENT FOR OPTIMIZE THE MOLDING PROCESS. THE
VOID CORING WILL NOT EFFECT TO PRODUCT FUNCTION.

dr	Peng-Bing Fu	20120909	projection	MM	size	A3	scale	3:2	
eng	Peng-Bing Fu	20130213			ecn no	-	rel level		
chr	-	-			Released				
appr	Pai-Ming Zhang	20130213	product family	PwrBlade+					
			title	2HP + 20S + 3HP		eng no	10106264-5005001	rev	A
www.fci.com			cat. no.	Product - Customer Drw		sheet 3 of 3			



Copyright FCI.