

Excellent Integrated System Limited

Stocking Distributor

Click to view price, real time Inventory, Delivery & Lifecycle Information:

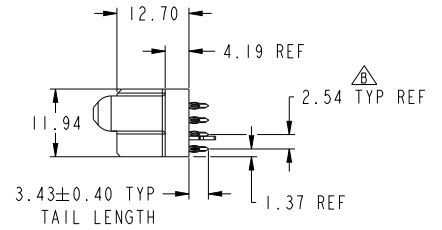
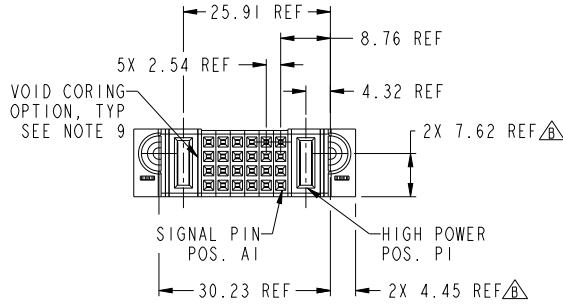
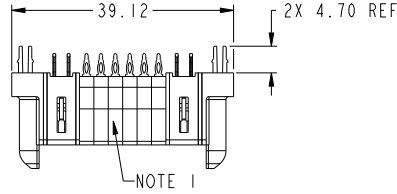
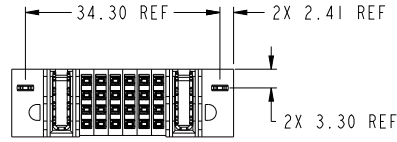
[FCI](#)

[10106269-2006002LF](#)

For any questions, you can email us directly:

sales@integrated-circuit.com

PRODUCT NUMBER SEE SHEET 2



spec ref	dr	Peng-Bing Fu	20120627	projection	MM	size	A3	scale	3:2
tolerance std	eng	Peng-Bing Fu	20121115			ecn no	ELX-00-015146-1	rel level	Released
ASME Y14.5	chr	Tian-Xu Huang	20121115						
TOLERANCES UNLESS OTHERWISE SPECIFIED		appr	Pai-Ming Zhang						
surface	linear	0.X	±0.50	www.fci.com		eng no	10106269-2006002	rev	B
		0.XX	±0.25	cat. no.		Product - Customer Draw		sheet 1 of 3	
	angular	0°	±2°	3		PDS: Rev.B		STATUS: Released	

Print Date - REV C - 2009-04-20

1

2

3

PDS: Rev.B

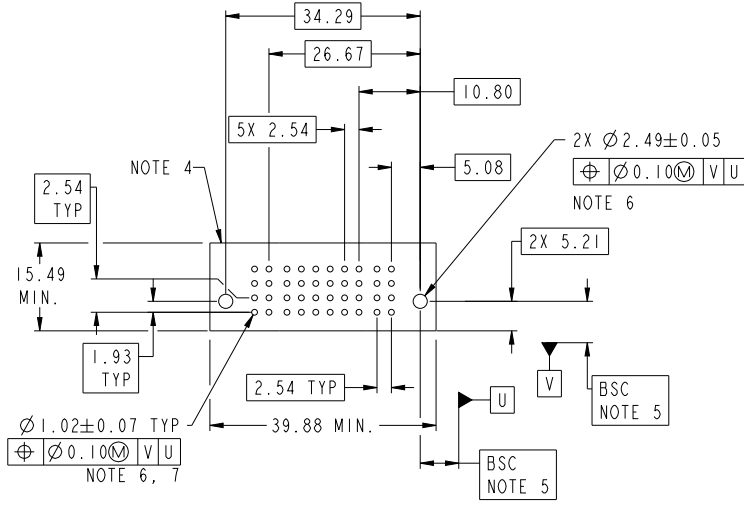
STATUS: Released

Printed: Nov 14, 2012



Copyright FCI.

PRODUCT NO.	ROWS	P	SIGNAL	P		CODE	DESCRIPTION						
10106269-2006002LF	D C B A	E1	P2	6	5	4	3	2	1	P1	E2	F	STD SIGNAL CONTACT
												HA	METAL HOLD DOWN
												HG	STD HIGH POWER CONTACT (3.43)



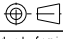
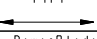

dr	Peng-Bing Fu	20120627	projection	MM	size	A3	scale	3:2	
eng	Peng-Bing Fu	20121113			ecn no	ELX-00-01346-1			
chr	Tian-Xu Huang	20121113			rel level	Released			
appr	Pai-Ming Zhang	20121113	product family	PowerBlade+					
			title	IHP + 24S + IHP		eng no	10106269-2006002	rev	B
www.fci.com			cat. no.	Product - Customer Drw		sheet 2 of 3			



Copyright FCI.

NOTES:

- 1) "FCI", PART NUMBER AND DATE CODE TO BE MARKED ON THIS SURFACE.
THE P/N CAN BE OMITTED IF THERE IS NOT ENOUGH SPACE ON THIS SURFACE.
- 2) MATERIALS:
-HOUSING - GLASS FILLED WITH HIGH TEMP THERMOPLASTIC, UL94V-0.
-SIGNAL CONTACT - COPPER ALLOY.
-POWER CONTACT - HIGH CONDUCTIVITY COPPER ALLOY.
- 3) PLATING SPECIFICATION REFER TO FCI 10116351
- 4) DENOTES CONNECTOR KEEP OUT ZONE.
- 5) DATUM AND BASIC DIMENSIONS WERE ESTABLISHED BY CUSTOMER.
- 6) ALL HOLE DIAMETERS ARE FINISHED HOLE SIZES.
- 7) 1.15 ± 0.025 MM DRILLED HOLE PLATED WITH 0.00762MM MIN Sn
OVER 0.0254-0.0762MM Cu PLATING TO ACHIEVE A 1.02 ± 0.07 MM HOLE.
- 8) PRODUCT SPECIFICATION REFER TO FCI GS-12-658.
APPLICATION SPECIFICATION REFER TO FCI GS-20-141.
PRODUCT PACKAGED IN TRAYS, REFER TO FCI GS-14-1502.
- 9) THE VOID CORING IN BETWEEN POWER MODULES, SIGNAL
MODULES AND END MODULES ARE OPTIONAL AND THE SHAPE
MAY BE DIFFERENT FOR OPTIMIZE THE MOLDING PROCESS. THE
VOID CORING WILL NOT EFFECT TO PRODUCT FUNCTION.
- 10) A \triangle SYMBOL WILL BE NEXT TO ANY DIMENSION, VIEW, OR NOTE
WHICH HAS BEEN MODIFIED WITH THE CURRENT DRAWING REVISION.

dr	Peng-Bing Fu	20120627	projection	MM	size	A3	scale	1:1	
eng	Peng-Bing Fu	20121113			ecn no	ELK-00-01846-1	rel level	Released	
chr	Tian-Xu Huang	20121113							
appr	Pai-Ming Zhang	20121113	product family	PowerBlade+					
			title IHP + 24S + IHP VT PRESSFIT RECEPTACLE		eng no	10106269-2006002		rev	B
www.fci.com			cat. no.	Product - Customer Draw		sheet 3 of 3			



Copyright FCI.