

Excellent Integrated System Limited

Stocking Distributor

Click to view price, real time Inventory, Delivery & Lifecycle Information:

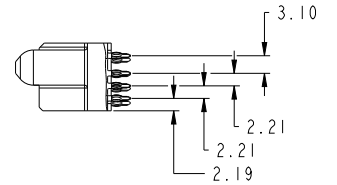
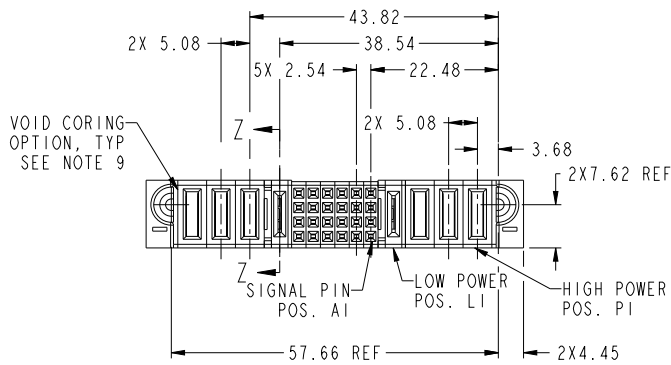
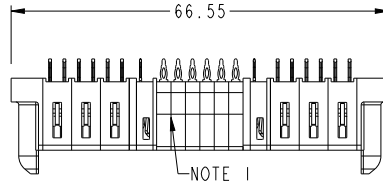
[FCI](#)

[10106269-6206001LF](#)

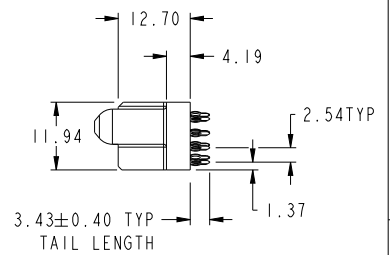
For any questions, you can email us directly:

sales@integrated-circuit.com

PRODUCT NUMBER SEE SHEET 2



SECTION Z-Z



spec ref	dr	Peng-Bing Fu	20130405	projection	MM	size	A3	scale	3:2
tolerance std	eng	Peng-Bing Fu	20130508			ecn no	rel level	Released	rev
ASME Y14.5	chr								
TOLERANCES UNLESS OTHERWISE SPECIFIED				product family	PowerBlade+				
surface	linear	0.X	±0.50		FCI title 3HDP+1LP+24S+1LP+3HDP VT PF RECEPTACLE www.fci.com	eng no	10106269-6206001	Product - Customer Drw	sheet 1 of 3
		0.XX	±0.25						
		0.XXX	±0.10						
ASME Y14.5	angular	0°	±2°	cat. no.					

Prod Form - REV C - 2009-04-09

1

2

3

PDS: Rev :A

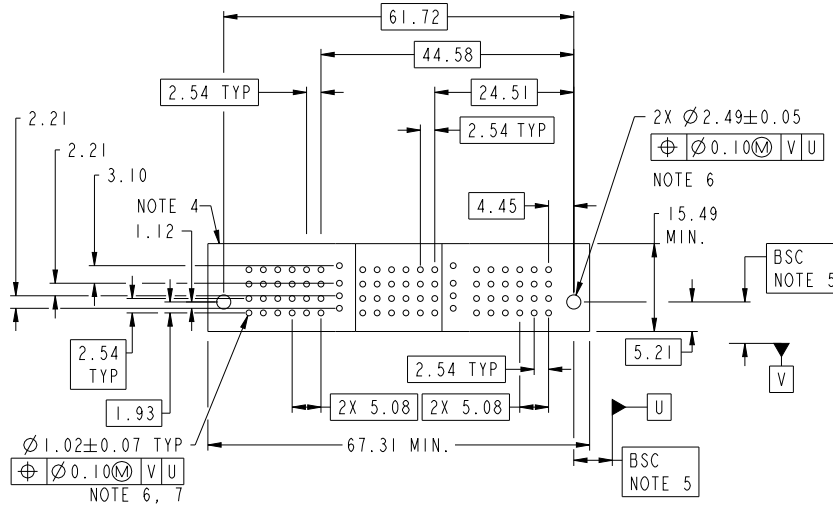
STATUS:Released

Printed: May 08, 2013



Copyright FCI.

PRODUCT NO.	ROWS	HP LP SIGNAL LP HP												CODE DESCRIPTION								
		E1	P6	P5	P4	LP2	6	5	4	3	2	1	LP1	P3	P2	P1	E2	F	STD SIGNAL CONTACT			
10106269-6206001LF	D C B A	HG	HG	HG	LT	F	F	F	F	F	F	F	F	F	F	F	F	HG	HG	HG	LT	STD LOW POWER CONTACT (3.43)



dr	Peng-Bing Fu	20130425	projection	MM	size	A3	scale	3:2		
eng	Peng-Bing Fu	20130508	product family	PowerBlade+	rel level	Released	cat. no.	Product - Customer Drw		
chr	-	-								
appr	Pai-Ming Zhang	20130508	www.fci.com		title	3HDP+1LP+24S+1LP+3HDP VT PF RECEPTACLE	eng no	10106269-6206001	rev	A



NOTES:

- 1) "FCI", PART NUMBER AND DATE CODE TO BE MARKED ON THIS SURFACE.
THE MARK CAN BE OMITTED IF THERE IS NOT ENOUGH SPACE ON THIS SURFACE.
- 2) MATERIALS:
-HOUSING - GLASS FILLED WITH HIGH TEMP THERMOPLASTIC, UL94V-0.
-SIGNAL CONTACT - COPPER ALLOY.
-POWER CONTACT - HIGH CONDUCTIVITY COPPER ALLOY.
- 3) PLATING SPECIFICATION REFER TO FCI 10116351
- 4) DENOTES CONNECTOR KEEP OUT ZONE.
- 5) DATUM AND BASIC DIMENSIONS WERE ESTABLISHED BY CUSTOMER.
- 6) ALL HOLE DIAMETERS ARE FINISHED HOLE SIZES.
- 7) 1.15 ± 0.025MM DRILLED HOLE PLATED WITH 0.00762MM MIN Sn
OVER 0.0254-0.0762MM Cu PLATING TO ACHIEVE A 1.02 ± 0.07MM HOLE.
- 8) PRODUCT SPECIFICATION REFER TO FCI GS-12-658.
APPLICATION SPECIFICATION REFER TO FCI GS-20-141.
PRODUCT PACKAGED IN TRAYS, REFER TO FCI GS-14-1502.
- 9) THE VOID CORING IN BETWEEN POWER MODULES, SIGNAL
MODULES AND END MODULES ARE OPTIONAL AND THE SHAPE
MAY BE DIFFERENT FOR OPTIMIZE THE MOLDING PROCESS. THE
VOID CORING WILL NOT EFFECT TO PRODUCT FUNCTION.

dr	Peng-Bing Fu	20130425	projection	MM	size	A3	scale	1:1
eng	Peng-Bing Fu	20130508			ecn no			
chr	-	-			rel level	Released		
appr	Pai-Ming Zhang	20130508	product family	PowerBlade+				
www.fci.com	cat. no.	3	Product - Customer Drw	sheet 3 of 3	rev	A		



Copyright | FCI.