

Excellent Integrated System Limited

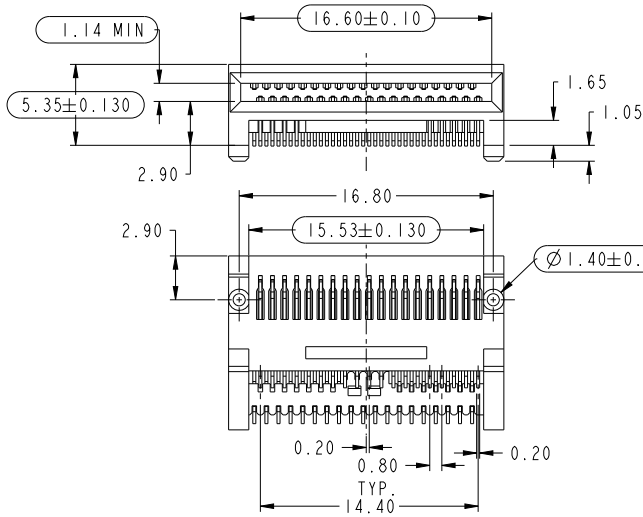
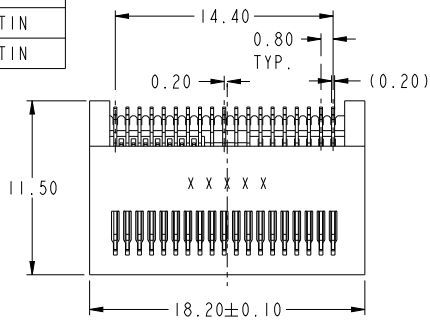
Stocking Distributor

Click to view price, real time Inventory, Delivery & Lifecycle Information:

[FCI](#)
[10099113-102LF](#)

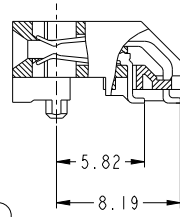
For any questions, you can email us directly:
sales@integrated-circuit.com

PART NUMBER	PLATING
10099113-101LF	SATIN TIN
10099113-102LF	MATTE TIN

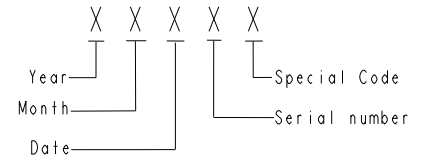


NOTES:

- MATERIAL:
HOUSING: THERMOPLASTIC GLASS FILLED.
SPACER: THERMOPLASTIC GLASS FILLED.
CONTACT: COPPER ALLOY
- PLATING:
CONTACT AREA: 0.76um Au OVER 2.54um MIN. NICKEL.
SOLDER AREA: 2.54um MIN. TIN OVER 2.54um MIN. NICKEL.
- PRODUCT SPECIFICATION: GS-12-622
- APPLICATION SPECIFICATION: GS-20-126
- PRODUCT MEETS EUROPEAN UNION DIRECTIVES AND OTHER COUNTRY REGULATIONS AS DESCRIBED IN GS-22-008.
- DATE CODE BE PRINTED ON PROPER SURFACE.

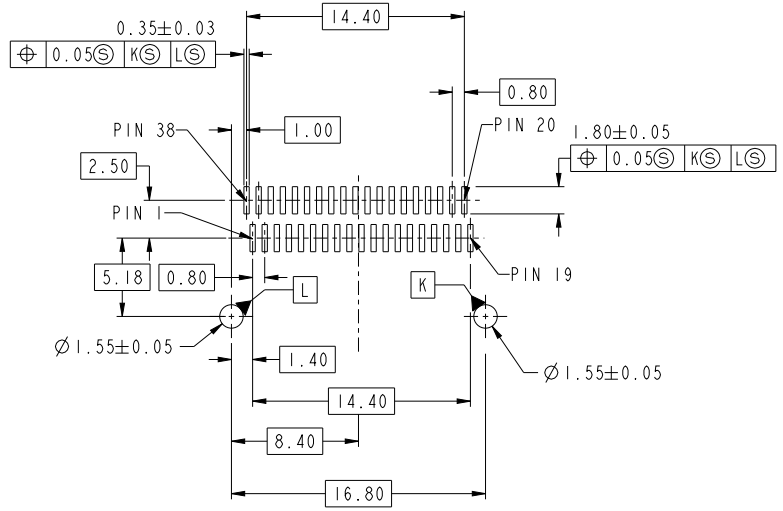
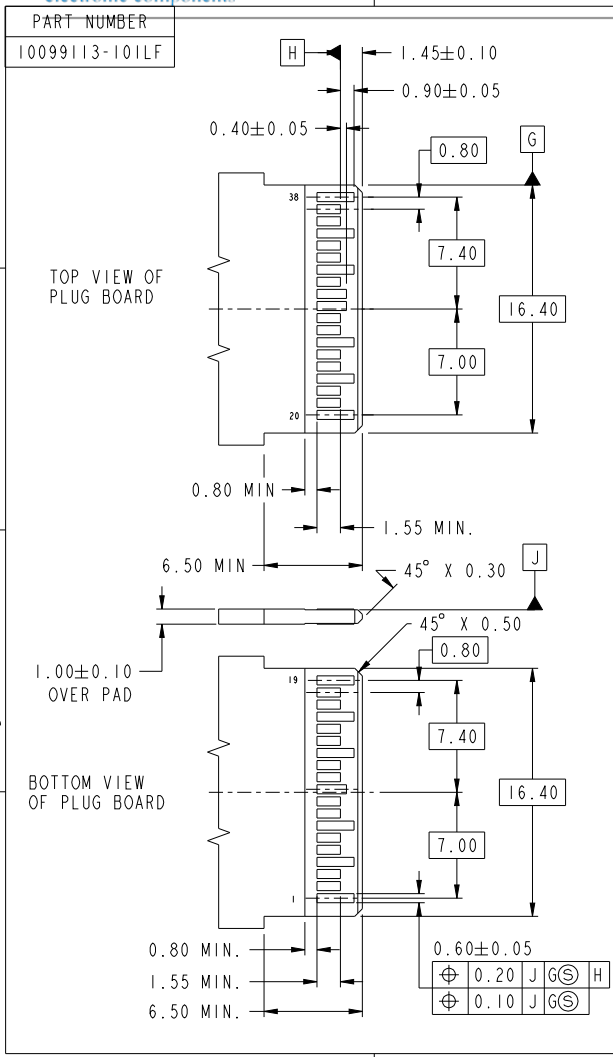


INCLUDE ALL SOLDER CONTACT



DATE CODE DESCRIPTION

spec ref	-	dr	Andy Zhang	20121103	projection	MM	size	A3	scale	4:1
tolerance std	ASME Y14.5	eng	Andy Zhang	20120427	chr	-	ecn no	-	rel level	Released
TOLERANCES UNLESS OTHERWISE SPECIFIED		appr	Rick Blum	20120427	product family	-	rel level	-	rel level	Released
surface	linear	0.X	±0.10		title	QSFP 38POS CONNECTOR	eng no	10099113	rev	F
		0.XX	±0.05		www.fci.com	cat. no.	-	Product - Customer Drw	sheet 1 of 2	
	angular	0°	±2°							



RECOMMENDED PCB LAYOUT
(COMPONENT SIDE)

dr	Andy Zhang	20120103	projection	MM	size	A3	scale	4:1
eng	Andy Zhang	20120427	chr		ecn no		ELX-001478-1	
appr	Rick Bian	20120427	product family		rel level		Released	
FCI	title	QSFP 38POS CONNECTOR	eng no	10099113	rev	F		
www.fci.com	cat. no.	Product - Customer Drw	sheet 2 of 2					

Copyright FCI.