

## Excellent Integrated System Limited

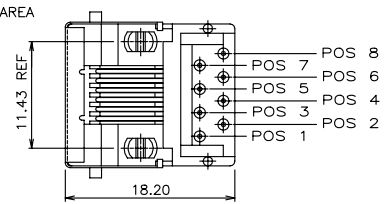
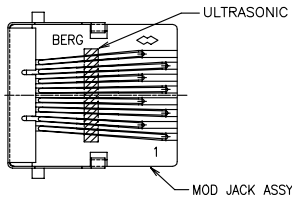
Stocking Distributor

Click to view price, real time Inventory, Delivery & Lifecycle Information:

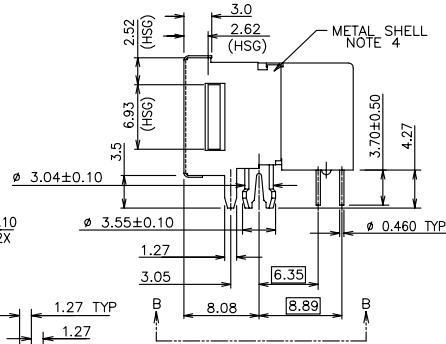
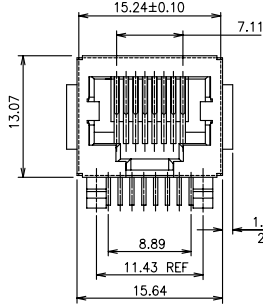
[FCI](#)  
[94909-388LF](#)

For any questions, you can email us directly:  
[sales@integrated-circuit.com](mailto:sales@integrated-circuit.com)

PRODUCT NO	NUMBER OF POS.	LOADED POSITION	MOD JACK ASSY
94909-X88	8	ALL POS.	94908-X88
94909-X86		2,3,4,5,6,7	94908-X86
94909-X84		3,4,5,6	94908-X84
94909-X84A		1,2,3,6	94908-X84A
94909-X88LF		ALL POS.	94908-X88LF
94909-X86LF		2,3,4,5,6,7	94908-X86LF
94909-X84LF		3,4,5,6	94908-X84LF
94909-X84ALF		1,2,3,6	94908-X84ALF
94909-X88NLF	ALL POS.	94908-X88LF	



NOTES: PLEASE CHECK FOR AVAILABILITY, NOT ALL OPTIONS AVAILABLE.

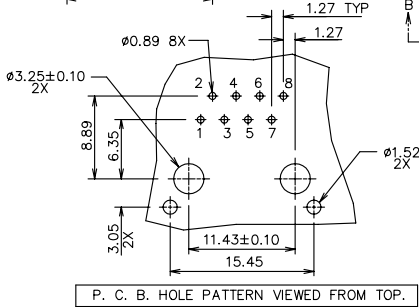


VIEW B-B  
 POS. NO. CONFIGURATION

PLATING CODE X	PLATING
0	5u" Au + high performance lubricant
1	15u" GOLD
2	20u" GFPP
3	5u" Au + high performance lubricant
5	50u" GOLD

NOTES:

1. RECOMMENDED P.C.B THICKNESS 1.60 MM
2. HOUSING MAT'L: NYLON 66, 25% GLASS REINFORCED.
3. CONTACTS: PHOS BRONZE ALLOY UNS-C51000,  $\phi$  0.460 ROUND WIRE, SEE TABLE FOR PLATING.
4. METAL SHELL MATERIAL: JIS C7521R-H OR THE EQUIVALENT, 0.2MM THICK.
5. PACKAGING PER GES-14-361, USING TUBE.
6. COMPANY LOGO LOCATED IN THIS AREA.
7. LEAD FREE PRODUCTS MEET EUROPEAN UNION DIRECTIVES AND OTHER COUNTRY REGULATIONS AS DESCRIBED IN GS-22-008.
8. FOR P/N -X88NLF: 30"u NI MIN, WITH SELECTICE TIN ON SOLDER TAILS.
9. EQUIVALENT THICKNESS Au AND GXT PLATING HAVE SAME FUNCTION AND THEY ARE ALTERNATIVE BY THE CUSTOEMR .



P. C. B. HOLE PATTERN VIEWED FROM TOP.

mat'l. code	surface	tolerance	projection	product family
G	ISO1302	ISO1101 ISO406	ASME Y14.5	MOD JACK
tr ecn ndor	date	tolerances unless otherwise specified	mm	title
V03-1103 RJ	10/22/03	0.X±0.3	mm	MODIFIED LOW PROFILE PCB III
H V05-0187 LP	3/23/05	0.XX±0.15	scale 1.0	8 POS SHIELDED MOD JACK
J N08-0202 SH	09/16/08	0.XXX±0.05		
K N08-0097 SH	MM 09/25/08	dr	DKLIN	7/5/94
L ELX-N-010994 SH	MM 3/14/12	eng	TONY CHIEN	7/5/94
		chr	TONY CHIEN	7/5/94
		app	JENN TSAO	7/5/94
sheet	revision			
index	sheet	1		