

Excellent Integrated System Limited

Stocking Distributor

Click to view price, real time Inventory, Delivery & Lifecycle Information:

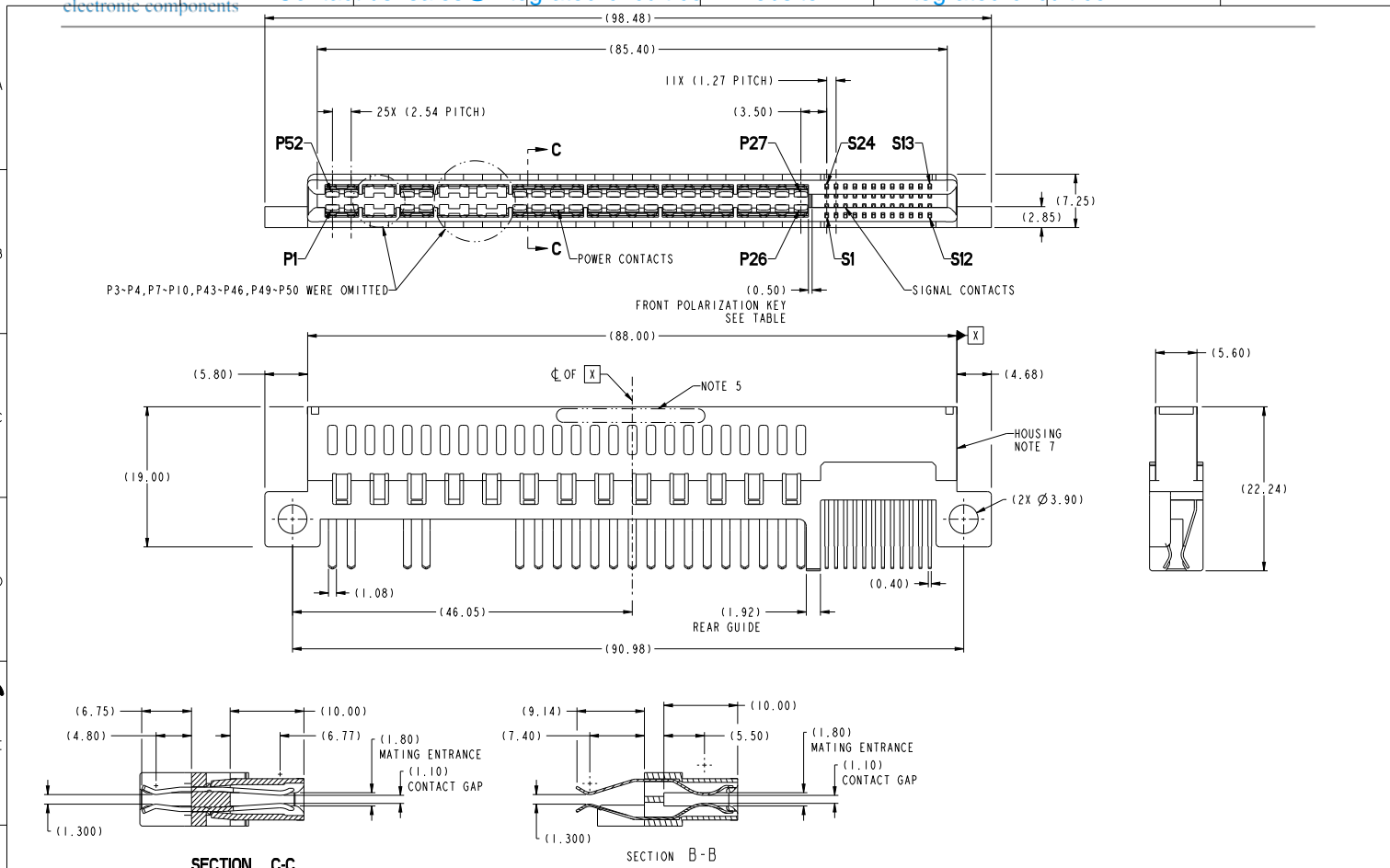
[FCI](#)
[10118039-001LF](#)

For any questions, you can email us directly:
sales@integrated-circuit.com

FCI CONFIDENTIAL

FCI

This document is the property of and contains CONFIDENTIAL and PROPRIETARY information of FCI. It is to be used only for the purposes intended by FCI. It is not to be distributed, copied, or otherwise used in any manner without the written consent of FCI. Copyright FCI.



rev	ech no	dr	date	TOLERANCES UNLESS OTHERWISE SPECIFIED	tolerance std	material	dr	proj	projection	MM	size	scale
A		HZ	2011-07-13	X, ±	ASME Y14.5		Wang Zhang	00118039			A2	3:1
B	REVISION	HZ	2011-12-01	0.X ±0.3			Wang Zhang	00118039				
				linear 0.XX ±0.10			CHZ	00118039				
				0.XXX ±0.050	surface		oppr	Wang Zhang	00118039			
				0.XXXX ±								
				angular 0° ±2°	ASME Y14.5							

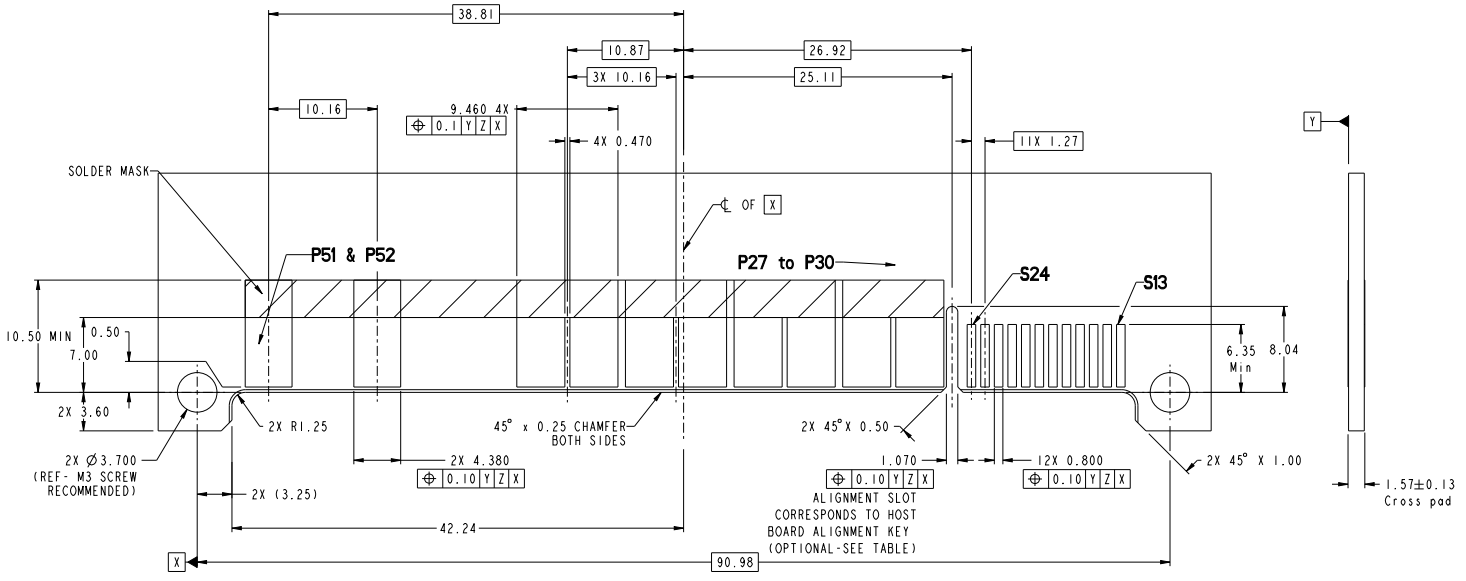
max code	-	heat treat	-	plating/finish	-	spec ref	-	model name	-	model revision	B
www.fcicom	cat. no.	10118039	RECEPTACLE (52P-24S)	HPCE - (STRADDLE MOUNT)		Product	Customer Draw	sheet 1 of 4			

PDS: Rev: B STATUS: Released Printed: Dec 09, 2011

FCI CONFIDENTIAL



This document is the property of and remains CONFIDENTIAL and shall not be distributed outside of the company. If you are not an intended recipient, please do not disseminate, distribute or copy this document. If you have received this document by mistake, please notify the sender immediately by e-mail. Copyright FCI.



RECOMMENDED PCB LAYOUT AS VIEWED

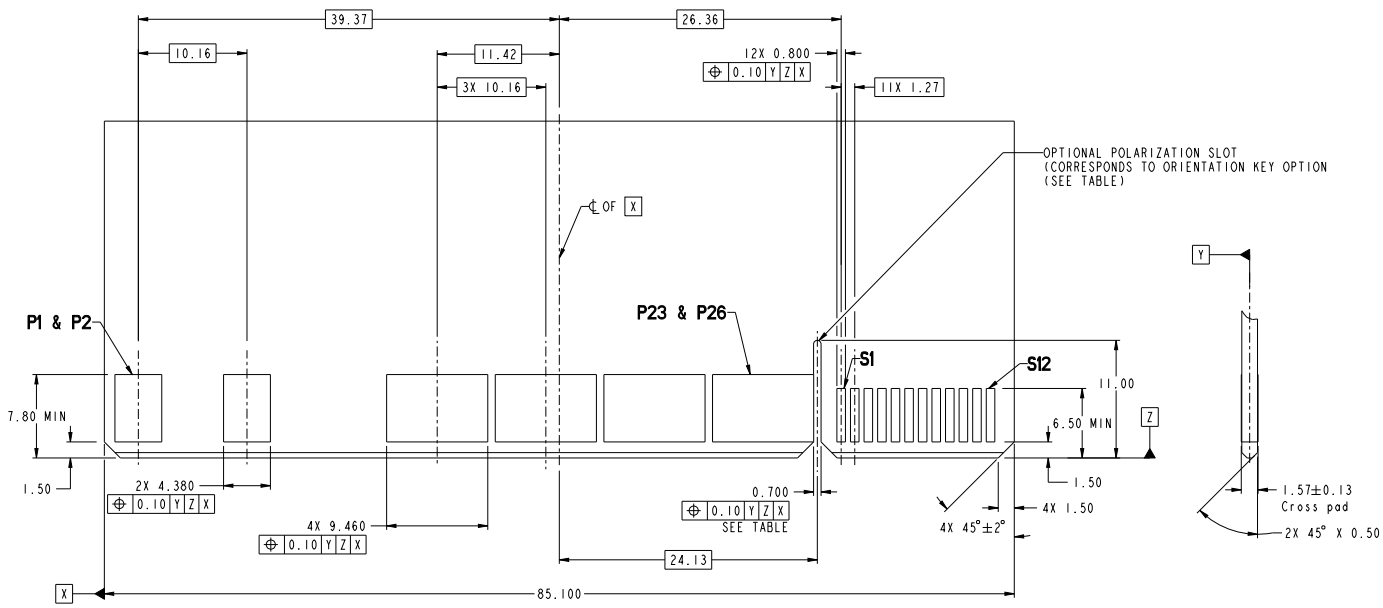


dr:	Wei-Liang Zhang	proj:	MM	size:	A2	scale:	3:1
chk:	Wei-Liang Zhang	product family:	CARD EDGE	acc no:		rel level:	Released
appr:	Wei-Liang Zhang	part no:	10118039	part no:	10118039	rev:	B
www.fci.com		RECEPTACLE (52P-24S)		HPCE - (STRADDLE MOUNT)		Product - Customer Draw	
PDS: Rev: B		STATUS: Released		Printed: Dec 09, 2011		sheet 2 of 4	

FCI CONFIDENTIAL



This document is the property of and remains CONFIDENTIAL and should be handled accordingly. It is to be used only for the purpose intended by the user. No part of this document may be reproduced, stored in a retrieval system, or transmitted in any form or by any means, electronic, mechanical, photocopying, recording, or otherwise, without the written consent of FCI. Copyright FCI.



dr:	Wei-Liang Zhang	09/11/2009	projection	MM	size	A2	scale	4:1
chk:	Wei-Liang Zhang	09/11/2009	product family	CARD EDGE	rel level	Released		
appr:	Wei-Liang Zhang	09/11/2009	RECEPTACLE (52P-24S)		10118039			
www.fci.com			HPCE - (STRADDLE MOUNT)					

PDS: Rev: B

STATUS: Released

Printed: Dec 09, 2011

2

3

4

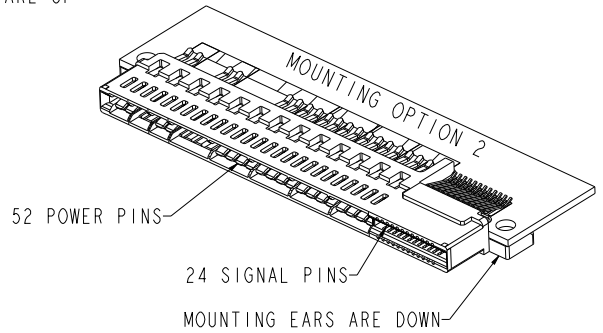
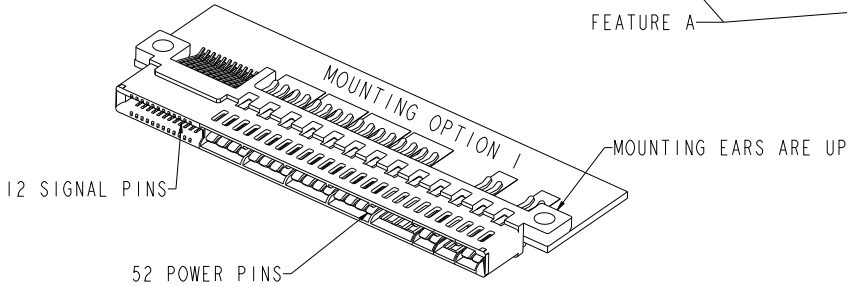
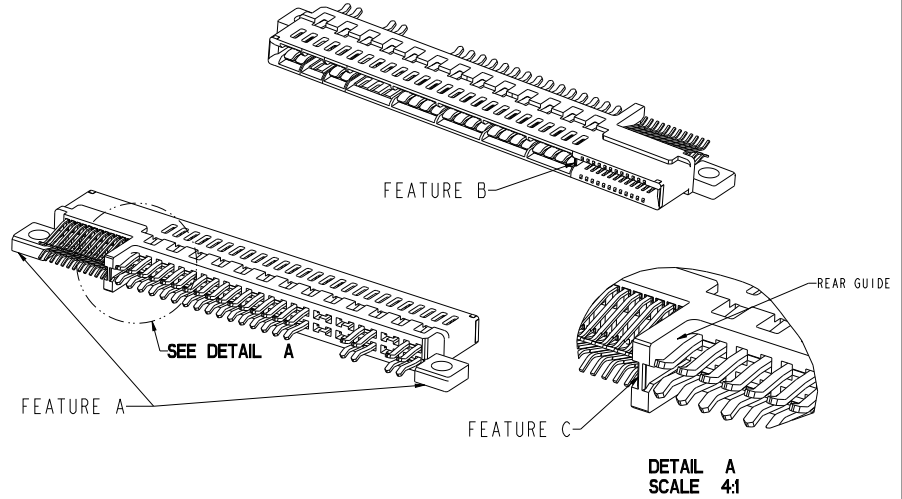
5

B

F

FCI CONFIDENTIAL

PART NUMBER	FEATURE C HOST BOARD ALIGNMENT KEY (SEE NOTE 8)	FEATURE A MOUNTING EARS	FEATURE B FRONT POLARIZATION KEY
10118039-001LF	YES	YES	NO
10118039-002LF		YES	YES
10118039-003LF		NO	NO
10118039-004LF		NO	YES
10118039-005LF	NO	YES	NO
10118039-006LF		YES	YES
10118039-007LF		NO	NO
10118039-008LF		NO	YES



NOTES:

- CONNECTOR MATERIALS:
HOUSING: HIGH TEMPERATURE THERMAL PLASTIC, BLACK
UL 94V-0 COMPLIANT
CONTACTS: HIGH PERFORMANCE COPPER ALLOY.
- CONTACT FINISH REF. GS-12-604 SECTION 5.2.
- PRODUCT SPECIFICATION: GS-12-604.
- APPLICATION SPECIFICATION: GS-20-128.
- PRODUCT MARKING (FCI - PART NUMBER & DATE CODE) ON HOUSING IN AREA SHOWN.
- PACKAGING MEETS FCI SPECIFICATION GS-14-937.
- HOUSING COMPONENT WILL WITHSTAND EXPOSURE TO 260°C PEAK TEMPERATURE FOR 60 SECONDS IN A CONVECTION, INFRA-RED, OR VAPOR PHASE REFLOW OVEN.
- HOST BOARD ALIGNMENT KEY IS RECOMMENDED TO ENSURE PROPER ALIGNMENT OF SOLDER TAILS WITH HOST BOARD PADS.

dr: Wei-Liang Zhang	09118039	projection	MM	size	A2	scale	4:1
chk: Wei-Liang Zhang	09118039	product family	CARD EDGE	acc no		rel level	Released
app: Wei-Liang Zhang	09118039	RECEPTACLE (52P-24S)		deg		10118039	rev B
www.fci.com		HPCE - (STRADDLE MOUNT)		Product - Customer Draw		sheet 4 of 4	

PDS: 6ev:B

STATUS: Released

Printed: 09c 09, 2011

FCI

This document is the property of and remains CONFIDENTIAL and proprietary to FCI. It is to be used only for the specific application and for the specific customer for whom it was prepared. It is not to be distributed to others without the written consent of FCI. Copyright FCI, 2011.