

Excellent Integrated System Limited

Stocking Distributor

Click to view price, real time Inventory, Delivery & Lifecycle Information:

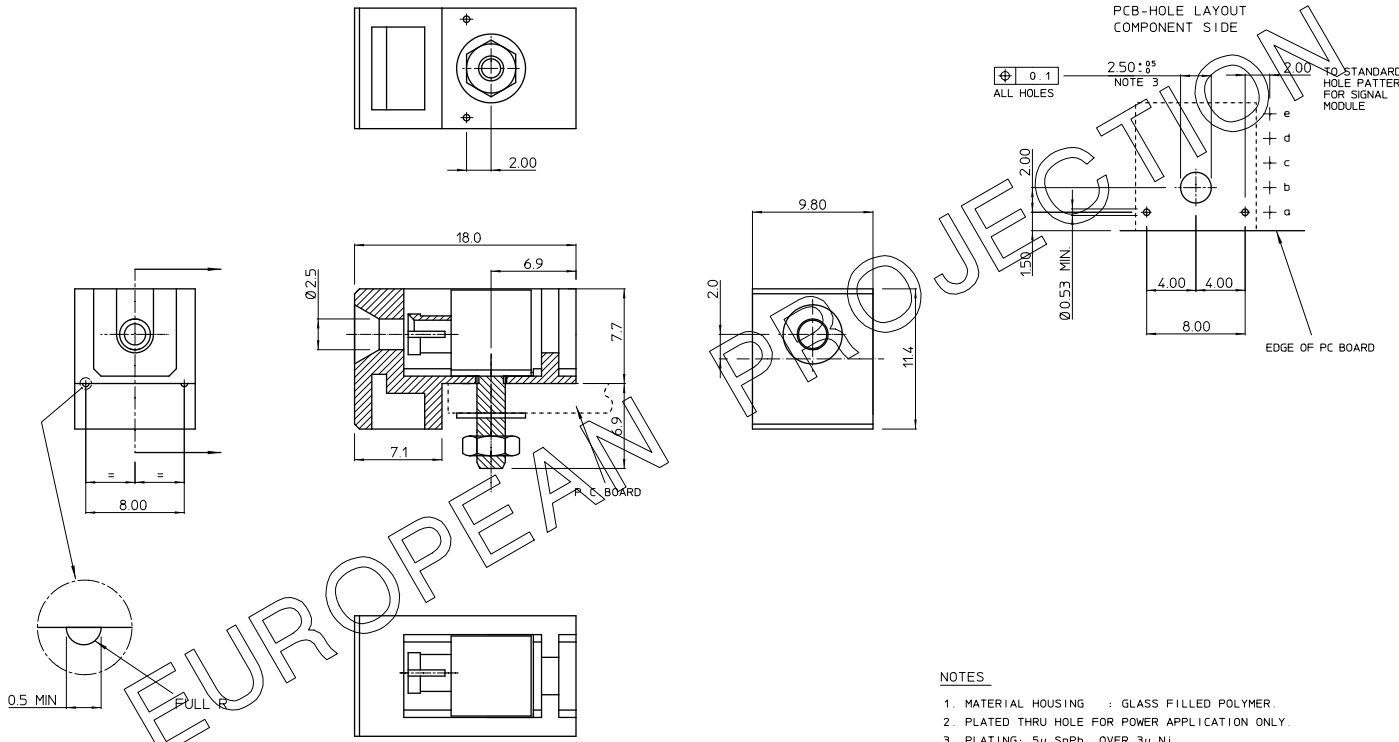
[FCI](#)

[HM2G08](#)

For any questions, you can email us directly:

sales@integrated-circuit.com

BS,C,201911,014	A	GEN. ST.	01	02	03	04	05	06	07	08	09	10	11	12	13	14	15	16	17	18	19	20	21	22	23	24	25	26	27	28	29	30	31	32	33	34	35	36	37	38	39	40	41	42	43	44	45	46	47	48	49	50	51	52	53	54	55	56	57	58	59	60	61	62	63	64	65	66	67	68	69	70	71	72	73	74	75	76	77	78	79	80	81	82	83	84	85	86	87	88	89	90
		INT. ST.	10	11	12	13	14	15	16	17	18	19	20	21	22	23	24	25	26	27	28	29	30	31	32	33	34	35	36	37	38	39	40	41	42	43	44	45	46	47	48	49	50	51	52	53	54	55	56	57	58	59	60	61	62	63	64	65	66	67	68	69	70	71	72	73	74	75	76	77	78	79	80	81	82	83	84	85	86	87	88	89	90									
REV.	A	DATE	14-09-01	DESCRIPTION	CONVERSION REVISION 00	BY	KN	C'K'D'																																																																																				



- NOTES**
1. MATERIAL HOUSING : GLASS FILLED POLYMER.
 2. PLATED THRU HOLE FOR POWER APPLICATION ONLY.
 3. PLATING: 5µ SnPb OVER 3µ Ni

THIS IS OUR EXCLUSIVE PROPERTY. IT IS NOT TO BE COPIED, REPRINTED OR DISCLOSED TO A THIRD PARTY, NOR USED FOR MANUFACTURING WITHOUT OUR WRITTEN CONSENT, AND HAS TO BE RETURNED TO US IN CASE OF NO USAGE.

DIT IS ONZE EIGENDOM EN MAG NIET AFGEKOPIEERD, OVERGEDRUKT, OVERGEGEVEN AAN DEREN, NOCH VOOR FABRIKATIE GEBRUIKT WORDEN, ZONDER ONZE SCHRIFTELIJKE TOELATING. BIJ NIET GEBRUIK IS TERUGGEGANGEN VERPLICHT.

1DEC ±0.2 2DEC ±0.1 ANGLES ±1° HOEKEN	APPR. DRAFT	DATE 03-11-99	SIGN. M.Fret	MILLIPACS 2 / GUIDING SYSTEM (for p.c. board)
WE RESERVE THE RIGHT TO CHANGE DIMENSIONS OR REQUIREMENTS WITHOUT PRIOR NOTICE.	CHECKED			CAT. No. HM2G08
ALL DIMENSIONS IN MM	PROD. MGR			FCI FCI MECHELEN N.V. A. SPINDIJSTRAAT 8, 2800 MECHELEN
	PR. ENG. MGR			SCALE 4 / 1
ALLE AFMETINGEN IN MM	PR. MGT. MGR			REFERENCES / REFERENTIES
				BS,C,201911,014
				DRAWING No. CUSTOMER DRAWING
				REVISION A