

Excellent Integrated System Limited

Stocking Distributor

Click to view price, real time Inventory, Delivery & Lifecycle Information:

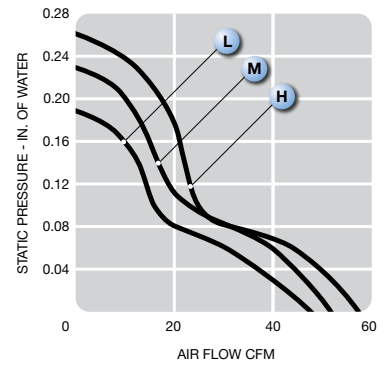
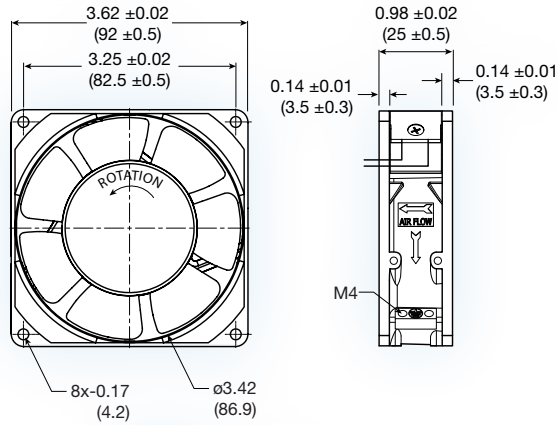
[Mechatronics Fan Group](#)
[LPC92B99-BTHR](#)

For any questions, you can email us directly:

sales@integrated-circuit.com



LPC92B series



(92 x 92 x 25 mm)

3.62 x 3.62 x 0.98 inches

Features: low power consumption, global input voltage

Operating voltage: 90 ~ 264 VAC

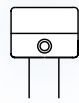
Construction: magnesium die cast frame with UL94V-0 plastic impeller

Bearing option: motor quality ball bearings

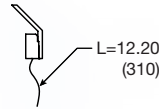
Motor: electronically comutated

Air Flow: air exhaust over struts

Connection: terminal type or lead wire



Terminal



Lead Wire

Model No.	Rated Voltage V	Freq. HZ	Input Power W	Speed RPM	Air Volume		Max. Static Pressure (H ₂ O)		Sound Noise dbA	Weight g
					M ³ /Min.	CFM	MM	INCH		
LPC92B99-__L	90 ~ 264	50/60	4.0	3,000	1.4	48	4.8	0.19	35	181
LPC92B99-__M	90 ~ 264	50/60	4.5	3,500	1.5	53	5.8	0.23	39	181
LPC92B99-__H	90 ~ 264	50/60	5.5	4,000	1.6	58	6.5	0.26	43	181

