



Distributor of Amphenol Sine Systems: Excellent Integrated System Limited

Datasheet of AT04-08PB-SS01 - CONN RCPT 8POS 14-20AWG SIZE 16

Contact us: sales@integrated-circuit.com Website: www.integrated-circuit.com

Excellent Integrated System Limited

Stocking Distributor

Click to view price, real time Inventory, Delivery & Lifecycle Information:

[Amphenol Sine Systems](#)

[AT04-08PB-SS01](#)

For any questions, you can email us directly:

sales@integrated-circuit.com

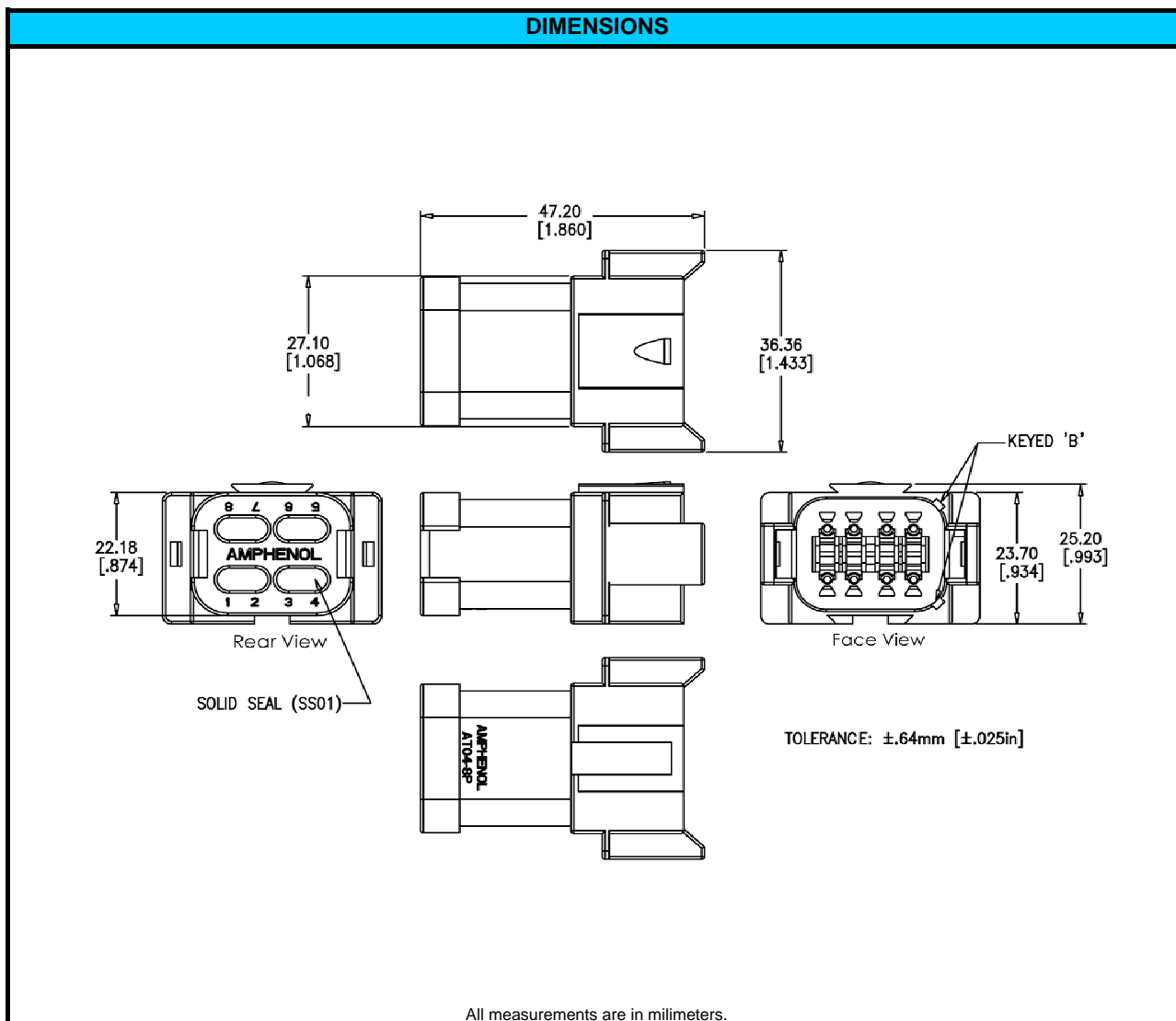
Amphenol

SINE SYSTEMS

AT Series™

Connectors

CONFIGURATION	PART NUMBER
Rect, 8 Way, Key B, Solid Rear Seal, End Cap	AT04-08PB-SS01



NOTES:	
CONTACT SIZE	16
WIRE RANGE	NA
HOUSING COLOR	BLACK
MATING CONNECTOR:	AT06-08SB
REV: NC	UNCONTROLLED DOCUMENT
DATE 8-July-2009	INFORMATION SUBJECT TO CHANGE WITHOUT NOTICE

© 2009 Amphenol Sine Systems Corporation. Every effort has been made to ensure that the information contained in this document is accurate at the time of publication. Specifications or information stated in this publication are subject to change without notice.