

Excellent Integrated System Limited

Stocking Distributor

Click to view price, real time Inventory, Delivery & Lifecycle Information:

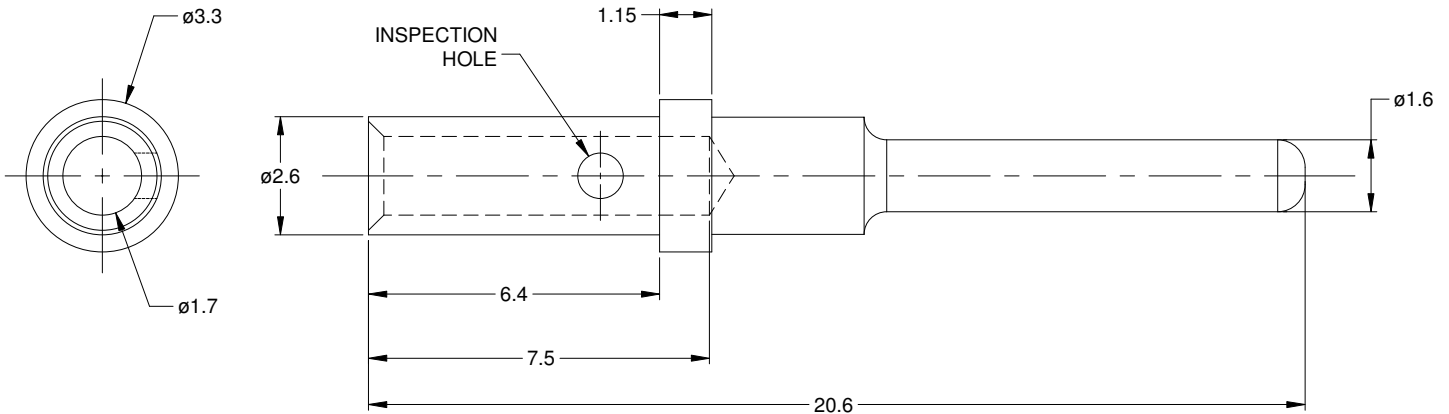
[Amphenol Sine Systems](#)

[AT60-202-1631](#)

For any questions, you can email us directly:

sales@integrated-circuit.com

REVISIONS					
REV	ECO	DESCRIPTION	DATE	BY	APPR
A4	-	RELEASE NEW DWG FORMAT	10/OCT/13	DRP	-
A5	-	MATCHED DIMS TO NEW TOOLING	28JAN15	JAH	-



NOTES: UNLESS OTHERWISE SPECIFIED

1. MATERIAL: COPPER ALLOY
2. PLATING: SEE PART NUMBER CHART
3. CONTACT SIZE: 16
4. SPECIFICATIONS:
 - 4.1 CURRENT RATING: 13 AMPS
 - 4.2 CONTACT MILLIVOLT DROP: 60 MILLIVOLT DROP @ 13 AMP TEST CURRENT.
 - 4.3 RoHS COMPLIANT
5. RECOMMENDED WIRE RANGE: 16 - 20 AWG
6. AVAILABLE HAND CRIMPER: CA-5D12
7. ALL DIMENSIONS ARE FOR REFERENCE USE ONLY

PART NUMBER CHART	
PLATING	PART NUMBER
GOLD	AT60-202-1631
NICKEL	AT60-202-16141

SEE PART NUMBER CHART		PART NUMBER		DESCRIPTION		ITEM								
QUANTITY		MATERIALS LIST												
UNLESS OTHERWISE SPECIFIED 1) All dimensions are in metric(mm). 2) Tolerances are as follows: 1 PL DEC ± 0.30 2 PL DEC ± 0.15 3 PL DEC ± 0.08 3) Note reference =		SIGNATURES		DATE		<p style="text-align: center;">Amphenol</p> <p style="text-align: center;">Sine Systems - www.amphenol-sine.com 44724 Morley Drive Clinton Township, MI 48036</p> <p style="text-align: center;">CONTACT, PIN, SOLID, SIZE 16, 16-20 AWG, AT & AHD-9 SERIES</p>								
MATERIAL SPECIFICATIONS:		DRAWN: D.PARKS		10/OCT/13										
PROCESS SPECIFICATIONS:		CHECKED:												
NEXT ASSY:		ENGINEER:												
		APPROVAL:				<table border="1"> <tr> <td>SIZE</td> <td>TYPE</td> <td>DWG NO:</td> <td>REVISION</td> </tr> <tr> <td>A</td> <td>C-</td> <td>AT60-202-16XXX</td> <td>A5</td> </tr> </table>	SIZE	TYPE	DWG NO:	REVISION	A	C-	AT60-202-16XXX	A5
SIZE	TYPE	DWG NO:	REVISION											
A	C-	AT60-202-16XXX	A5											
		CUSTOMER:				SCALE: NONE								
		THIS DRAWING IS SUPPLIED FOR INFORMATION ONLY. DESIGN FEATURES, SPECIFICATIONS AND PERFORMANCE DATA SHOWN HEREON ARE THE PROPERTY OF THE AMPHENOL CORPORATION. NO RIGHTS OF REPRODUCTION ARE IMPLIED. ALL DIMENSIONS ARE SUBJECT TO NORMAL MANUFACTURING VARIATIONS.				SHEET 1 OF 1								