

## Excellent Integrated System Limited

Stocking Distributor

Click to view price, real time Inventory, Delivery & Lifecycle Information:

[CTS Electronic Components](#)

[CER0440A](#)

For any questions, you can email us directly:

[sales@integrated-circuit.com](mailto:sales@integrated-circuit.com)



# CER0440A

856 MHz Notch Filter

Rev 3 – Origin Date: July 21, 2006 – Revision Date: October 26, 2007

## Features

- Low Insertion Loss
- Low Ripple

## Description

Surface mount, silver (Ag) coated ceramic duplexer. Developed for use in 800 MHz Infrastructure Applications.

Weight: 12.25 grams typical

Material: Filter is composed of a ceramic block plated with Ag and a shield made of Sn plated steel.

Filter complies with RoHS standards.

## Electrical Specifications



Parameter	Frequency MHz	Typical @ 25°C	Specification @ 25°C	Spec over -40°C to +85°C
Low Band Iloss	806 - 824	-1.45	-1.70	-1.80
High Band Iloss	896 - 902	-1.30	-1.70	-1.80
Low Band Ripple	806 - 824	0.20	0.50	0.50
High Band Ripple	896 - 902	0.10	0.50	0.50
Passband Return Loss	806 - 824	-16.00	-12.00	-12.00
Passband Return Loss	896 - 902	-16.00	-12.00	-12.00
Attenuation	0.1 - 756	-45.00	-24.00	-24.00
	851 - 866	-28.00	-25.00	-25.00
	952 - 971	-30.00	-24.00	-24.00
	1400 - 1700	-36.00	-30.00	-30.00
	1700 - 1800	-14.00	-8.00	-8.00
Power into any port		3 Watt max		

Note: Supplier shall test each filter to the critical electrical specifications of the above table. Any subsequent audits may deviate from in value due to measurement repeatability among different test systems. Such deviations shall not exceed the following limits:

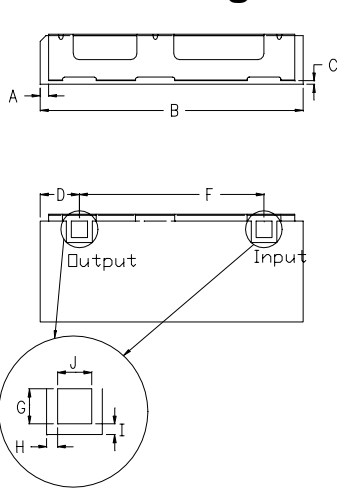
Specification Allowance	
Insertion Loss	0.1 dB
Return Loss	1.0 dB
Stopbands	1.0 dB

\*This product is covered by one or more of the following U.S. and foreign patents including: US 4,692,726;US 4,742,562; US 4,800,348;US 4,829,274;US 5,146,193;EP 0573597;DE 0573597;FR 0573597;JP 508149/92;KR 142171;US 5,162,760;US 5,218,329;US 5,250,916;US 5,327,109;US 5,488,335;CA 2114029;FR 9306297;GB 2273393;JP 3205337;KR 115113;CN 93106228.4;US 5,512,866;EP 0706719;DE 0706719;FR 0706719;GB 0706719;CN 95190359.4;US 5,602,518;US 5,721,520;US 5,745,018;EP 0910875;DE 0910875;DK 0910875;FR 0910875;GB 0910875;IE 0910875;JP 505182/98;KR 10-323013;US 5,994,978;US 6,462,629;CN 00810420.4;US 6,559,735;US 6,650,202;US 6,834,429. Other US and foreign patents pending.

\*CTS Corporation 2006 reserves all copyrights in the layout, design and configuration of the patterns on this product.\*

**Mechanical Drawing**

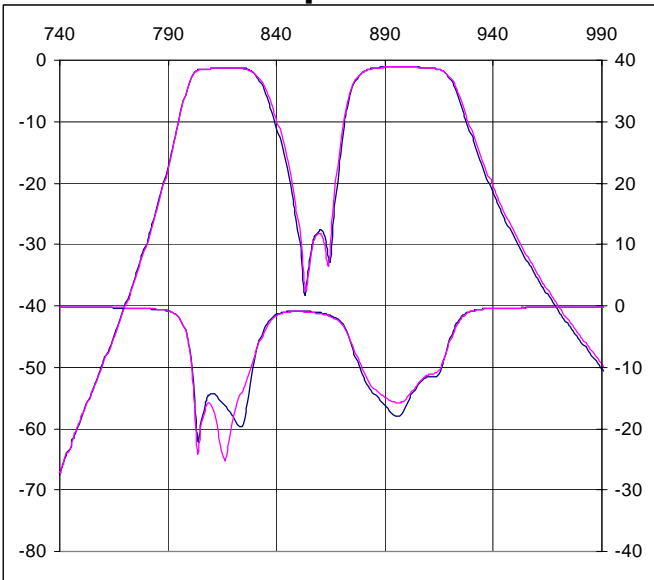
Rev 3 – Origin Date: July 21, 2006 – Revision Date: October 26, 2007



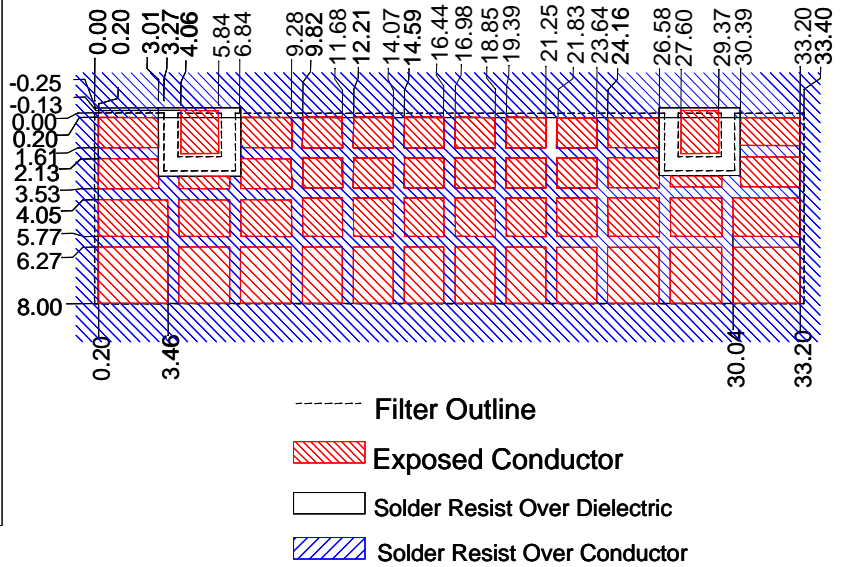
Dimension	Nominal (mm)	Tolerance (mm) +/-
<b>B</b>	<b>33.80</b>	<b>max</b>
<b>D</b>	<b>5.02</b>	<b>0.25</b>
<b>F</b>	<b>23.53</b>	<b>0.13</b>
<b>G</b>	<b>2.03</b>	<b>0.13</b>
<b>H</b>	<b>0.64</b>	<b>0.13</b>
<b>I</b>	<b>0.64</b>	<b>0.13</b>
<b>J</b>	<b>2.03</b>	<b>0.13</b>
<b>K</b>	<b>8.00</b>	<b>max</b>
<b>L</b>	<b>7.00</b>	<b>max</b>
<b>M</b>	<b>6.50</b>	<b>max</b>
<b>N*</b>	<b>0.89</b>	<b>0.13</b>

\*Indicates Reference Only

**Electrical Response**

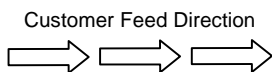


**PCB Layout**



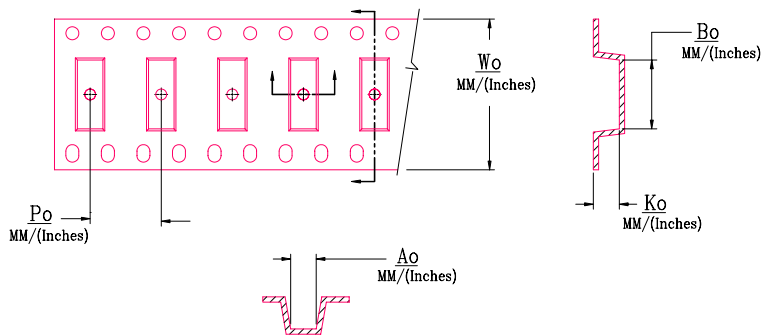
**Packaging and Marking**

DIMENSION	UNITS	SPECIFICATION
REEL DIAMETER	mm	330
REEL WEIGHT	kg	3.8
REEL QUANTITY	ea.	250



**Product Marking**

CTS  
440  
YWW



MODEL NO.	Wo	Ao	Bo	Ko	Po
	56.0/(2.205)	8.00/(0.315)	34.10/(1.343)	6.70/(0.264)	16.0/(0.630)