

Excellent Integrated System Limited

Stocking Distributor

Click to view price, real time Inventory, Delivery & Lifecycle Information:

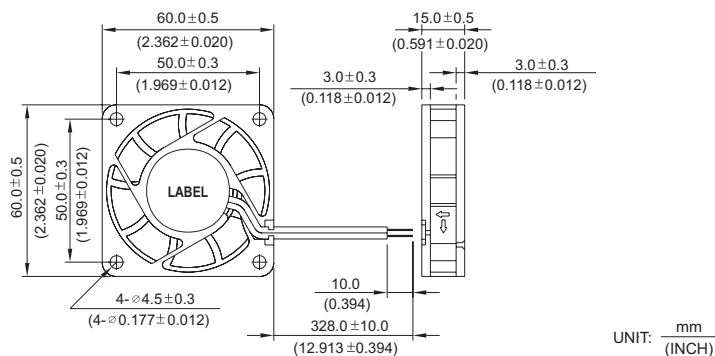
[Delta Electronics](#)
[AFB0612HHB-R00](#)

For any questions, you can email us directly:
sales@integrated-circuit.com



AFB 60 x 60 x 15 MM SERIES

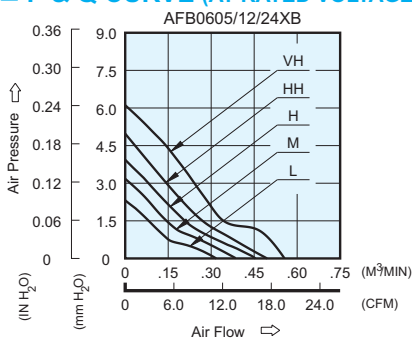
DIMENSIONS DRAWING



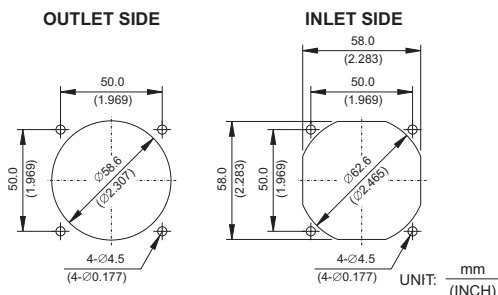
UNIT: mm (INCH)

- * Bearing Type
Ball Bearings
- * Material
Impeller & Frame : Plastic (UL 94V-0)
- * Lead Wires :
UL 1007 AWG #24 Or Equivalent
Red Wire Positive (+)
Black Wire Negative (-)
- * Weight : 44g (1.55 oz)
- * Rib Type Only

P & Q CURVE (AT RATED VOLTAGE)



MOUNTING PANEL CUTOUT



| MODEL | | Rated Voltage | Operating Voltage Range | Rated Current | Rated Input Power | Speed | Maximum Air Flow | | Maximum Air Pressure | | Noise |
|------------|-------------|---------------|-------------------------|---------------|-------------------|--------|---------------------|-------|----------------------|---------------------|-------|
| PART NO. | FUNCTION | VDC | VDC | Amp | Watt | R.P.M. | m ³ /min | CFM | MmH ₂ O | IN H ₂ O | dB-A |
| AFB0605LB | / -F00 | 5 | 4.0 to 6.0 | 0.13 | 0.65 | 3000 | 0.327 | 11.55 | 2.21 | 0.087 | 24.0 |
| AFB0612LB | -R00 / -F00 | 12 | 7.0 to 13.8 | 0.07 | 0.84 | | | | | | |
| AFB0624LB | -R00 / -F00 | 24 | 14.0 to 27.6 | 0.04 | 0.96 | | | | | | |
| AFB0605MB | / -F00 | 5 | 4.0 to 6.0 | 0.20 | 1.00 | 3500 | 0.381 | 13.45 | 3.01 | 0.119 | 29.0 |
| AFB0612MB | -R00 / -F00 | 12 | 7.0 to 13.8 | 0.08 | 0.96 | | | | | | |
| AFB0624MB | -R00 / -F00 | 24 | 14.0 to 27.6 | 0.06 | 1.44 | | | | | | |
| AFB0605HB | / -F00 | 5 | 4.0 to 6.0 | 0.30 | 1.50 | 4000 | 0.435 | 15.36 | 3.93 | 0.155 | 32.0 |
| AFB0612HB | -R00 / -F00 | 12 | 7.0 to 13.8 | 0.10 | 1.20 | | | | | | |
| AFB0624HB | -R00 / -F00 | 24 | 14.0 to 27.6 | 0.08 | 1.92 | | | | | | |
| AFB0605HHB | / -F00 | 12 | 4.0 to 6.0 | 0.40 | 2.00 | 4500 | 0.490 | 17.30 | 4.97 | 0.195 | 35.0 |
| AFB0612HHB | -R00 / -F00 | 12 | 7.0 to 13.8 | 0.12 | 1.44 | | | | | | |
| AFB0624HHB | -R00 / -F00 | 24 | 14.0 to 27.6 | 0.10 | 2.40 | | | | | | |
| AFB0612VHB | -R00 / -F00 | 12 | 7.0 to 13.8 | 0.16 | 1.92 | 5000 | 0.550 | 19.42 | 6.10 | 0.240 | 37.0 |
| AFB0624VHB | -R00 / -F00 | 24 | 14.0 to 27.6 | 0.11 | 2.64 | | | | | | |

* Function type is optional.
 * The max. air flow and the speed are measured in free air ; max. air pressure is measured at zero air flow.
 * Noise is measured in anechoic chamber in free air, one meter from intake side.
 * All readings are typical values at rated voltage.
 * Specifications are subject to change without notice.
 * Both of the ball bearing and the 1 ball + 1 Sleeve type are available.