



**Distributor of Texas Instruments: Excellent Integrated System Limited**

Datasheet of ISO7330CDW - DGTL ISO 3KV 3CH HIGH 16SOIC

Contact us: [sales@integrated-circuit.com](mailto:sales@integrated-circuit.com) Website: [www.integrated-circuit.com](http://www.integrated-circuit.com)

---

## **Excellent Integrated System Limited**

Stocking Distributor

Click to view price, real time Inventory, Delivery & Lifecycle Information:

[Texas Instruments](#)  
[ISO7330CDW](#)

For any questions, you can email us directly:

[sales@integrated-circuit.com](mailto:sales@integrated-circuit.com)

## ISO733x Robust EMC, Low Power, Triple-Channel Digital Isolators

### 1 Features

- Signaling Rate: 25 Mbps
- Integrated Noise Filter on the Inputs
- Default Output 'High' and 'Low' Options
- Low Power Consumption: Typical  $I_{CC}$  per Channel at 1 Mbps:
  - ISO7330: 1 mA (5 V Supplies), 0.8 mA (3.3 V Supplies)
  - ISO7331: 1.4 mA (5 V Supplies), 1 mA (3.3 V Supplies)
- Low Propagation Delay: 32 ns Typical (5V Supplies)
- Operates from 3.3 V and 5 V Supplies
- 3.3 V and 5 V Level Translation
- Wide Temperature Range:  $-40^{\circ}\text{C}$  to  $125^{\circ}\text{C}$
- 70 KV/ $\mu\text{s}$  Transient Immunity, Typical (5V Supplies)
- Robust Electromagnetic Compatibility (EMC)
  - System-level ESD, EFT, and Surge Immunity
  - Low Emissions
- Wide Body SOIC-16 Package
- Isolation Barrier Life: > 25 Years
- Safety and Regulatory Approvals:
  - 4242  $V_{PK}$  Isolation per DIN V VDE V 0884-10 and DIN EN 61010-1
  - 3000  $V_{RMS}$  Isolation for 1 minute per UL 1577
  - CSA Component Acceptance Notice 5A, IEC 60950-1 and IEC 61010-1 End Equipment Standards
  - CQC Certification per GB4943.1-2011

### 2 Applications

- Opto-Coupler Replacement in:
  - Industrial FieldBus
    - ProfiBus
    - ModBus
    - DeviceNet™ Data Buses
  - Servo Control Interface
  - Motor Control
  - Power Supplies
  - Battery Packs

### 3 Description

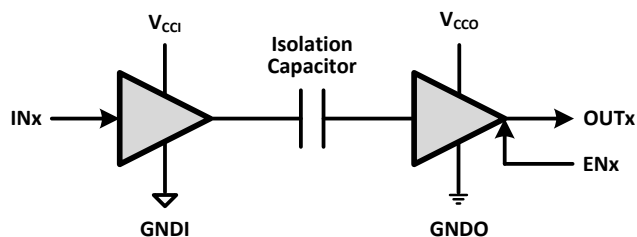
ISO733x provide galvanic isolation up to 3000  $V_{RMS}$  for 1 minute per UL and 4242  $V_{PK}$  per VDE. These devices have three isolated channels comprised of logic input and output buffers separated by a silicon dioxide ( $\text{SiO}_2$ ) insulation barrier. ISO7330 has all three channels in the same direction while ISO7331 has two channels in forward and one channel in reverse direction. In case of input power or signal loss, default output is 'low' for devices with suffix 'F' and 'high' for devices without suffix 'F'. Used in conjunction with isolated power supplies, these devices prevent noise currents on a data bus or other circuits from entering the local ground and interfering with or damaging sensitive circuitry. ISO733x has integrated noise filter for harsh industrial environment where short noise pulses may be present at the device input pins. ISO733x has TTL input thresholds and operates from 3 V to 5.5 V supply levels. Through innovative chip design and layout techniques, electromagnetic compatibility of ISO733x has been significantly enhanced to enable system-level ESD, EFT, Surge and Emissions compliance.

#### Device Information<sup>(1)</sup>

| PART NUMBER | PACKAGE   | BODY SIZE (NOM) |
|-------------|-----------|-----------------|
| ISO7330C    | SOIC (16) | 10,3mm x 7,5mm  |
| ISO7330FC   |           |                 |
| ISO7331C    |           |                 |
| ISO7331FC   |           |                 |

(1) For all available packages, see the orderable addendum at the end of the datasheet.

#### Simplified Schematic



(1)  $V_{CCI}$  and  $GNDI$  are supply and ground connections respectively for the input channels.

(2)  $V_{CCO}$  and  $GNDO$  are supply and ground connections respectively for the output.



**ISO7330C, ISO7330FC, ISO7331C, ISO7331FC**

SLLSEK9B – JANUARY 2015 – REVISED APRIL 2015

www.ti.com

**Table of Contents**

|  |           |  |           |
|--|-----------|--|-----------|
| <b>1 Features</b> .....                          | <b>1</b>  | 8.2 Functional Block Diagram .....                               | <b>12</b> |
| <b>2 Applications</b> .....                      | <b>1</b>  | 8.3 Feature Description .....                                    | <b>13</b> |
| <b>3 Description</b> .....                       | <b>1</b>  | 8.4 Device Functional Modes .....                                | <b>16</b> |
| <b>4 Revision History</b> .....                  | <b>2</b>  | <b>9 Applications and Implementation</b> .....                   | <b>17</b> |
| <b>5 Pin Configuration and Functions</b> .....   | <b>3</b>  | 9.1 Application Information .....                                | <b>17</b> |
| <b>6 Specifications</b> .....                    | <b>4</b>  | 9.2 Typical Application .....                                    | <b>17</b> |
| 6.1 Absolute Maximum Ratings .....               | <b>4</b>  | <b>10 Power Supply Recommendations</b> .....                     | <b>19</b> |
| 6.2 ESD Ratings .....                            | <b>4</b>  | <b>11 Layout</b> .....   | <b>20</b> |
| 6.3 Recommended Operating Conditions .....       | <b>4</b>  | 11.1 PCB Material .....  | <b>20</b> |
| 6.4 Thermal Information .....                    | <b>4</b>  | 11.2 Layout Guidelines .....                                     | <b>20</b> |
| 6.5 Electrical Characteristics .....             | <b>5</b>  | 11.3 Layout Example .....  | <b>20</b> |
| 6.6 Electrical Characteristics .....             | <b>6</b>  | <b>12 Device and Documentation Support</b> .....                 | <b>21</b> |
| 6.7 Switching Characteristics .....              | <b>7</b>  | 12.1 Related Links .....   | <b>21</b> |
| 6.8 Switching Characteristics .....              | <b>7</b>  | 12.2 Trademarks .....  | <b>21</b> |
| 6.9 Typical Characteristics .....                | <b>8</b>  | 12.3 Electrostatic Discharge Caution .....                       | <b>21</b> |
| <b>7 Parameter Measurement Information</b> ..... | <b>10</b> | 12.4 Glossary .....  | <b>21</b> |
| <b>8 Detailed Description</b> .....              | <b>12</b> | <b>13 Mechanical, Packaging, and Orderable Information</b> ..... | <b>21</b> |
| 8.1 Overview .....                               | <b>12</b> |  |           |

**4 Revision History**

**Changes from Revision A (April 2015) to Revision B**

**Page**

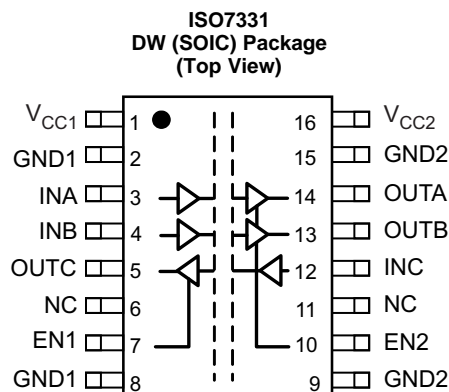
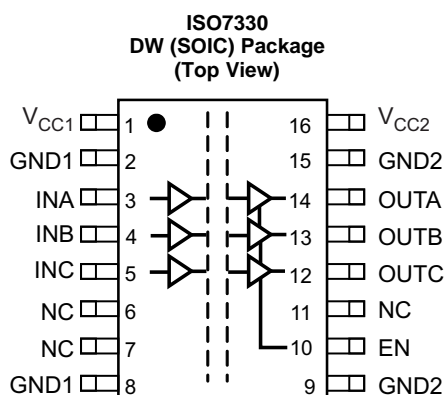
|  |           |
|--|-----------|
| • Changed "(VDE V 0884-10):2006-12" To "and DIN EN 61010-1" in the 4242 V <sub>PK</sub> in the <i>Features</i> ..... | <b>1</b>  |
| • Changed From: V <sub>CCI</sub> To: V <sub>CC</sub> in <i>Figure 12</i> .....                                       | <b>10</b> |
| • Deleted IEC from the section title: <i>Package Insulation Specifications</i> .....                                 | <b>13</b> |
| • Changed the CTI Test Conditions in <i>Package Insulation Specifications</i> .....                                  | <b>13</b> |
| • Changed V <sub>ISO</sub> Test Condition in the <i>Insulation Characteristics</i> table .....                       | <b>14</b> |
| • Deleted the V <sub>ISO</sub> Specification 3600 in the <i>Insulation Characteristics</i> table .....               | <b>14</b> |

**Changes from Original (January 2015) to Revision A**

**Page**

|   |          |
|---|----------|
| • Changed the device From: Product Preview To: Production data .....                              | <b>1</b> |
| • Changed <i>Features</i> From: ISO7330: TBD mA To: 1 mA .....                                    | <b>1</b> |
| • Changed <i>Features</i> From: ISO731: TBD mA (3.3 V Supplies) To: 0.8 mA .....                  | <b>1</b> |
| • Changed <i>Features</i> From: ISO731: TBD mA (5 V Supplies) To: 1.4 mA .....                    | <b>1</b> |
| • Changed <i>Features</i> From: 65 KV/μs Transient Immunity To: 70 KV/μs Transient Immunity ..... | <b>1</b> |
| • Changed the Safety and Regulatory Approvals <i>Features</i> .....                               | <b>1</b> |
| • Changed the <i>Simplified Schematic</i> and added Notes 1 and 2 .....                           | <b>1</b> |

## 5 Pin Configuration and Functions



### Pin Functions

| NAME             | PIN      |         | I/O | DESCRIPTION  |
|------------------|----------|---------|-----|--|
|                  | ISO7330  | ISO7331 |     |  |
| V <sub>CC1</sub> | 1        | 1       | –   | Power supply, V <sub>CC1</sub>   |
| V <sub>CC2</sub> | 16       | 16      | –   | Power supply, V <sub>CC2</sub>   |
| GND1             | 2, 8     | 2, 8    | –   | Ground connection for V <sub>CC1</sub>   |
| GND2             | 9, 15    | 9, 15   | –   | Ground connection for V <sub>CC2</sub>   |
| INA              | 3        | 3       | I   | Input, channel A   |
| INB              | 4        | 4       | I   | Input, channel B   |
| INC              | 5        | 12      | I   | Input, channel C   |
| NC               | 6, 7, 11 | 6, 11   | –   | No Connect. These pins have no internal connection.  |
| OUTA             | 14       | 14      | O   | Output, channel A  |
| OUTB             | 13       | 13      | O   | Output, channel B  |
| OUTC             | 12       | 5       | O   | Output, channel C  |
| EN               | 10       | –       | I   | Output enable. OUTA, OUTB, and OUTC are enabled when EN is high or disconnected and disabled when EN is low. |
| EN1              | –        | 7       | I   | Output enable 1. OUTC is enabled when EN1 is high or disconnected and disabled when EN1 is low.              |
| EN2              | –        | 10      | I   | Output enable 2. OUTA and OUTB are enabled when EN2 is high or disconnected and disabled when EN2 is low.    |

## ISO7330C, ISO7330FC, ISO7331C, ISO7331FC

SLLSEK9B – JANUARY 2015 – REVISED APRIL 2015

www.ti.com

## 6 Specifications

### 6.1 Absolute Maximum Ratings<sup>(1)</sup>

|                                       |                                     | MIN  | MAX                                 | UNIT |
|---------------------------------------|-------------------------------------|------|-------------------------------------|------|
| Supply voltage <sup>(2)</sup>         | V <sub>CC1</sub> , V <sub>CC2</sub> | -0.5 | 6                                   | V    |
| Voltage <sup>(2)</sup>                | INx, OUTx, ENx                      | -0.5 | V <sub>CC</sub> +0.5 <sup>(3)</sup> | V    |
| Output current, I <sub>O</sub>        |                                     |      | ±15                                 | mA   |
| Junction temperature, T <sub>J</sub>  |                                     |      | 150                                 | °C   |
| Storage temperature, T <sub>stg</sub> |                                     | -65  | 150                                 | °C   |

- (1) Stresses beyond those listed under *absolute maximum ratings* may cause permanent damage to the device. These are stress ratings only and functional operation of the device at these or any other conditions beyond those indicated under *recommended operating conditions* is not implied. Exposure to absolute-maximum-rated conditions for extended periods may affect device reliability.
- (2) All voltage values are with respect to network ground terminal and are peak voltage values.
- (3) Maximum voltage must not exceed 6 V.

### 6.2 ESD Ratings

|                  |  | VALUE | UNIT |
|------------------|--|-------|------|
| V <sub>ESD</sub> | Human body model (HBM), per ANSI/ESDA/JEDEC JS-001 <sup>(1)</sup>              | ±4000 | V    |
|                  | Charged device model (CDM), per JEDEC specification JESD22-C101 <sup>(2)</sup> | ±1500 | V    |

- (1) JEDEC document JEP155 states that 500-V HBM allows safe manufacturing with a standard ESD control process.
- (2) JEDEC document JEP157 states that 250-V CDM allows safe manufacturing with a standard ESD control process.

### 6.3 Recommended Operating Conditions

|                                     |                           | MIN | TYP | MAX | UNIT |
|-------------------------------------|---------------------------|-----|-----|-----|------|
| V <sub>CC1</sub> , V <sub>CC2</sub> | Supply voltage            | 3   |     | 5.5 | V    |
| I <sub>OH</sub>                     | High-level output current | -4  |     |     | mA   |
| I <sub>OL</sub>                     | Low-level output current  |     |     | 4   | mA   |
| V <sub>IH</sub>                     | High-level input voltage  | 2   |     | 5.5 | V    |
| V <sub>IL</sub>                     | Low-level input voltage   | 0   |     | 0.8 | V    |
| t <sub>ui</sub>                     | Input pulse duration      | 40  |     |     | ns   |
| 1 / t <sub>ui</sub>                 | Signaling rate            | 0   |     | 25  | Mbps |
| T <sub>J</sub> <sup>(1)</sup>       | Junction temperature      |     |     | 136 | °C   |
| T <sub>A</sub>                      | Ambient temperature       | -40 | 25  | 125 | °C   |

- (1) To maintain the recommended operating conditions for T<sub>J</sub>, see the [Thermal Information](#) table.

### 6.4 Thermal Information

| THERMAL METRIC <sup>(1)</sup> |  | DW PACKAGE<br>(16) PINS | UNIT |
|-------------------------------|--|-------------------------|------|
| R <sub>θJA</sub>              | Junction-to-ambient thermal resistance         | 78.3                    | °C/W |
| R <sub>θJctop</sub>           | Junction-to-case (top) thermal resistance      | 40.9                    |      |
| R <sub>θJB</sub>              | Junction-to-board thermal resistance           | 42.9                    |      |
| ψ <sub>JT</sub>               | Junction-to-top characterization parameter     | 15.3                    |      |
| ψ <sub>JB</sub>               | Junction-to-board characterization parameter   | 42.4                    |      |
| R <sub>θJcbot</sub>           | Junction-to-case (bottom) thermal resistance   | N/A                     |      |
| P <sub>D</sub> (ISO7330)      | Maximum Power Dissipation by ISO7330           | 70                      | mW   |
| P <sub>D1</sub> (ISO7330)     | Maximum Power Dissipation by Side-1 of ISO7330 | 20                      |      |
| P <sub>D2</sub> (ISO7330)     | Maximum Power Dissipation by Side-2 of ISO7330 | 50                      |      |
| P <sub>D</sub> (ISO7331)      | Maximum Power Dissipation by ISO7331           | 84                      | mW   |
| P <sub>D1</sub> (ISO7331)     | Maximum Power Dissipation by Side-1 of ISO7331 | 35                      |      |
| P <sub>D2</sub> (ISO7331)     | Maximum Power Dissipation by Side-2 of ISO7331 | 49                      |      |

- (1) For more information about traditional and new thermal metrics, see the IC Package Thermal Metrics application report, [SPRA953](#).

## 6.5 Electrical Characteristics

$V_{CC1}$  and  $V_{CC2}$  at 5 V  $\pm$  10% (over recommended operating conditions unless otherwise noted)

| PARAMETER  |  | TEST CONDITIONS                       |   | MIN                   | TYP | MAX | UNIT        |
|--|--|---------------------------------------|---|-----------------------|-----|-----|-------------|
| $V_{OH}$   | High-level output voltage                  | $I_{OH} = -4$ mA; see Figure 11       |   | $V_{CCO}^{(1)} - 0.5$ | 4.7 |     | V           |
|  |  | $I_{OH} = -20$ $\mu$ A; see Figure 11 |   | $V_{CCO}^{(1)} - 0.1$ | 5   |     |             |
| $V_{OL}$   | Low-level output voltage                   | $I_{OL} = 4$ mA; see Figure 11        |   |                       | 0.2 | 0.4 | V           |
|  |  | $I_{OL} = 20$ $\mu$ A; see Figure 11  |   |                       | 0   | 0.1 |             |
| $V_{I(HYS)}$   | Input threshold voltage hysteresis         |                                       |   |                       | 480 |     | mV          |
| $I_{IH}$   | High-level input current                   | $I_N = V_{CC}$                        |   |                       |     | 10  | $\mu$ A     |
| $I_{IL}$   | Low-level input current                    | $I_N = 0$ V                           |   | -10                   |     |     | $\mu$ A     |
| CMTI   | Common-mode transient immunity             | $V_I = V_{CC}$ or 0 V; see Figure 14. |   | 25                    | 70  |     | kV/ $\mu$ s |
| <b>SUPPLY CURRENT (All inputs switching with square wave clock signal for dynamic <math>I_{CC}</math> measurement)</b> |  |                                       |   |                       |     |     |             |
| <b>ISO7330</b>   |  |                                       |   |                       |     |     |             |
| $I_{CC1}$  | Supply current for $V_{CC1}$ and $V_{CC2}$ | Disable                               | $V_I = V_{CC}$ or 0 V,<br>$EN = 0$ V                        |                       | 0.5 | 1.1 | mA          |
| $I_{CC2}$  |  |                                       |   |                       | 0.4 | 0.9 |             |
| $I_{CC1}$  |  | DC to 1 Mbps                          | DC Input: $V_I = V_{CC}$ or 0 V,<br>AC Input: $C_L = 15$ pF |                       | 0.5 | 1.1 |             |
| $I_{CC2}$  |  |                                       |   |                       | 2.6 | 4.2 |             |
| $I_{CC1}$  |  | 10 Mbps                               | $C_L = 15$ pF   |                       | 1.1 | 1.9 |             |
| $I_{CC2}$  |  |                                       |   |                       | 4.3 | 6   |             |
| $I_{CC1}$  |  | 25 Mbps                               | $C_L = 15$ pF   |                       | 2.1 | 3.3 |             |
| $I_{CC2}$  |  |                                       |   |                       | 7   | 9.3 |             |
| <b>ISO7331</b>   |  |                                       |   |                       |     |     |             |
| $I_{CC1}$  | Supply current for $V_{CC1}$ and $V_{CC2}$ | Disable                               | $V_I = V_{CC}$ or 0 V,<br>$EN1 = EN2 = 0$ V                 |                       | 0.7 | 1.6 | mA          |
| $I_{CC2}$  |  |                                       |   |                       | 0.7 | 1.3 |             |
| $I_{CC1}$  |  | DC to 1 Mbps                          | DC Input: $V_I = V_{CC}$ or 0 V,<br>AC Input: $C_L = 15$ pF |                       | 1.8 | 3   |             |
| $I_{CC2}$  |  |                                       |   |                       | 2.4 | 3.6 |             |
| $I_{CC1}$  |  | 10 Mbps                               | $C_L = 15$ pF   |                       | 2.8 | 4.1 |             |
| $I_{CC2}$  |  |                                       |   |                       | 3.8 | 5.1 |             |
| $I_{CC1}$  |  | 25 Mbps                               | $C_L = 15$ pF   |                       | 4.3 | 6.2 |             |
| $I_{CC2}$  |  |                                       |   |                       | 5.8 | 7.8 |             |

(1)  $V_{CCO}$  is supply voltage,  $V_{CC1}$  or  $V_{CC2}$ , for the output channel being measured.

## ISO7330C, ISO7330FC, ISO7331C, ISO7331FC

SLLSEK9B – JANUARY 2015 – REVISED APRIL 2015

www.ti.com

### 6.6 Electrical Characteristics

$V_{CC1}$  and  $V_{CC2}$  at 3.3 V  $\pm$  10% (over recommended operating conditions unless otherwise noted)

| PARAMETER                                       | TEST CONDITIONS                       | MIN                   | TYP | MAX | UNIT        |
|---|---------------------------------------|-----------------------|-----|-----|-------------|
| $V_{OH}$ High-level output voltage              | $I_{OH} = -4$ mA; see Figure 11       | $V_{CC0}^{(1)} - 0.5$ | 3   |     | V           |
|   | $I_{OH} = -20$ $\mu$ A; see Figure 11 | $V_{CC0}^{(1)} - 0.1$ | 3.3 |     |             |
| $V_{OL}$ Low-level output voltage               | $I_{OL} = 4$ mA; see Figure 11        |                       | 0.2 | 0.4 | V           |
|   | $I_{OL} = 20$ $\mu$ A; see Figure 11  |                       | 0   | 0.1 |             |
| $V_{I(HYS)}$ Input threshold voltage hysteresis |                                       |                       | 425 |     | mV          |
| $I_{IH}$ High-level input current               | $I_N = V_{CC}$                        |                       |     | 10  | $\mu$ A     |
| $I_{IL}$ Low-level input current                | $I_N = 0$ V                           | -10                   |     |     | $\mu$ A     |
| CMTI Common-mode transient immunity             | $V_I = V_{CC}$ or 0 V; see Figure 14  | 25                    | 50  |     | kV/ $\mu$ s |

#### SUPPLY CURRENT(All inputs switching with square wave clock signal for dynamic $I_{CC}$ measurement)

| ISO7330   |  |              |   |     |     |    |
|-----------|--|--------------|---|-----|-----|----|
| $I_{CC1}$ | Supply current for $V_{CC1}$ and $V_{CC2}$ | Disable      | $V_I = V_{CC}$ or 0 V,<br>EN = 0 V                          | 0.3 | 0.6 | mA |
| $I_{CC2}$ |  |              |   | 0.3 | 0.6 |    |
| $I_{CC1}$ |  | DC to 1 Mbps | DC Input: $V_I = V_{CC}$ or 0 V,<br>AC Input: $C_L = 15$ pF | 0.3 | 0.6 |    |
| $I_{CC2}$ |  |              |   | 2   | 3.1 |    |
| $I_{CC1}$ |  | 10 Mbps      | $C_L = 15$ pF   | 0.7 | 1.1 |    |
| $I_{CC2}$ |  |              |   | 3.1 | 4.3 |    |
| $I_{CC1}$ |  | 25 Mbps      | $C_L = 15$ pF   | 1.2 | 2   |    |
| $I_{CC2}$ |  |              |   | 4.8 | 6.3 |    |
| ISO7331   |  |              |   |     |     |    |
| $I_{CC1}$ | Supply current for $V_{CC1}$ and $V_{CC2}$ | Disable      | $V_I = V_{CC}$ or 0 V,<br>EN = 0 V                          | 0.5 | 0.9 | mA |
| $I_{CC2}$ |  |              |   | 0.5 | 0.8 |    |
| $I_{CC1}$ |  | DC to 1 Mbps | DC Input: $V_I = V_{CC}$ or 0 V,<br>AC Input: $C_L = 15$ pF | 1.3 | 2.1 |    |
| $I_{CC2}$ |  |              |   | 1.7 | 2.6 |    |
| $I_{CC1}$ |  | 10 Mbps      | $C_L = 15$ pF   | 1.9 | 2.7 |    |
| $I_{CC2}$ |  |              |   | 2.6 | 3.5 |    |
| $I_{CC1}$ |  | 25 Mbps      | $C_L = 15$ pF   | 2.9 | 4.2 |    |
| $I_{CC2}$ |  |              |   | 3.9 | 5.2 |    |

(1)  $V_{CC0}$  is supply voltage,  $V_{CC1}$  or  $V_{CC2}$ , for the output channel being measured.

## 6.7 Switching Characteristics

$V_{CC1}$  and  $V_{CC2}$  at 5 V  $\pm$  10% (over recommended operating conditions unless otherwise noted)

| PARAMETER                   |  | TEST CONDITIONS             | MIN       | TYP | MAX   | UNIT    |                      |
|-----------------------------|--|-----------------------------|-----------|-----|-------|---------|----------------------|
| $t_{PLH}$ , $t_{PHL}$       | Propagation delay time                                   | See Figure 11               | 20        | 32  | 58    | ns      |                      |
| PWD <sup>(1)</sup>          | Pulse width distortion $ t_{PHL} - t_{PLH} $             |                             |           |     | 4     | ns      |                      |
| $t_{sk(o)}$ <sup>(2)</sup>  | Channel-to-channel output skew time                      | Same direction channels     |           |     | 2.5   | ns      |                      |
|                             |  | Opposite direction channels |           |     | 17    |         |                      |
| $t_{sk(pp)}$ <sup>(3)</sup> | Part-to-part skew time                                   |                             |           |     | 23    | ns      |                      |
| $t_r$                       | Output signal rise time                                  | See Figure 11               |           | 3   |       | ns      |                      |
| $t_f$                       | Output signal fall time                                  |                             |           | 2   |       | ns      |                      |
| $t_{PHZ}$                   | Disable propagation delay, high-to-high impedance output | See Figure 12               |           | 7   | 12    | ns      |                      |
| $t_{PLZ}$                   | Disable propagation delay, low-to-high impedance output  |                             |           | 7   | 12    |         |                      |
| $t_{PZH}$                   | Enable propagation delay, high impedance-to-high output  |                             | ISO733xC  |     | 7     |         | 12                   |
|                             |  |                             | ISO733xFC |     | 11000 |         | 23000 <sup>(4)</sup> |
| $t_{PZL}$                   | Enable propagation delay, high impedance-to-low output   |                             | ISO733xC  |     | 11000 |         | 23000 <sup>(4)</sup> |
|                             |  |                             | ISO733xFC |     | 7     |         | 12                   |
| $t_{fs}$                    | Fail-safe output delay time from input power loss        | See Figure 13               |           | 7   |       | $\mu$ s |                      |

- (1) Also known as pulse skew.
- (2)  $t_{sk(o)}$  is the skew between outputs of a single device with all driving inputs connected together and the outputs switching in the same direction while driving identical loads.
- (3)  $t_{sk(pp)}$  is the magnitude of the difference in propagation delay times between any terminals of different devices switching in the same direction while operating at identical supply voltages, temperature, input signals and loads.
- (4) The enable signal rate should be  $\leq$  43 Kbps

## 6.8 Switching Characteristics

$V_{CC1}$  and  $V_{CC2}$  at 3.3 V  $\pm$  10% (over recommended operating conditions unless otherwise noted)

| PARAMETER                   |  | TEST CONDITIONS             | MIN       | TYP | MAX   | UNIT    |                      |
|-----------------------------|--|-----------------------------|-----------|-----|-------|---------|----------------------|
| $t_{PLH}$ , $t_{PHL}$       | Propagation delay time                                   | See Figure 11               | 22        | 36  | 66    | ns      |                      |
| PWD <sup>(1)</sup>          | Pulse width distortion $ t_{PHL} - t_{PLH} $             |                             |           |     | 2.5   | ns      |                      |
| $t_{sk(o)}$ <sup>(2)</sup>  | Channel-to-channel output skew time                      | Same direction channels     |           |     | 3     | ns      |                      |
|                             |  | Opposite direction channels |           |     | 16    |         |                      |
| $t_{sk(pp)}$ <sup>(3)</sup> | Part-to-part skew time                                   |                             |           |     | 27    | ns      |                      |
| $t_r$                       | Output signal rise time                                  | See Figure 11               |           | 3   |       | ns      |                      |
| $t_f$                       | Output signal fall time                                  |                             |           | 2   |       | ns      |                      |
| $t_{PHZ}$                   | Disable propagation delay, high-to-high impedance output | See Figure 12               |           | 9   | 18    | ns      |                      |
| $t_{PLZ}$                   | Disable propagation delay, low-to-high impedance output  |                             |           | 9   | 18    |         |                      |
| $t_{PZH}$                   | Enable propagation delay, high impedance-to-high output  |                             | ISO733xC  |     | 9     |         | 18                   |
|                             |  |                             | ISO733xFC |     | 13000 |         | 24000 <sup>(4)</sup> |
| $t_{PZL}$                   | Enable propagation delay, high impedance-to-low output   |                             | ISO733xC  |     | 13000 |         | 24000 <sup>(4)</sup> |
|                             |  |                             | ISO733xFC |     | 9     |         | 18                   |
| $t_{fs}$                    | Fail-safe output delay time from input power loss        | See Figure 13               |           | 7   |       | $\mu$ s |                      |

- (1) Also known as pulse skew.
- (2)  $t_{sk(o)}$  is the skew between outputs of a single device with all driving inputs connected together and the outputs switching in the same direction while driving identical loads.
- (3)  $t_{sk(pp)}$  is the magnitude of the difference in propagation delay times between any terminals of different devices switching in the same direction while operating at identical supply voltages, temperature, input signals and loads.
- (4) The enable signal rate should be  $\leq$  41 Kbps

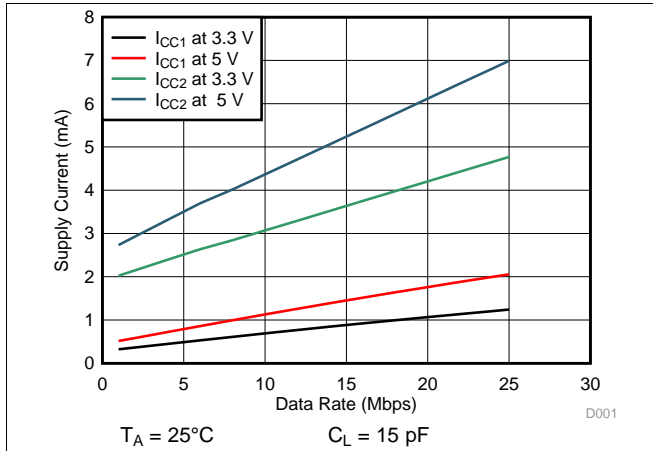


**ISO7330C, ISO7330FC, ISO7331C, ISO7331FC**

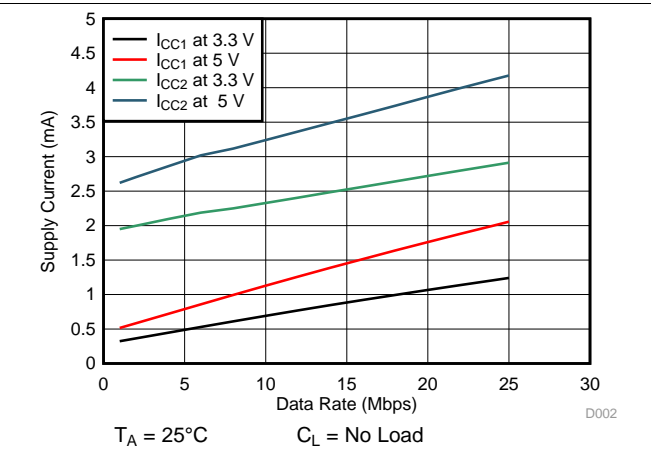
SLLSEK9B – JANUARY 2015 – REVISED APRIL 2015

www.ti.com

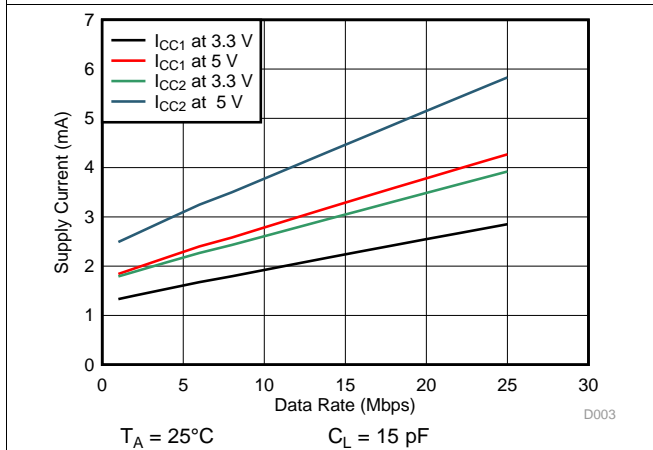
**6.9 Typical Characteristics**



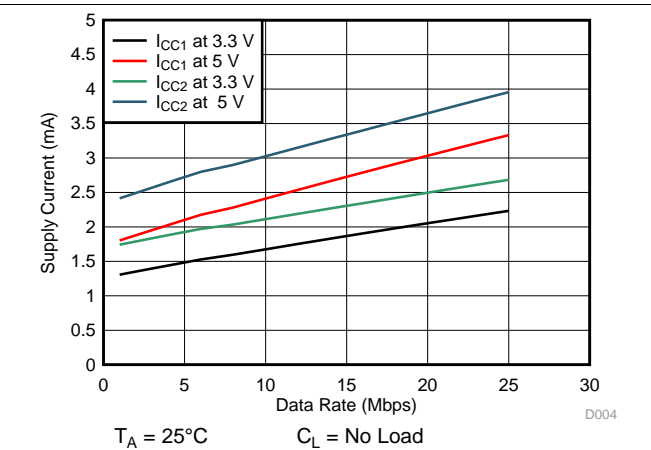
**Figure 1. ISO7330 Supply Current vs Data Rate (with 15 pF Load)**



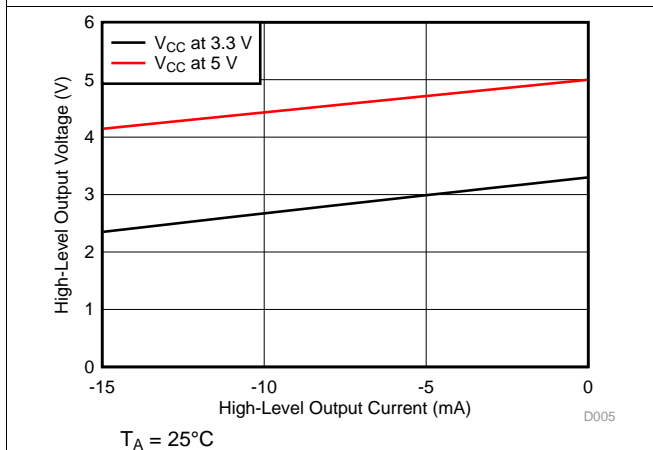
**Figure 2. ISO7330 Supply Current vs Data Rate (with No Load)**



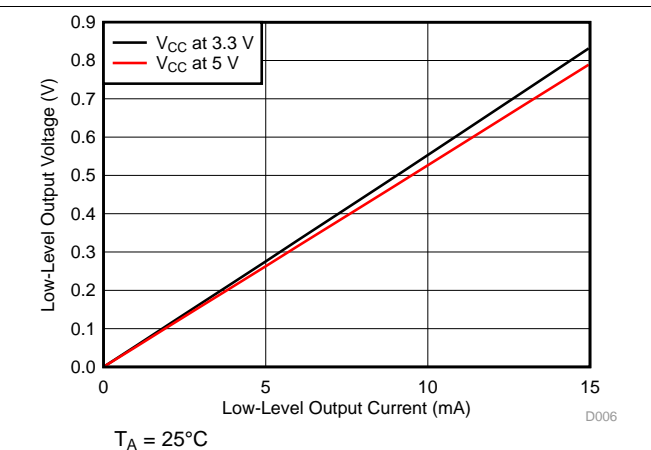
**Figure 3. ISO7331 Supply Current vs Data Rate (with 15 pF Load)**



**Figure 4. ISO7331 Supply Current vs Data Rate (with No Load)**

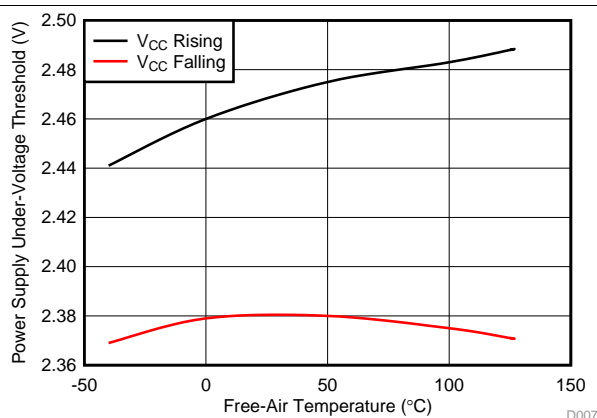


**Figure 5. High-Level Output Voltage vs High-level Output Current**

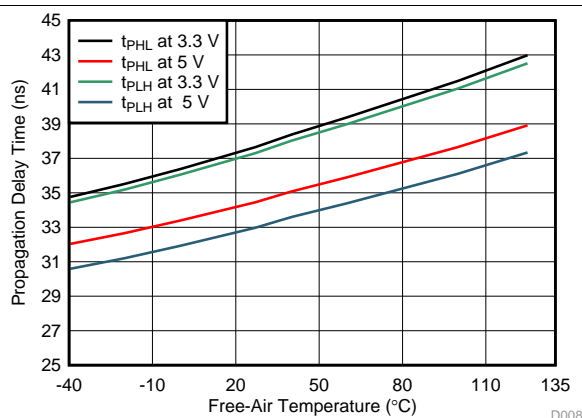


**Figure 6. Low-Level Output Voltage vs Low-Level Output Current**

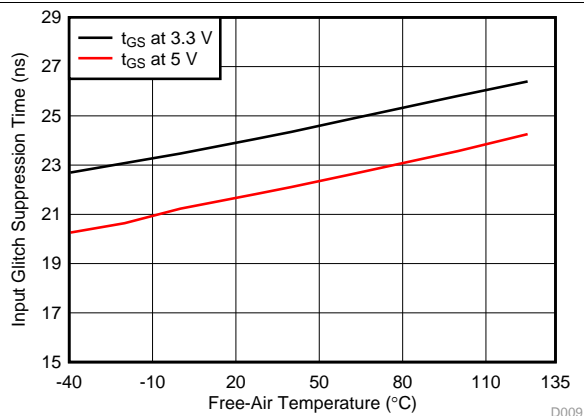
**Typical Characteristics (continued)**



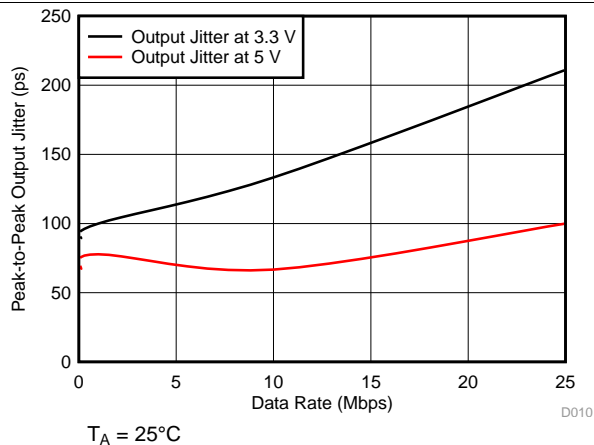
**Figure 7. Power Supply Undervoltage Threshold vs Free-Air Temperature**



**Figure 8. Propagation Delay Time vs Free-Air Temperature**



**Figure 9. Input Glitch Suppression Time vs Free-Air Temperature**



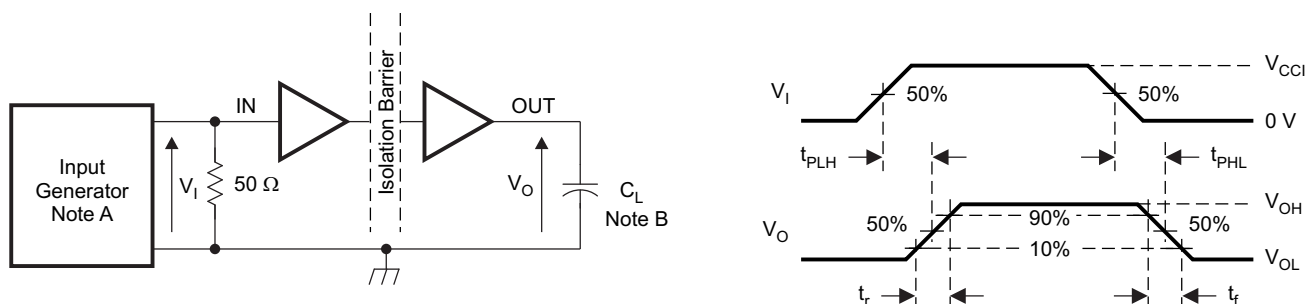
**Figure 10. Output Jitter vs Data Rate**

**ISO7330C, ISO7330FC, ISO7331C, ISO7331FC**

SLLSEK9B – JANUARY 2015 – REVISED APRIL 2015

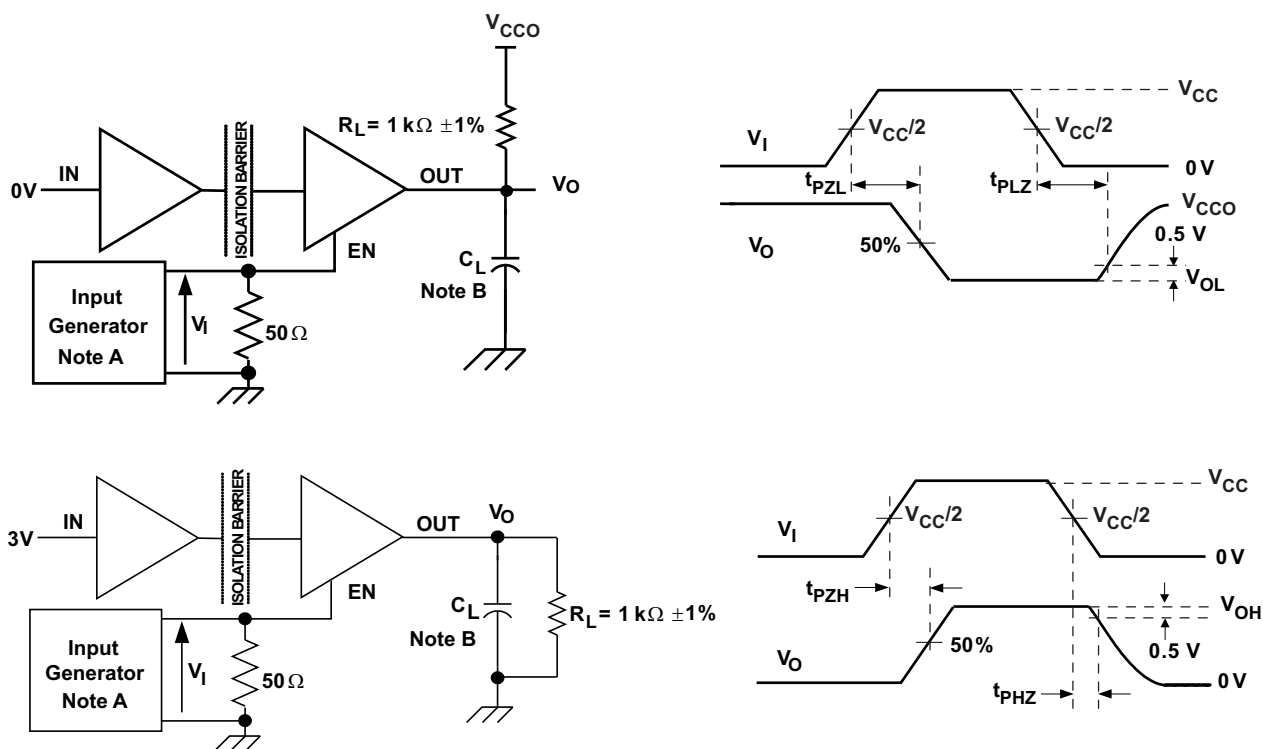
www.ti.com

**7 Parameter Measurement Information**



- A. The input pulse is supplied by a generator having the following characteristics: PRR ≤ 50 kHz, 50% duty cycle,  $t_r \leq 3$  ns,  $t_f \leq 3$  ns,  $Z_O = 50 \Omega$ . At the input, a 50-Ω resistor is required to terminate the Input Generator signal. It is not needed in actual application.
- B.  $C_L = 15$  pF and includes instrumentation and fixture capacitance within ±20%.

**Figure 11. Switching Characteristic Test Circuit and Voltage Waveforms**



- A. The input pulse is supplied by a generator having the following characteristics: PRR ≤ 10 kHz, 50% duty cycle,  $t_r \leq 3$  ns,  $t_f \leq 3$  ns,  $Z_O = 50 \Omega$ .
- B.  $C_L = 15$  pF and includes instrumentation and fixture capacitance within ±20%.

**Figure 12. Enable/Disable Propagation Delay Time Test Circuit and Waveform**



**ISO7330C, ISO7330FC, ISO7331C, ISO7331FC**

SLLSEK9B – JANUARY 2015 – REVISED APRIL 2015

www.ti.com

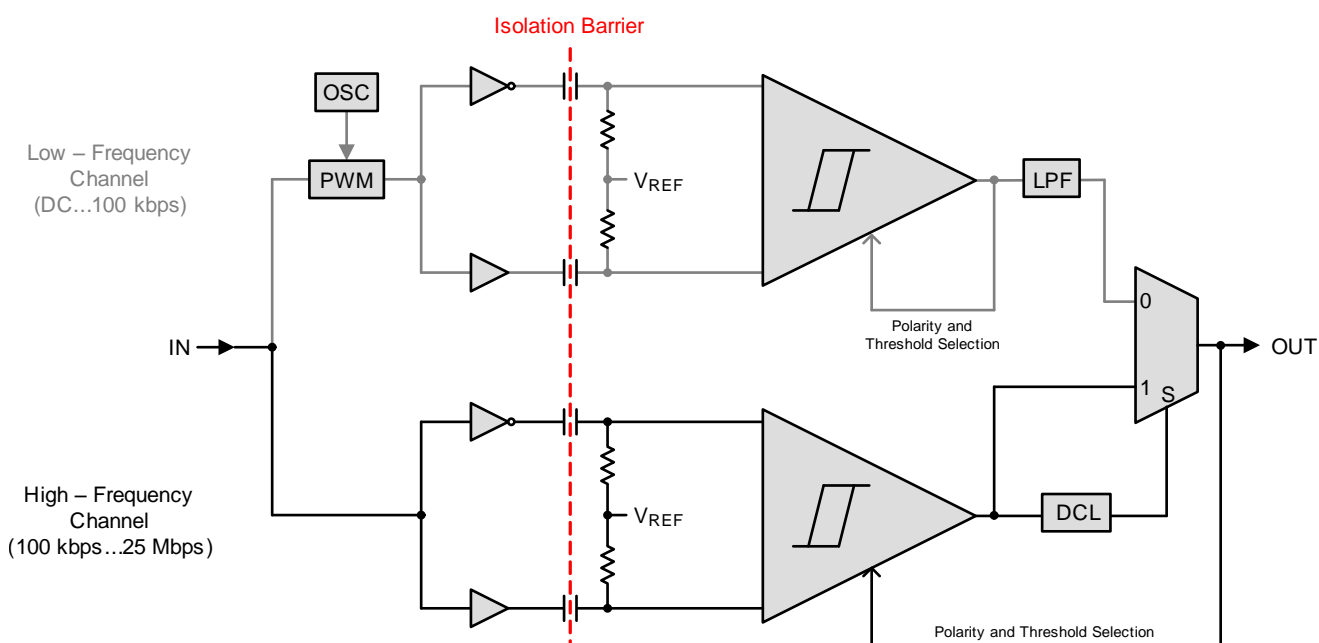
**8 Detailed Description**

**8.1 Overview**

The isolator in Figure 15 is based on a capacitive isolation barrier technique. The I/O channel of the device consists of two internal data channels, a high-frequency (HF) channel with a bandwidth from 100 kbps up to 25 Mbps, and a low-frequency (LF) channel covering the range from 100 kbps down to DC.

In principle, a single-ended input signal entering the HF channel is split into a differential signal via the inverter gate at the input. The following capacitor-resistor networks differentiate the signal into transient pulses, which then are converted into CMOS levels by a comparator. The transient pulses at the input of the comparator can be either above or below the common mode voltage  $V_{REF}$  depending on whether the input bit transitioned from 0 to 1 or 1 to 0. The comparator threshold is adjusted based on the expected bit transition. A decision logic (DCL) at the output of the HF channel comparator measures the durations between signal transients. If the duration between two consecutive transients exceeds a certain time limit, (as in the case of a low-frequency signal), the DCL forces the output-multiplexer to switch from the high-frequency to the low-frequency channel.

**8.2 Functional Block Diagram**



**Figure 15. Conceptual Block Diagram of a Digital Capacitive Isolator**

Because low-frequency input signals require the internal capacitors to assume prohibitively large values, these signals are pulse-width modulated (PWM) with the carrier frequency of an internal oscillator, thus creating a sufficiently high frequency, capable of passing the capacitive barrier. As the input is modulated, a low-pass filter (LPF) is needed to remove the high-frequency carrier from the actual data before passing it on to the output multiplexer.

### 8.3 Feature Description

| PRODUCT   | CHANNEL DIRECTION       | RATED ISOLATION   | MAX DATA RATE | DEFAULT OUTPUT |
|-----------|-------------------------|---|---------------|----------------|
| ISO7330C  | 3 Forward,<br>0 Reverse | 3000 V <sub>RMS</sub> / 4242 V <sub>PK</sub> <sup>(1)</sup> | 25 Mbps       | High           |
| ISO7330FC |                         |   |               | Low            |
| ISO7331C  | 2 Forward,<br>1 Reverse |   |               | High           |
| ISO7331FC |                         |   |               | Low            |

(1) See the [Regulatory Information](#) section for detailed Isolation Ratings

#### 8.3.1 High Voltage Feature Description

##### 8.3.1.1 Package Insulation Specifications

over recommended operating conditions (unless otherwise noted)

| PARAMETER       |   | TEST CONDITIONS   | MIN  | TYP               | MAX | UNIT |
|-----------------|---|---|------|-------------------|-----|------|
| L(I01)          | Minimum air gap (clearance)                           | Shortest terminal-to-terminal distance through air                                    | 8    |                   |     | mm   |
| L(I02)          | Minimum external tracking (creepage)                  | Shortest terminal-to-terminal distance across the package surface                     | 8    |                   |     | mm   |
| CTI             | Tracking resistance (comparative tracking index)      | DIN EN 60112 (VDE 0303-11); IEC 60112   | >400 |                   |     | V    |
| DTI             | Minimum internal gap (internal clearance)             | Distance through the insulation   | 13   |                   |     | µm   |
| R <sub>IO</sub> | Isolation resistance, input to output <sup>(1)</sup>  | V <sub>IO</sub> = 500 V, T <sub>A</sub> = 25°C  |      | >10 <sup>12</sup> |     | Ω    |
|                 |   | V <sub>IO</sub> = 500 V, 100°C ≤ T <sub>A</sub> ≤ max                                 |      | >10 <sup>11</sup> |     | Ω    |
| C <sub>IO</sub> | Isolation capacitance, input to output <sup>(1)</sup> | V <sub>IO</sub> = 0.4 sin(2πft), f = 1 MHz  |      | 2                 |     | pF   |
| C <sub>I</sub>  | Input capacitance <sup>(2)</sup>                      | V <sub>I</sub> = V <sub>CC</sub> /2 + 0.4 sin(2πft), f = 1 MHz, V <sub>CC</sub> = 5 V |      | 2                 |     | pF   |

(1) All pins on each side of the barrier tied together creating a two-terminal device.

(2) Measured from input pin to ground.

#### NOTE

Creepage and clearance requirements should be applied according to the specific equipment isolation standards of an application. Care should be taken to maintain the creepage and clearance distance of a board design to ensure that the mounting pads of the isolator on the printed-circuit board do not reduce this distance.

Creepage and clearance on a printed-circuit board become equal in certain cases. Techniques such as inserting grooves and/or ribs on a printed circuit board are used to help increase these specifications.

**ISO7330C, ISO7330FC, ISO7331C, ISO7331FC**

SLLSEK9B – JANUARY 2015 – REVISED APRIL 2015

www.ti.com

**8.3.1.2 Insulation Characteristics**

over recommended operating conditions (unless otherwise noted)

| PARAMETER <sup>(1)</sup> |   | TEST CONDITIONS   | SPECIFICATION    | UNIT             |
|--------------------------|---|---|------------------|------------------|
| V <sub>IOWM</sub>        | Maximum isolation working voltage                       |   | 1000             | V <sub>RMS</sub> |
| V <sub>IORM</sub>        | Maximum repetitive peak voltage per DIN V VDE V 0884-10 |   | 1414             | V <sub>PK</sub>  |
| V <sub>PR</sub>          | Input-to-output test voltage per DIN V VDE V 0884-10    | After Input/Output safety test subgroup 2/3, V <sub>PR</sub> = V <sub>IORM</sub> × 1.2, t = 10 s, Partial discharge < 5 pC  | 1697             | V <sub>PK</sub>  |
|                          |   | Method a, After environmental tests subgroup 1, V <sub>PR</sub> = V <sub>IORM</sub> × 1.6, t = 10 s, Partial Discharge < 5 pC   | 2262             |                  |
|                          |   | Method b1, V <sub>PR</sub> = V <sub>IORM</sub> × 1.875, t = 1 s (100% Production test) Partial discharge < 5 pC   | 2651             |                  |
| V <sub>IOTM</sub>        | Maximum transient overvoltage per DIN V VDE V 0884-10   | V <sub>TEST</sub> = V <sub>IOTM</sub><br>t = 60 sec (qualification)<br>t = 1 sec (100% production)  | 4242             | V <sub>PK</sub>  |
| V <sub>IOSM</sub>        | Maximum surge isolation voltage per DIN V VDE V 0884-10 | Test method per IEC 60065, 1.2/50 μs waveform, V <sub>TEST</sub> = 1.3 × V <sub>IOSM</sub> = 7800 V <sub>PK</sub> (qualification)   | 6000             | V <sub>PK</sub>  |
| V <sub>ISO</sub>         | Withstand isolation voltage per UL 1577                 | V <sub>TEST</sub> = V <sub>ISO</sub> = 3000 V <sub>RMS</sub> , t = 60 sec (qualification)<br>V <sub>TEST</sub> = 1.2 × V <sub>ISO</sub> = 3600 V <sub>RMS</sub> , t = 1 sec (100% production) | 3000             | V <sub>RMS</sub> |
| R <sub>S</sub>           | Insulation resistance                                   | V <sub>IO</sub> = 500 V at T <sub>S</sub>   | >10 <sup>9</sup> | Ω                |
|                          | Pollution degree  |   | 2                |                  |

(1) Climatic Classification 40/125/21

**Table 1. IEC 60664-1 Ratings Table**

| PARAMETER                   | TEST CONDITIONS                             | SPECIFICATION |
|-----------------------------|---|---------------|
| Basic isolation group       | Material group                              | II            |
| Installation classification | Rated mains voltage ≤ 300 V <sub>RMS</sub>  | I–IV          |
|                             | Rated mains voltage ≤ 600 V <sub>RMS</sub>  | I–III         |
|                             | Rated mains voltage ≤ 1000 V <sub>RMS</sub> | I–II          |

**8.3.1.3 Regulatory Information**

| VDE  | CSA  | UL  | CQC  |
|--|--|---|--|
| Certified according to DIN V VDE V 0884-10 (VDE V 0884-10):2006-12 and DIN EN 61010-1 (VDE 0411-1):2011-07   | Approved under CSA Component Acceptance Notice 5A, IEC 60950-1, and IEC 61010-1  | Recognized under UL 1577 Component Recognition Program  | Certified according to GB4943.1-2011   |
| Basic Insulation<br>Maximum Transient Overvoltage, 4242 V <sub>PK</sub> ;<br>Maximum Surge Isolation Voltage, 6000 V <sub>PK</sub> ;<br>Maximum Repetitive Peak Isolation Voltage', 1414 V <sub>PK</sub> | 800 V <sub>RMS</sub> Basic Insulation and 400 V <sub>RMS</sub> Reinforced Insulation working voltage per CSA 60950-1-07+A1+A2 and IEC 60950-1 2nd Ed.+A1+A2;<br>300 V <sub>RMS</sub> Basic Insulation working voltage per CSA 61010-1-12 and IEC 61010-1 3rd Ed. | Single protection, 3000 V <sub>RMS</sub> <sup>(1)</sup> | Reinforced Insulation, Altitude ≤ 5000 m, Tropical Climate, 250 V <sub>RMS</sub> maximum working voltage |
| Certificate number: 40016131   | Master contract number: 220991   | File number: E181974                                    | Certificate number: CQC15001121716   |

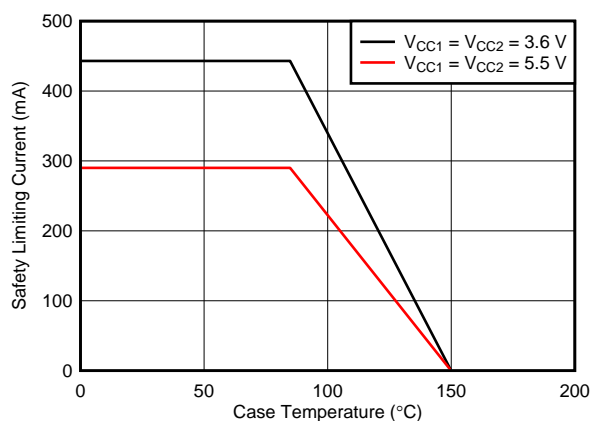
(1) Production tested ≥ 3600 V<sub>RMS</sub> for 1 second in accordance with UL 1577.

**8.3.1.4 Safety Limiting Values**

Safety limiting intends to prevent potential damage to the isolation barrier upon failure of input or output circuitry. A failure of the I/O can allow low resistance to ground or the supply and, without current limiting, dissipate sufficient power to overheat the die and damage the isolation barrier, potentially leading to secondary system failures.

| PARAMETER      | TEST CONDITIONS   | MIN | TYP | MAX | UNIT |
|----------------|---|-----|-----|-----|------|
| I <sub>S</sub> | R <sub>θJA</sub> = 78.3 °C/W, V <sub>I</sub> = 5.5 V, T <sub>J</sub> = 150°C, T <sub>A</sub> = 25°C |     |     | 290 | mA   |
|                | R <sub>θJA</sub> = 78.3 °C/W, V <sub>I</sub> = 3.6 V, T <sub>J</sub> = 150°C, T <sub>A</sub> = 25°C |     |     | 443 |      |
| T <sub>S</sub> | Maximum case temperature  |     |     | 150 | °C   |

The safety-limiting constraint is the absolute-maximum junction temperature specified in the *Absolut Maximun Ratings* table. The power dissipation and junction-to-air thermal impedance of the device installed in the application hardware determines the junction temperature. The assumed junction-to-air thermal resistance in the *Thermal Information* table is that of a device installed on a High-K Test Board for Leaded Surface-Mount Packages. The power is the recommended maximum input voltage times the current. The junction temperature is then the ambient temperature plus the power times the junction-to-air thermal resistance.



**Figure 16.  $\theta_{JC}$  Thermal Derating Curve per DIN V VDE V 0884-10**



**ISO7330C, ISO7330FC, ISO7331C, ISO7331FC**

SLLSEK9B – JANUARY 2015 – REVISED APRIL 2015

www.ti.com

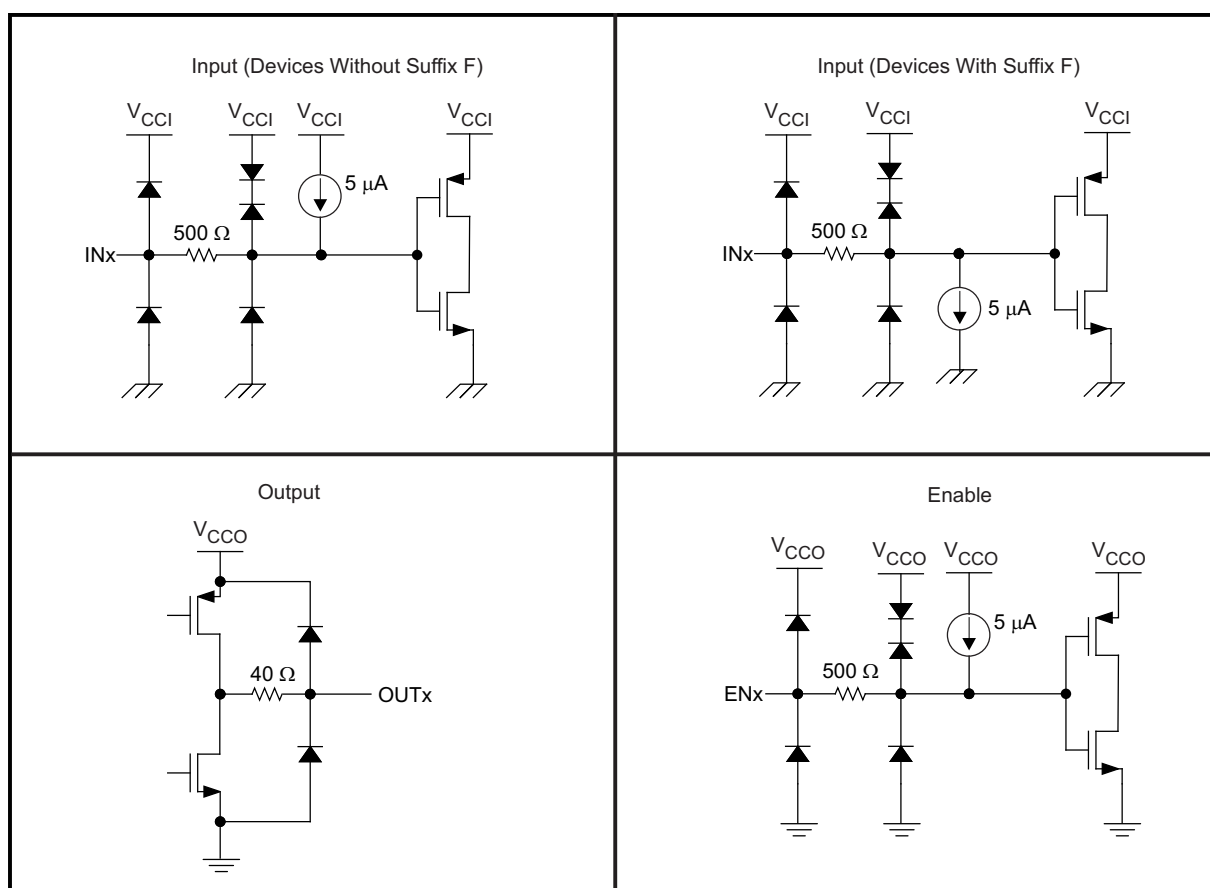
**8.4 Device Functional Modes**

**Table 2. Function Table<sup>(1)</sup>**

| V <sub>CCI</sub> | V <sub>CCO</sub> | INPUT (IN <sub>x</sub> ) | OUTPUT ENABLE (EN <sub>x</sub> ) | OUTPUT (OUT <sub>x</sub> ) |                  |
|------------------|------------------|--------------------------|----------------------------------|----------------------------|------------------|
|                  |                  |                          |                                  | ISO733xC                   | ISO733xFC        |
| PU               | PU               | H                        | H or Open                        | H                          | H                |
|                  |                  | L                        | H or Open                        | L                          | L                |
|                  |                  | X                        | L                                | Z                          | Z                |
|                  |                  | Open                     | H or Open                        | H <sup>(2)</sup>           | L <sup>(3)</sup> |
| PD               | PU               | X                        | H or Open                        | H <sup>(2)</sup>           | L <sup>(3)</sup> |
| X                | PU               | X                        | L                                | Z                          | Z                |
| X                | PD               | X                        | X                                | Undetermined               | Undetermined     |

- (1) V<sub>CCI</sub> = Input-side V<sub>CC</sub>; V<sub>CCO</sub> = Output-side V<sub>CC</sub>; PU = Powered up (V<sub>CC</sub> ≥ 3 V); PD = Powered down (V<sub>CC</sub> ≤ 2.1 V); X = Irrelevant; H = High level; L = Low level; Open = Not connected
- (2) In fail-safe condition, output defaults to high level
- (3) In fail-safe condition, output defaults to low level

**8.4.1 Device I/O Schematics**



**Figure 17. Device I/O Schematics**

## 9 Applications and Implementation

### NOTE

Information in the following applications sections is not part of the TI component specification, and TI does not warrant its accuracy or completeness. TI's customers are responsible for determining suitability of components for their purposes. Customers should validate and test their design implementation to confirm system functionality.

### 9.1 Application Information

ISO733x utilize single-ended TTL-logic switching technology. Its supply voltage range is from 3 V to 5.5 V for both supplies,  $V_{CC1}$  and  $V_{CC2}$ . When designing with digital isolators, it is important to keep in mind that due to the single-ended design structure, digital isolators do not conform to any specific interface standard and are only intended for isolating single-ended CMOS or TTL digital signal lines. The isolator is typically placed between the data controller (that is,  $\mu\text{C}$  or UART), and a data converter or a line transceiver, regardless of the interface type or standard.

### 9.2 Typical Application

ISO7331C combined with Texas Instruments' mixed signal micro-controller, RS-485 transceiver, transformer driver, and voltage regulator can create an isolated RS-485 system as shown in Figure 18.

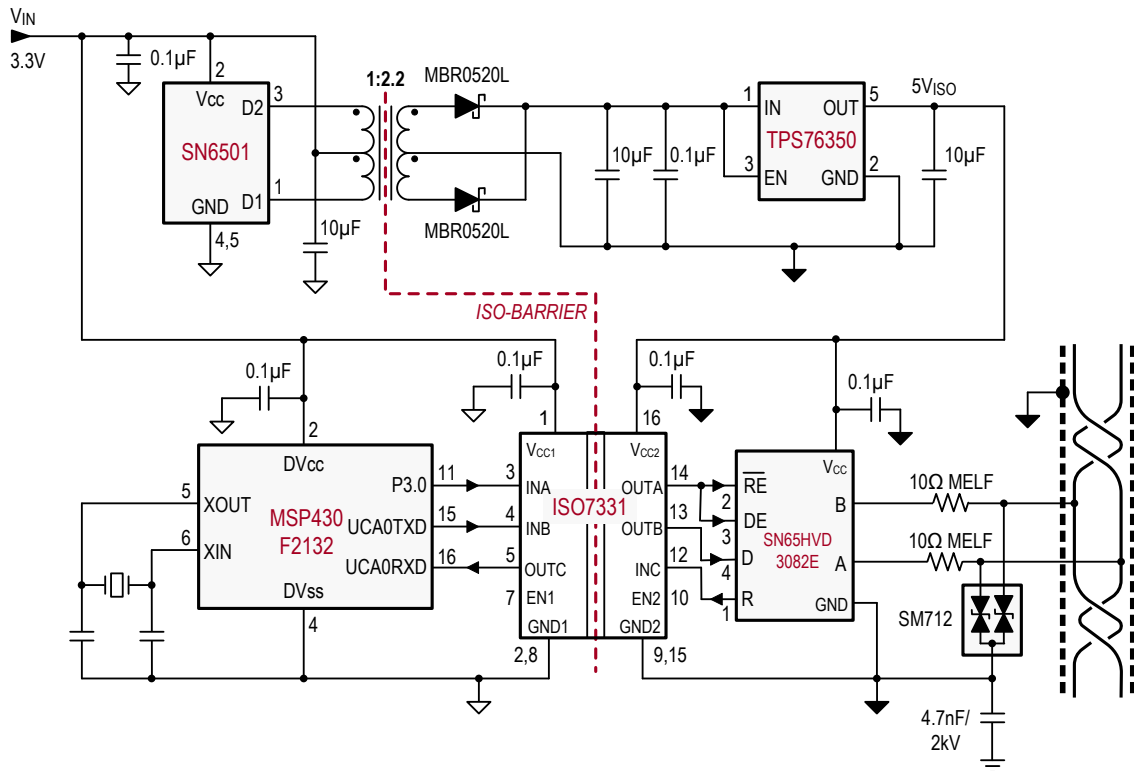


Figure 18. Typical ISO7331 Application Circuit

**ISO7330C, ISO7330FC, ISO7331C, ISO7331FC**

SLLSEK9B – JANUARY 2015 – REVISED APRIL 2015

www.ti.com

**Typical Application (continued)**

**9.2.1 Design Requirements**

**9.2.1.1 Typical Supply Current Equations**

**ISO7330:**

- At  $V_{CC1} = V_{CC2} = 5\text{ V}$
- $I_{CC1} = 0.46544 + (0.006455 \times f)$
  - $I_{CC2} = 2.28021 + (0.08242 \times f) + (0.006237 \times f \times C_L)$

- At  $V_{CC1} = V_{CC2} = 3.3\text{ V}$
- $I_{CC1} = 0.29211 + (0.03588 \times f)$
  - $I_{CC2} = 1.8414 + (0.02886 \times f) + (0.00548 \times f \times C_L)$

**ISO7331:**

- At  $V_{CC1} = V_{CC2} = 5\text{ V}$
- $I_{CC1} = 1.661 + (0.07916 \times f) + (0.00169 \times f \times C_L)$
  - $I_{CC2} = 2.04 + (0.0778 \times f) + (0.00422 \times f \times C_L)$

- At  $V_{CC1} = V_{CC2} = 3.3\text{ V}$
- $I_{CC1} = 1.2402 + (0.03127 \times f) + (0.001954 \times f \times C_L)$
  - $I_{CC2} = 1.53839 + (0.02933 \times f) + (0.0037285 \times f \times C_L)$

$I_{CC1}$  and  $I_{CC2}$  are typical supply currents measured in mA,  $f$  is data rate measured in Mbps,  $C_L$  is the capacitive load measured in pF.

**9.2.2 Detailed Design Procedure**

**9.2.2.1 Electromagnetic Compatibility (EMC) Considerations**

Many applications in harsh industrial environment are sensitive to disturbances such as electrostatic discharge (ESD), electrical fast transient (EFT), surge and electromagnetic emissions. These electromagnetic disturbances are regulated by international standards such as IEC 61000-4-x and CISPR 22. Although system-level performance and reliability depends, to a large extent, on the application board design and layout, the ISO733x incorporate many chip-level design improvements for overall system robustness. Some of these improvements include:

- Robust ESD protection cells for input and output signal pins and inter-chip bond pads.
- Low-resistance connectivity of ESD cells to supply and ground pins.
- Enhanced performance of high voltage isolation capacitor for better tolerance of ESD, EFT and surge events.
- Bigger on-chip decoupling capacitors to bypass undesirable high energy signals through a low impedance path.
- PMOS and NMOS devices isolated from each other by using guard rings to avoid triggering of parasitic SCRs.
- Reduced common mode currents across the isolation barrier by ensuring purely differential internal operation.

**Typical Application (continued)**

**9.2.3 Application Performance Curves**

Typical eye diagrams of ISO733x below indicate low jitter and wide open eye at the maximum data rate of 25 Mbps.

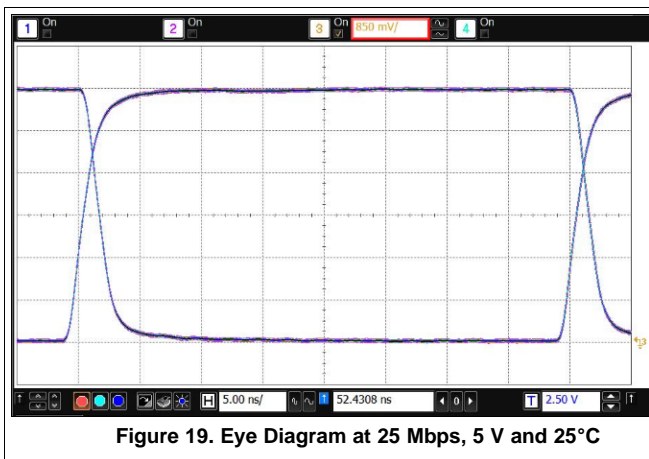


Figure 19. Eye Diagram at 25 Mbps, 5 V and 25°C

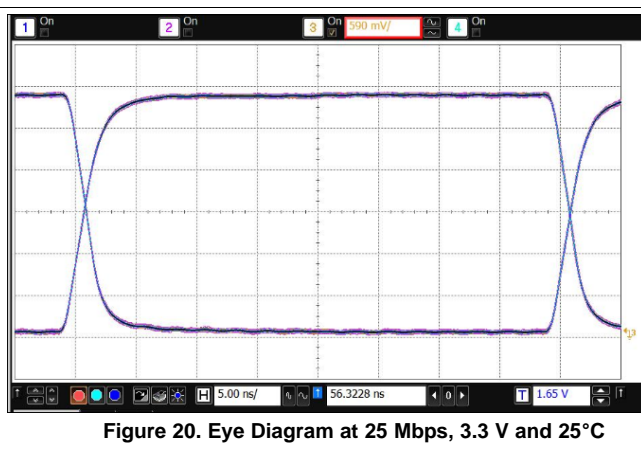


Figure 20. Eye Diagram at 25 Mbps, 3.3 V and 25°C

**9.2.4 Systems Examples**

Unlike Optocouplers, which need external components to improve performance, provide bias, or limit current, ISO733x only needs two external bypass capacitors to operate.

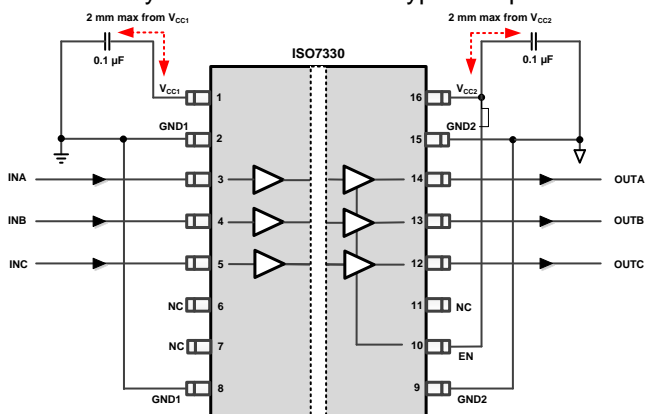


Figure 21. Typical ISO7330 Circuit Hook-up

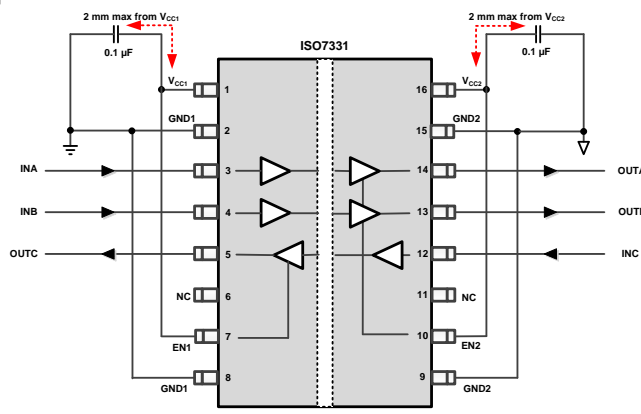


Figure 22. Typical ISO7331 Circuit Hook-up

**10 Power Supply Recommendations**

To ensure reliable operation at all data rates and supply voltages, a 0.1 µF bypass capacitor is recommended at input and output supply pins ( $V_{CC1}$  and  $V_{CC2}$ ). The capacitors should be placed as close to the supply pins as possible. If only a single primary-side power supply is available in an application, isolated power can be generated for the secondary-side with the help of a transformer driver such as Texas Instruments' SN6501. For such applications, detailed power supply design and transformer selection recommendations are available in SN6501 datasheet (SLLSEA0).

**ISO7330C, ISO7330FC, ISO7331C, ISO7331FC**

SLLSEK9B – JANUARY 2015 – REVISED APRIL 2015

www.ti.com

**11 Layout**

**11.1 PCB Material**

For digital circuit boards operating below 150 Mbps, (or rise and fall times higher than 1 ns), and trace lengths of up to 10 inches, use standard FR-4 epoxy-glass as PCB material. FR-4 (Flame Retardant 4) meets the requirements of Underwriters Laboratories UL94-V0, and is preferred over cheaper alternatives due to its lower dielectric losses at high frequencies, less moisture absorption, greater strength and stiffness, and its self-extinguishing flammability-characteristics.

**11.2 Layout Guidelines**

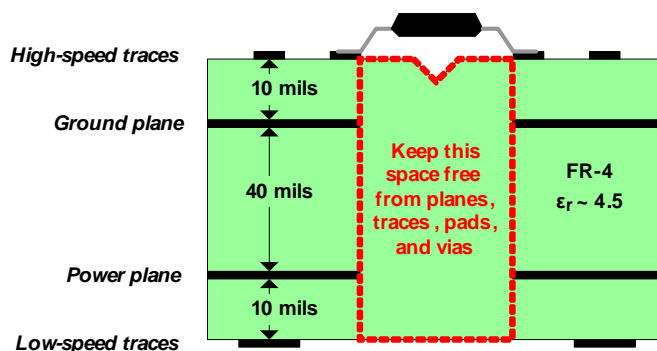
A minimum of four layers is required to accomplish a low EMI PCB design (see Figure 23). Layer stacking should be in the following order (top-to-bottom): high-speed signal layer, ground plane, power plane and low-frequency signal layer.

- Routing the high-speed traces on the top layer avoids the use of vias (and the introduction of their inductances) and allows for clean interconnects between the isolator and the transmitter and receiver circuits of the data link.
- Placing a solid ground plane next to the high-speed signal layer establishes controlled impedance for transmission line interconnects and provides an excellent low-inductance path for the return current flow.
- Placing the power plane next to the ground plane creates additional high-frequency bypass capacitance of approximately 100pF/in<sup>2</sup>.
- Routing the slower speed control signals on the bottom layer allows for greater flexibility as these signal links usually have margin to tolerate discontinuities such as vias.

If an additional supply voltage plane or signal layer is needed, add a second power / ground plane system to the stack to keep it symmetrical. This makes the stack mechanically stable and prevents it from warping. Also the power and ground plane of each power system can be placed closer together, thus increasing the high-frequency bypass capacitance significantly.

For detailed layout recommendations, see Application Note [SLLA284](#), *Digital Isolator Design Guide*.

**11.3 Layout Example**



**Figure 23. Recommended Layer Stack**

## 12 Device and Documentation Support

### 12.1 Related Links

The table below lists quick access links. Categories include technical documents, support and community resources, tools and software, and quick access to sample or buy.

Table 3. Related Links

| PARTS     | PRODUCT FOLDER             | SAMPLE & BUY               | TECHNICAL DOCUMENTS        | TOOLS & SOFTWARE           | SUPPORT & COMMUNITY        |
|-----------|----------------------------|----------------------------|----------------------------|----------------------------|----------------------------|
| ISO7330C  | <a href="#">Click here</a> | <a href="#">Click here</a> | <a href="#">Click here</a> | <a href="#">Click here</a> | <a href="#">Click here</a> |
| ISO7330FC | <a href="#">Click here</a> | <a href="#">Click here</a> | <a href="#">Click here</a> | <a href="#">Click here</a> | <a href="#">Click here</a> |
| ISO7331C  | <a href="#">Click here</a> | <a href="#">Click here</a> | <a href="#">Click here</a> | <a href="#">Click here</a> | <a href="#">Click here</a> |
| ISO7331FC | <a href="#">Click here</a> | <a href="#">Click here</a> | <a href="#">Click here</a> | <a href="#">Click here</a> | <a href="#">Click here</a> |

### 12.2 Trademarks

DeviceNet is a trademark of Texas Instruments.  
 All other trademarks are the property of their respective owners.

### 12.3 Electrostatic Discharge Caution



These devices have limited built-in ESD protection. The leads should be shorted together or the device placed in conductive foam during storage or handling to prevent electrostatic damage to the MOS gates.

### 12.4 Glossary

[SLYZ022](#) — *TI Glossary*.

This glossary lists and explains terms, acronyms, and definitions.

[SLLA353](#), *Isolation Glossary*

## 13 Mechanical, Packaging, and Orderable Information

The following pages include mechanical packaging and orderable information. This information is the most current data available for the designated devices. This data is subject to change without notice and revision of this document. For browser-based versions of this data sheet, refer to the left-hand navigation.

**PACKAGING INFORMATION**

| Orderable Device | Status<br>(1) | Package Type | Package Drawing | Pins | Package Qty | Eco Plan<br>(2)         | Lead/Ball Finish<br>(6) | MSL Peak Temp<br>(3) | Op Temp (°C) | Device Marking<br>(4/5) | Samples                 |
|------------------|---------------|--------------|-----------------|------|-------------|-------------------------|-------------------------|----------------------|--------------|-------------------------|-------------------------|
| ISO7330CDW       | ACTIVE        | SOIC         | DW              | 16   | 40          | Green (RoHS & no Sb/Br) | CU NIPDAU               | Level-2-260C-1 YEAR  | -40 to 125   | ISO7330C                | <a href="#">Samples</a> |
| ISO7330CDWR      | ACTIVE        | SOIC         | DW              | 16   | 2000        | Green (RoHS & no Sb/Br) | CU NIPDAU               | Level-2-260C-1 YEAR  | -40 to 125   | ISO7330C                | <a href="#">Samples</a> |
| ISO7330FCDW      | ACTIVE        | SOIC         | DW              | 16   | 40          | Green (RoHS & no Sb/Br) | CU NIPDAU               | Level-2-260C-1 YEAR  | -40 to 125   | ISO7330FC               | <a href="#">Samples</a> |
| ISO7330FCDWR     | ACTIVE        | SOIC         | DW              | 16   | 2000        | Green (RoHS & no Sb/Br) | CU NIPDAU               | Level-2-260C-1 YEAR  | -40 to 125   | ISO7330FC               | <a href="#">Samples</a> |
| ISO7331CDW       | ACTIVE        | SOIC         | DW              | 16   | 40          | Green (RoHS & no Sb/Br) | CU NIPDAU               | Level-2-260C-1 YEAR  | -40 to 125   | ISO7331C                | <a href="#">Samples</a> |
| ISO7331CDWR      | ACTIVE        | SOIC         | DW              | 16   | 2000        | Green (RoHS & no Sb/Br) | CU NIPDAU               | Level-2-260C-1 YEAR  | -40 to 125   | ISO7331C                | <a href="#">Samples</a> |
| ISO7331FCDW      | ACTIVE        | SOIC         | DW              | 16   | 40          | Green (RoHS & no Sb/Br) | CU NIPDAU               | Level-2-260C-1 YEAR  | -40 to 125   | ISO7331FC               | <a href="#">Samples</a> |
| ISO7331FCDWR     | ACTIVE        | SOIC         | DW              | 16   | 2000        | Green (RoHS & no Sb/Br) | CU NIPDAU               | Level-2-260C-1 YEAR  | -40 to 125   | ISO7331FC               | <a href="#">Samples</a> |

(1) The marketing status values are defined as follows:

**ACTIVE:** Product device recommended for new designs.

**LIFEBUY:** TI has announced that the device will be discontinued, and a lifetime-buy period is in effect.

**NRND:** Not recommended for new designs. Device is in production to support existing customers, but TI does not recommend using this part in a new design.

**PREVIEW:** Device has been announced but is not in production. Samples may or may not be available.

**OBsolete:** TI has discontinued the production of the device.

(2) Eco Plan - The planned eco-friendly classification: Pb-Free (RoHS), Pb-Free (RoHS Exempt), or Green (RoHS & no Sb/Br) - please check <http://www.ti.com/productcontent> for the latest availability information and additional product content details.

**TBD:** The Pb-Free/Green conversion plan has not been defined.

**Pb-Free (RoHS):** TI's terms "Lead-Free" or "Pb-Free" mean semiconductor products that are compatible with the current RoHS requirements for all 6 substances, including the requirement that lead not exceed 0.1% by weight in homogeneous materials. Where designed to be soldered at high temperatures, TI Pb-Free products are suitable for use in specified lead-free processes.

**Pb-Free (RoHS Exempt):** This component has a RoHS exemption for either 1) lead-based flip-chip solder bumps used between the die and package, or 2) lead-based die adhesive used between the die and leadframe. The component is otherwise considered Pb-Free (RoHS compatible) as defined above.

**Green (RoHS & no Sb/Br):** TI defines "Green" to mean Pb-Free (RoHS compatible), and free of Bromine (Br) and Antimony (Sb) based flame retardants (Br or Sb do not exceed 0.1% by weight in homogeneous material)

(3) MSL, Peak Temp. - The Moisture Sensitivity Level rating according to the JEDEC industry standard classifications, and peak solder temperature.



<sup>(4)</sup> There may be additional marking, which relates to the logo, the lot trace code information, or the environmental category on the device.

<sup>(5)</sup> Multiple Device Markings will be inside parentheses. Only one Device Marking contained in parentheses and separated by a "-" will appear on a device. If a line is indented then it is a continuation of the previous line and the two combined represent the entire Device Marking for that device.

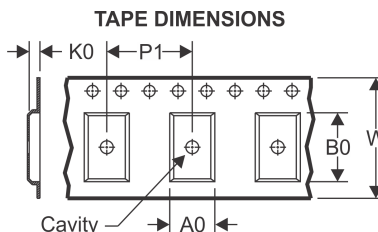
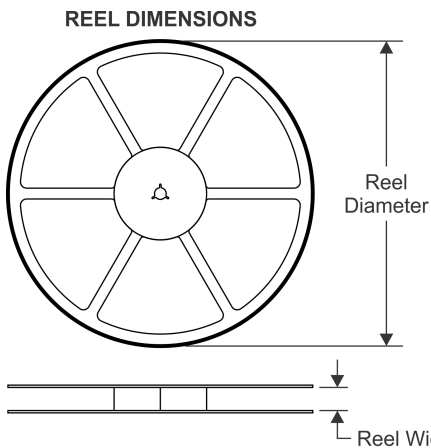
<sup>(6)</sup> Lead/Ball Finish - Orderable Devices may have multiple material finish options. Finish options are separated by a vertical ruled line. Lead/Ball Finish values may wrap to two lines if the finish value exceeds the maximum column width.

**Important Information and Disclaimer:** The information provided on this page represents TI's knowledge and belief as of the date that it is provided. TI bases its knowledge and belief on information provided by third parties, and makes no representation or warranty as to the accuracy of such information. Efforts are underway to better integrate information from third parties. TI has taken and continues to take reasonable steps to provide representative and accurate information but may not have conducted destructive testing or chemical analysis on incoming materials and chemicals. TI and TI suppliers consider certain information to be proprietary, and thus CAS numbers and other limited information may not be available for release.

In no event shall TI's liability arising out of such information exceed the total purchase price of the TI part(s) at issue in this document sold by TI to Customer on an annual basis.

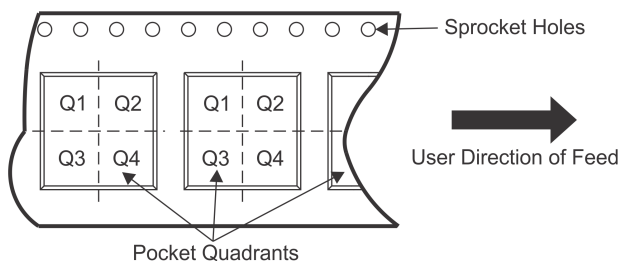


**TAPE AND REEL INFORMATION**



|    |   |
|----|---|
| A0 | Dimension designed to accommodate the component width     |
| B0 | Dimension designed to accommodate the component length    |
| K0 | Dimension designed to accommodate the component thickness |
| W  | Overall width of the carrier tape                         |
| P1 | Pitch between successive cavity centers                   |

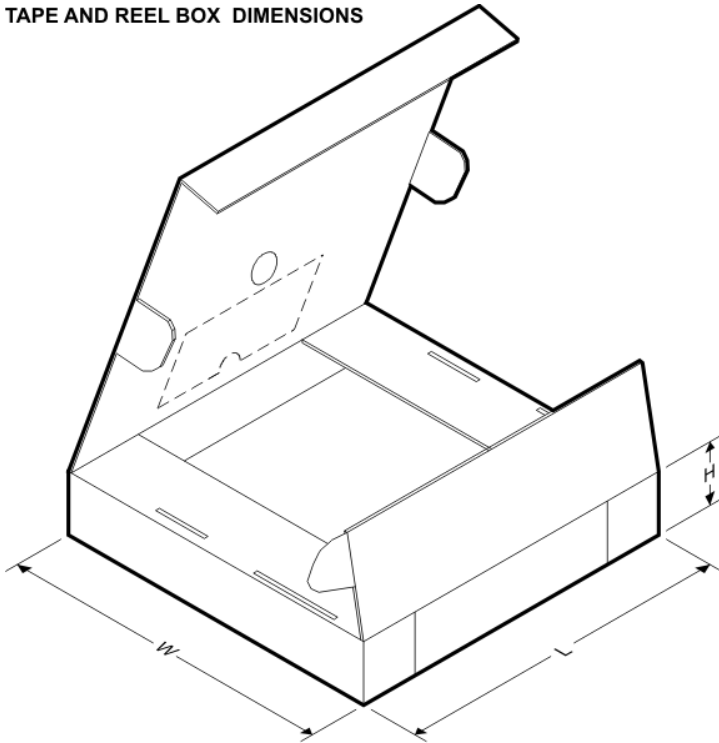
**QUADRANT ASSIGNMENTS FOR PIN 1 ORIENTATION IN TAPE**



\*All dimensions are nominal

| Device       | Package Type | Package Drawing | Pins | SPQ  | Reel Diameter (mm) | Reel Width W1 (mm) | A0 (mm) | B0 (mm) | K0 (mm) | P1 (mm) | W (mm) | Pin1 Quadrant |
|--------------|--------------|-----------------|------|------|--------------------|--------------------|---------|---------|---------|---------|--------|---------------|
| ISO7330CDWR  | SOIC         | DW              | 16   | 2000 | 330.0              | 16.4               | 10.75   | 10.7    | 2.7     | 12.0    | 16.0   | Q1            |
| ISO7330FCDWR | SOIC         | DW              | 16   | 2000 | 330.0              | 16.4               | 10.75   | 10.7    | 2.7     | 12.0    | 16.0   | Q1            |
| ISO7331CDWR  | SOIC         | DW              | 16   | 2000 | 330.0              | 16.4               | 10.75   | 10.7    | 2.7     | 12.0    | 16.0   | Q1            |
| ISO7331FCDWR | SOIC         | DW              | 16   | 2000 | 330.0              | 16.4               | 10.75   | 10.7    | 2.7     | 12.0    | 16.0   | Q1            |

**TAPE AND REEL BOX DIMENSIONS**



\*All dimensions are nominal

| Device       | Package Type | Package Drawing | Pins | SPQ  | Length (mm) | Width (mm) | Height (mm) |
|--------------|--------------|-----------------|------|------|-------------|------------|-------------|
| ISO7330CDWR  | SOIC         | DW              | 16   | 2000 | 367.0       | 367.0      | 38.0        |
| ISO7330FCDWR | SOIC         | DW              | 16   | 2000 | 367.0       | 367.0      | 38.0        |
| ISO7331CDWR  | SOIC         | DW              | 16   | 2000 | 367.0       | 367.0      | 38.0        |
| ISO7331FCDWR | SOIC         | DW              | 16   | 2000 | 367.0       | 367.0      | 38.0        |

## IMPORTANT NOTICE

Texas Instruments Incorporated and its subsidiaries (TI) reserve the right to make corrections, enhancements, improvements and other changes to its semiconductor products and services per JESD46, latest issue, and to discontinue any product or service per JESD48, latest issue. Buyers should obtain the latest relevant information before placing orders and should verify that such information is current and complete. All semiconductor products (also referred to herein as “components”) are sold subject to TI’s terms and conditions of sale supplied at the time of order acknowledgment.

TI warrants performance of its components to the specifications applicable at the time of sale, in accordance with the warranty in TI’s terms and conditions of sale of semiconductor products. Testing and other quality control techniques are used to the extent TI deems necessary to support this warranty. Except where mandated by applicable law, testing of all parameters of each component is not necessarily performed.

TI assumes no liability for applications assistance or the design of Buyers’ products. Buyers are responsible for their products and applications using TI components. To minimize the risks associated with Buyers’ products and applications, Buyers should provide adequate design and operating safeguards.

TI does not warrant or represent that any license, either express or implied, is granted under any patent right, copyright, mask work right, or other intellectual property right relating to any combination, machine, or process in which TI components or services are used. Information published by TI regarding third-party products or services does not constitute a license to use such products or services or a warranty or endorsement thereof. Use of such information may require a license from a third party under the patents or other intellectual property of the third party, or a license from TI under the patents or other intellectual property of TI.

Reproduction of significant portions of TI information in TI data books or data sheets is permissible only if reproduction is without alteration and is accompanied by all associated warranties, conditions, limitations, and notices. TI is not responsible or liable for such altered documentation. Information of third parties may be subject to additional restrictions.

Resale of TI components or services with statements different from or beyond the parameters stated by TI for that component or service voids all express and any implied warranties for the associated TI component or service and is an unfair and deceptive business practice. TI is not responsible or liable for any such statements.

Buyer acknowledges and agrees that it is solely responsible for compliance with all legal, regulatory and safety-related requirements concerning its products, and any use of TI components in its applications, notwithstanding any applications-related information or support that may be provided by TI. Buyer represents and agrees that it has all the necessary expertise to create and implement safeguards which anticipate dangerous consequences of failures, monitor failures and their consequences, lessen the likelihood of failures that might cause harm and take appropriate remedial actions. Buyer will fully indemnify TI and its representatives against any damages arising out of the use of any TI components in safety-critical applications.

In some cases, TI components may be promoted specifically to facilitate safety-related applications. With such components, TI’s goal is to help enable customers to design and create their own end-product solutions that meet applicable functional safety standards and requirements. Nonetheless, such components are subject to these terms.

No TI components are authorized for use in FDA Class III (or similar life-critical medical equipment) unless authorized officers of the parties have executed a special agreement specifically governing such use.

Only those TI components which TI has specifically designated as military grade or “enhanced plastic” are designed and intended for use in military/aerospace applications or environments. Buyer acknowledges and agrees that any military or aerospace use of TI components which have **not** been so designated is solely at the Buyer’s risk, and that Buyer is solely responsible for compliance with all legal and regulatory requirements in connection with such use.

TI has specifically designated certain components as meeting ISO/TS16949 requirements, mainly for automotive use. In any case of use of non-designated products, TI will not be responsible for any failure to meet ISO/TS16949.

### Products

|                              |  |
|------------------------------|--|
| Audio                        | <a href="http://www.ti.com/audio">www.ti.com/audio</a>                               |
| Amplifiers                   | <a href="http://amplifier.ti.com">amplifier.ti.com</a>                               |
| Data Converters              | <a href="http://dataconverter.ti.com">dataconverter.ti.com</a>                       |
| DLP® Products                | <a href="http://www.dlp.com">www.dlp.com</a>   |
| DSP                          | <a href="http://dsp.ti.com">dsp.ti.com</a>   |
| Clocks and Timers            | <a href="http://www.ti.com/clocks">www.ti.com/clocks</a>                             |
| Interface                    | <a href="http://interface.ti.com">interface.ti.com</a>                               |
| Logic                        | <a href="http://logic.ti.com">logic.ti.com</a>                                       |
| Power Mgmt                   | <a href="http://power.ti.com">power.ti.com</a>                                       |
| Microcontrollers             | <a href="http://microcontroller.ti.com">microcontroller.ti.com</a>                   |
| RFID                         | <a href="http://www.ti-rfid.com">www.ti-rfid.com</a>                                 |
| OMAP Applications Processors | <a href="http://www.ti.com/omap">www.ti.com/omap</a>                                 |
| Wireless Connectivity        | <a href="http://www.ti.com/wirelessconnectivity">www.ti.com/wirelessconnectivity</a> |

### Applications

|                               |  |
|-------------------------------|--|
| Automotive and Transportation | <a href="http://www.ti.com/automotive">www.ti.com/automotive</a>                         |
| Communications and Telecom    | <a href="http://www.ti.com/communications">www.ti.com/communications</a>                 |
| Computers and Peripherals     | <a href="http://www.ti.com/computers">www.ti.com/computers</a>                           |
| Consumer Electronics          | <a href="http://www.ti.com/consumer-apps">www.ti.com/consumer-apps</a>                   |
| Energy and Lighting           | <a href="http://www.ti.com/energy">www.ti.com/energy</a>                                 |
| Industrial                    | <a href="http://www.ti.com/industrial">www.ti.com/industrial</a>                         |
| Medical                       | <a href="http://www.ti.com/medical">www.ti.com/medical</a>                               |
| Security                      | <a href="http://www.ti.com/security">www.ti.com/security</a>                             |
| Space, Avionics and Defense   | <a href="http://www.ti.com/space-avionics-defense">www.ti.com/space-avionics-defense</a> |
| Video and Imaging             | <a href="http://www.ti.com/video">www.ti.com/video</a>                                   |

### TI E2E Community

[e2e.ti.com](http://e2e.ti.com)