

Excellent Integrated System Limited

Stocking Distributor

Click to view price, real time Inventory, Delivery & Lifecycle Information:

[Molex Connector Corporation](#)
[5050710101](#)

For any questions, you can email us directly:

sales@integrated-circuit.com

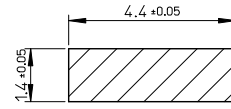
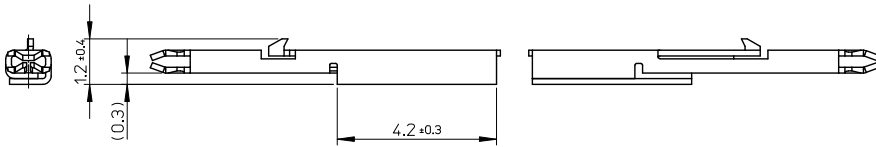
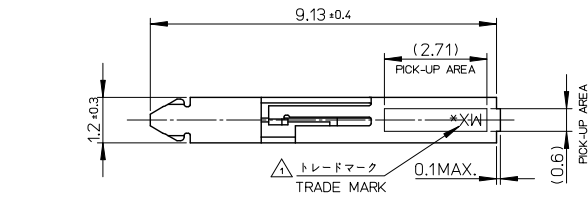
NOTES:

△トレードマーク: MXプラス1文字の製造工場を示すアルファベットにて表示。
但し、"J"はJAPANを示す。(例 MXJ)
FORMED BY MX AND 1 MORE LETTER OF ALPHABET
WHICH MEAN THE MANUFACTORY.
BUT "J" MEANS JAPAN. (TO TRADE MARK)(e.g. MXJ)

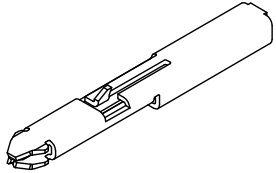
2. 嵌合相手: 5050720100, 5050730100
MATE WITH: 5050720100, 5050730100

3. ELVおよびRoHS適合品
ELV AND RoHS COMPLIANT.

△ご使用される最大許容電圧に合わせ、電気用品安全法(IEC/EN規格)などに則った浴面距離を確保してください。
PLEASE SECURE THE CREEPAGE DISTANCE FOR INSULATION THAT FOLLOWS
THE IEC/EN STANDARD, etc. ACCORDING TO THE MAXIMUM RATED VOLTAGE USED.
参考値: (EN61984参照時) REFERENCE: (REFER TO EN61984)
定格電圧: 125V ; 汚染度3 ; 材料グループIIIcの場合 RATED VOLTAGE: 125V ;
A=2.4MIN. POLLUTION DEGREE 3 ; material group IIIc
A=2.4MIN.



基板参考パターン
P.W.B. PATTERN DIMENSION (REFERENCE)



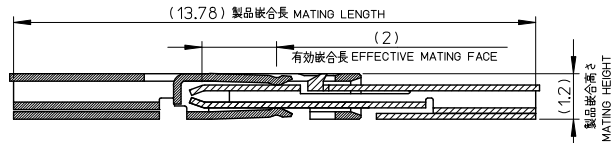
5050710101	505071
EMBOSSED TAPE PACKAGE	
オーダー番号 ORDER No.	CONNECTOR SERIES No.
DESIGN UNITS METRIC	THIRD ANGLE PROJECTION

部品 PART	材質 MATERIAL ②
ターミナル TERMINAL	銅合金 PRE-TINNED COPPER ALLOY 錫メッキ TIN ニッケルメッキ(下地) NICKEL UNDER PLATING

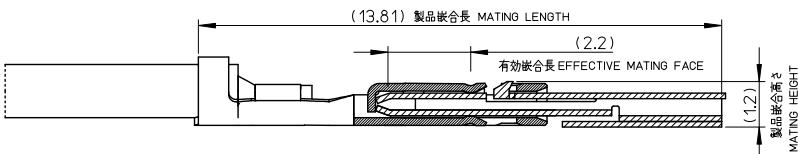
REVISED EC NO: J2015-0616 DRAWN: HTONEGAWA CHKD: INITSU APPR: MYAGI	DESCRIPTION	GENERAL TOLERANCES (UNLESS SPECIFIED)	DIMENSION STYLE	SCALE	TITLE
	REV A	10 UNDER ±0.2 10 OVER 30 UNDER ±0.25 30 OVER ±0.3	MM ONLY	10:1	1CKT. LED CONN. PLUG H=1.2
		ANGULAR ±1 ° DRAFT WHERE APPLICABLE MUST REMAIN WITHIN DIMENSIONS	DRAWN BY DATE HTONEGAWA 2013/11/28 CHECKED BY DATE INITSU 2013/11/28 APPROVED BY DATE MYAGI 2014/01/09		
			SEE CHART	DOCUMENT NO.	SD-505071-001
		SIZE A3		THIS DRAWING CONTAINS INFORMATION THAT IS PROPRIETARY TO MOLEX INCORPORATED AND SHOULD NOT BE USED WITHOUT WRITTEN PERMISSION	

10 9 8 7 6 5 4 3 2 1

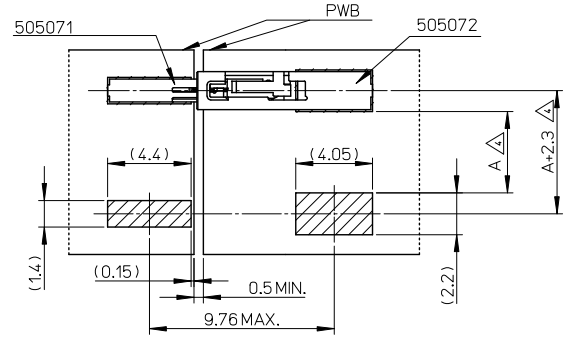
嵌合断面図 MATING CROSS SECTION



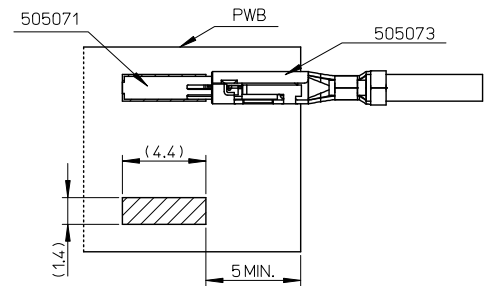
基板対基板: BOARD to BOARD TYPE (505072/505071) ②



電線対基板: WIRE to BOARD TYPE (505073/505071) ②



参考) 基板パターン位置 (基板対基板: BB TYPE)
REFERENCE) P.W.B. PATTERN POSITION (BOARD to BOARD TYPE) ②



参考) 基板パターン位置 (電線対基板: WB TYPE)
REFERENCE) P.W.B. PATTERN POSITION (WIRE to BOARD TYPE) ②

SEE SHEET1 EC NO. J2015-0616 DRAWN:HTONEGAWA 2014/11/06 CHKD:TNITSU 2014/11/06 APPR:MYAGI 2014/11/07 REV A	DESCRIPTION QUALITY SYMBOLS □ = 0 CRITICAL ⊠ = 0 MAJOR ▽ = 0 ZERO DEFECT ▽ = 0 S.P.C.	GENERAL TOLERANCES (UNLESS SPECIFIED)	DIMENSION STYLE MM ONLY	SCALE 4:1	DESIGN UNITS METRIC	THIRD ANGLE PROJECTION	
		DIMENSIONS ± 0.1	DRAWN BY HTONEGAWA	DATE 2013/11/28	TITLE 1CKT. LED CONN. PLUG H=1.2		
		ANGULAR ± 1 °	CHECKED BY TNITSU	DATE 2013/11/28	molex DOCUMENT NO. SD-505071-001 SHEET NO. 2 OF 2		
		DRAFT WHERE APPLICABLE MUST REMAIN WITHIN DIMENSIONS	APPROVED BY MYAGI	DATE 2014/01/09			
		MATERIAL NO. SEE SHEET1		THIS DRAWING CONTAINS INFORMATION THAT IS PROPRIETARY TO MOLEX INCORPORATED AND SHOULD NOT BE USED WITHOUT WRITTEN PERMISSION			

9 8 7 6 5 4 3 2

10 9 8 7 6 5 4 3 2 1

F

E

D

C

B

A

F

E

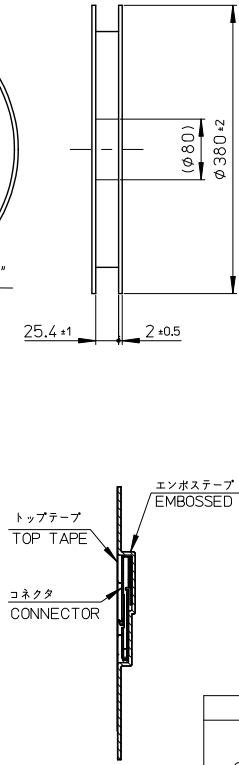
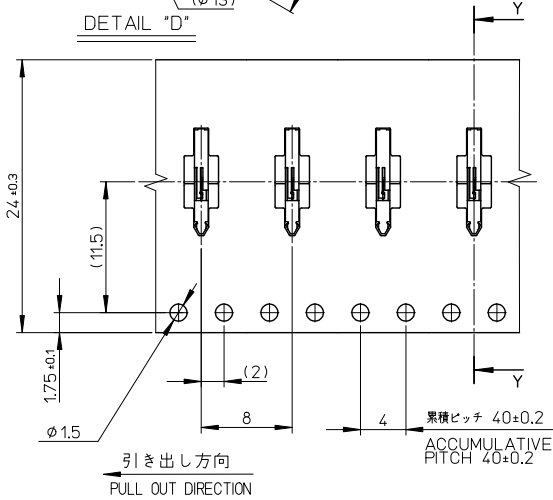
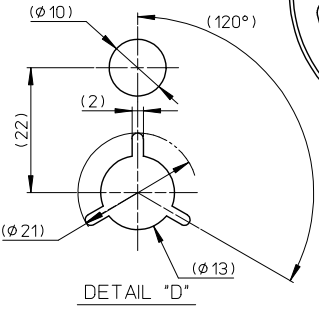
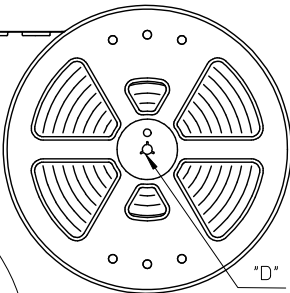
D

C

B

A

引き出し方向
PULL OUT DIRECTION



NOTES

- 製品詳細寸法については、SD図面を参照下さい。
THE DETAIL DIMENSION REFER TO SALES DRAWING.
- 梱包数量：7500 個/リール
NUMBER OF CONNECTORS：7500 PCS/REEL.
- リードテープ長さ LEAD TAPE LENGTH.
トップテープ接着部(空エンボス)
TOP TAPE BONDED PART.(EMPTY)
引き出し方向 PULL OUT DIRECTION
20PCS. MIN.
トップテープリーダ部 TOP TAPE LEADER PART 400 MIN.
部品挿入部 COMPONENT SUPPLIER
末端部(空部) TAIL PART (EMPTY) 350 MIN.
- トップテープの剥離強度：0.1N~1.3N(10.2gf~130gf) (剥離方向は下図参照)
尚、本規格値は出荷時に適用。(但し、輸送時に剥離が発生しないこと。)
PEEL FORCE OF TOP TAPE：0.1N~1.3N(10.2gf~130gf)
(PEEL DIRECTION AS SHOWN IN FOLLOWING FIG.)
THIS REQUIREMENT SHOULD BE APPLIED AT SHIPMENT.
PEEL OFF SHOULD NOT BE ALLOWED, DURING TRANSPORTATION.
剥離方向 PEEL OFF DIRECTION
10°
引き出し方向 PULL OUT DIRECTION
- 材料 MATERIAL
キャリアテープ (CARRIER TAPE)：ポリプロピレン (POLYPROPYLENE)
トップテープ (TOP TAPE)：PET, PE, PEF
リール (REEL)：ポリスチレン (PS) <リサイクル材含む>
POLYSTYRENE (PS) <RECYCLE MATERIAL CONTAINED>
- ELV 及びRoHS適合品
ELV AND RoHS COMPLIANT

SECTION Y-Y

24 mm	505071-0100	505071-0101	1
エンボステープ幅 CARRIER TAPE WIDTH	装着コネクタ CONNECTOR	EMBOSSSED TAPE PACKAGE オーダー番号 ORDER NO.	極数 CKT.
		CONECTOR SERIES No.	505071-0***
GENERAL TOLERANCES (UNLESS SPECIFIED)	DIMENSION STYLE MM ONLY	SCALE -----	DESIGN UNITS METRIC
10 UNDER ±0.2	DRAWN BY HTONEGAWA	DATE 2013/11/29	TITLE 1CKT. LED CONN. PLUG H=1.2 EMBOSSSED TAPE PACKAGE
10 OVER 30 UNDER ±0.25	CHECKED BY TNIITSU	DATE 2013/11/29	molex
30 OVER ±0.3	APPROVED BY MYAGI	DATE 2014/01/09	
ANGULAR ±1 °	MATERIAL NO.	DOCUMENT NO.	SHEET NO.
DRAFT WHERE APPLICABLE MUST REMAIN WITHIN DIMENSIONS	SEE CHART	SD-505071-002	1 OF 1
THIS DRAWING CONTAINS INFORMATION THAT IS PROPRIETARY TO MOLEX INCORPORATED AND SHOULD NOT BE USED WITHOUT WRITTEN PERMISSION			

9 8 7 6 5 4 3 2 1