

Excellent Integrated System Limited

Stocking Distributor

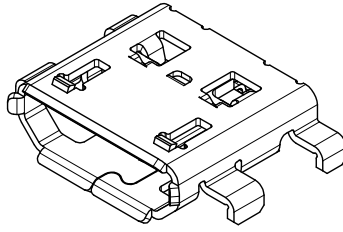
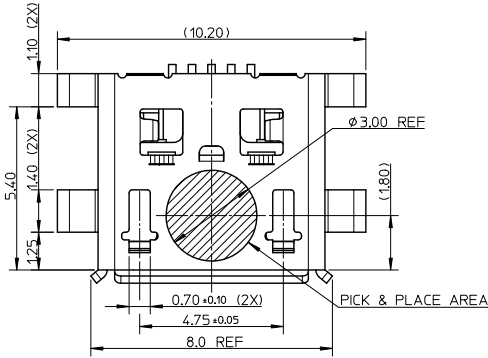
Click to view price, real time Inventory, Delivery & Lifecycle Information:

[Molex Connector Corporation](#)
[1052481001](#)

For any questions, you can email us directly:

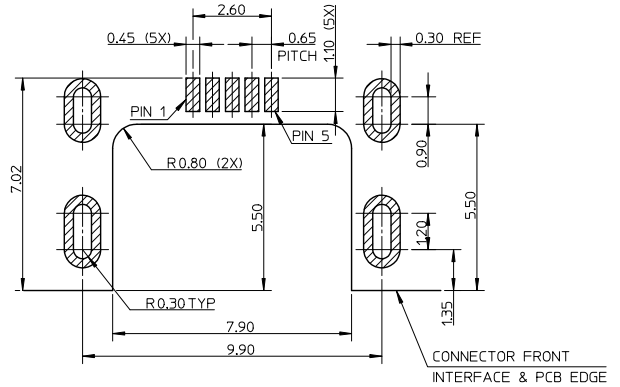
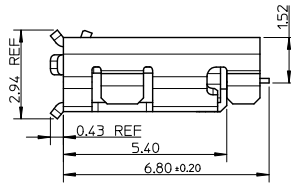
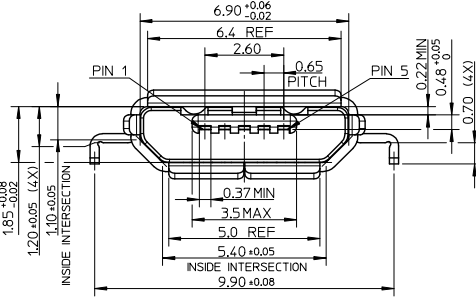
sales@integrated-circuit.com

10 9 8 7 6 5 4 3 2 1

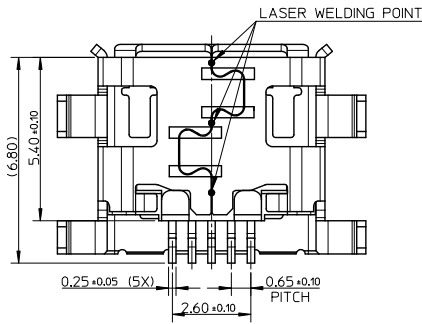


NOTES:

- MATERIAL:**
HOUSING: LCP, BLACK, UL94V-0;
TERMINAL: COPPER ALLOY, THICKNESS: 0.15mm;
SHELL: STAINLESS STEEL, THICKNESS: 0.30mm.
- PLATING:**
TERMINAL:
CONTACT AREA: GOLD FLASH OVER 0.75 MICRON MINIMUM Pd/Ni;
SOLDER TAIL AREA: GOLD FLASH;
UNDER PLATING: NICKEL 2.0 MICRON MINIMUM.
SHELL:
MATTE TIN 2.0 MICRON MINIMUM;
UNDER PLATING: NICKEL 1.27 MICRON MINIMUM.
- TAIL & NAIL COPLANARITY 0.08mm MAXIMUM.**
- PRODUCT SPECIFICATION: PS-47642-001.**
- PACKAGING SPECIFICATION: PK-47642-001.**
- PRODUCT COMPLIANT TO RoHS DIRECTIVE 2002/95/EC AND ELV DIRECTIVE 2000/53/EC.**



RECOMMENDED P.C.B. PATTERN LAYOUT
GENERAL TOLERANCE: ±0.05



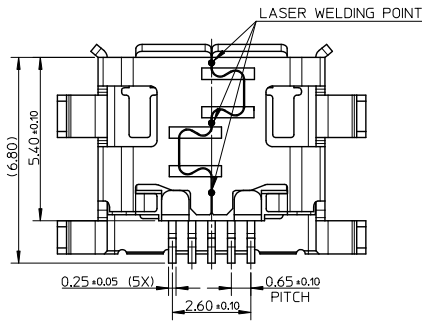
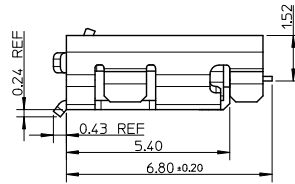
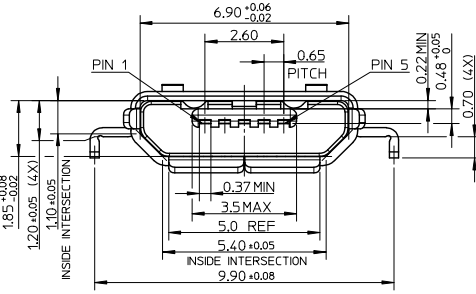
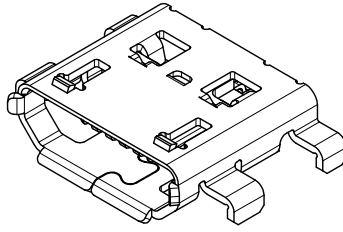
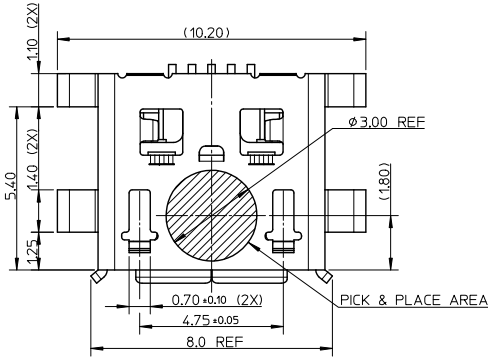
ADD PART NUMBER EC NO: SH2013-0723 DRWNS: XQZHANG 2012/10/22 CHKCD: XQZHANG 2012/10/22 APPR: AYIN 2012/10/26	QUALITY SYMBOLS √=0 ∇=0 ∇=0	GENERAL TOLERANCES (UNLESS SPECIFIED)		DIMENSION STYLE MM ONLY		SCALE 1:1	DESIGN UNITS METRIC	THIRD ANGLE PROJECTION	
		4 PLACES ± --- ± ---	mm INCH	DRAWN BY XQZHANG	DATE 2012/06/21	TITLE SALES DRAWING FOR USB MICRO-B, MID MOUNT			
		3 PLACES ± --- ± ---		CHECKED BY XQZHANG	DATE 2012/06/21	MATERIAL NO. 105248-0001			
		2 PLACES ± 0.20 ± ---		APPROVED BY AYIN	DATE 2012/10/11	DOCUMENT NO. SD-105248-001	SHEET NO. 1 OF 3		
DRAFT WHERE APPLICABLE WITHIN DIMENSIONS		ANGULAR ± 3°		THIS DRAWING CONTAINS INFORMATION THAT IS PROPRIETARY TO MOLEX INCORPORATED AND SHOULD NOT BE USED WITHOUT WRITTEN PERMISSION					

9 8 7 6 5 4 3 2 1

10 9 8 7 6 5 4 3 2 1

F
E
D
C
B
A

F
E
D
C
B
A



SEE SHEET 1 EC NO. SH2013-0123 DRAWN: XQZHANG 2012/10/22 CHKD: XQZHANG 2012/10/22 APPR: ATIN 2012/10/26	QUALITY SYMBOLS √=0 √=0 √=0	GENERAL TOLERANCES (UNLESS SPECIFIED)		DIMENSION STYLE MM ONLY		SCALE 1:1	DESIGN UNITS METRIC	THIRD ANGLE PROJECTION	
		4 PLACES ± --- ± ---	3 PLACES ± --- ± ---	2 PLACES ± 0.20 ± ---	1 PLACE ± 0.25 ± ---	0 PLACE ± --- ± ---	ANGULAR ± 3 °	DRAFT WHERE APPLICABLE WITHIN DIMENSIONS	MATERIAL NO. 105248-1101
TITLES			DRAWN BY XQZHANG			DATE 2012/06/21			
TITLES			CHECKED BY XQZHANG			DATE 2012/06/21			
TITLES			APPROVED BY AYIN			DATE 2012/10/11			
molex									
THIS DRAWING CONTAINS INFORMATION THAT IS PROPRIETARY TO MOLEX INCORPORATED AND SHOULD NOT BE USED WITHOUT WRITTEN PERMISSION									

9 8 7 6 5 4 3 2 1

10 9 8 7 6 5 4 3 2 1

F

E

D

C

B

A

F

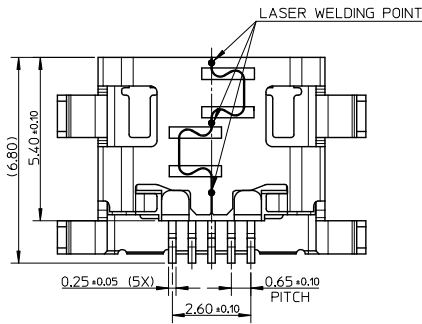
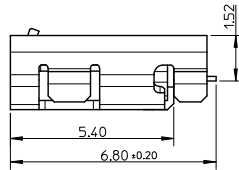
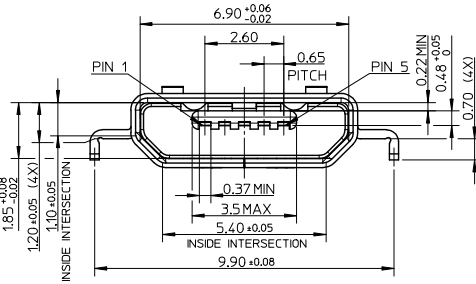
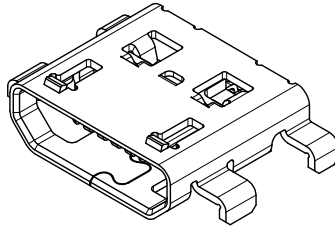
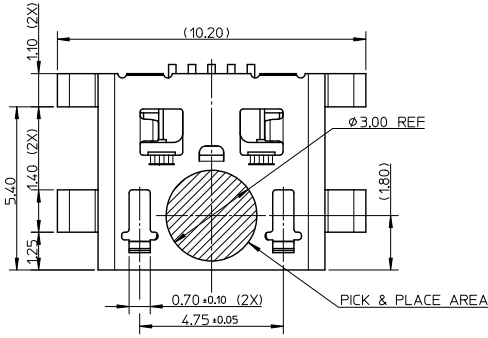
E

D

C

B

A



SEE SHEET 1 EC NO. SH2013-0723 DRAWN: XQZHANG 2012/10/22 CHKD: XQZHANG 2012/10/22 APPR: AYIN 2012/10/26	QUALITY SYMBOLS √=0 √=0 √=0	GENERAL TOLERANCES (UNLESS SPECIFIED)		DIMENSION STYLE MM ONLY		SCALE 1:1	DESIGN UNITS METRIC	THIRD ANGLE PROJECTION
		mm	INCH	DRAWN BY XQZHANG	DATE 2012/06/21	TITLE SALES DRAWING FOR USB MICRO-B, MID MOUNT FLANGELESS TYPE		
B	DESCRIPTION REV	4 PLACES	± ---	± ---	CHECKED BY XQZHANG	DATE 2012/06/21	DOCUMENT NO. SD-105248-001	SHEET NO. 3 OF 3
		3 PLACES	± ---	± ---	APPROVED BY AYIN	DATE 2012/10/11		
		ANGULAR ± 3 °		MATERIAL NO. 105248-1001				
		DRAFT WHERE APPLICABLE WITHIN DIMENSIONS		SIZE A3		THIS DRAWING CONTAINS INFORMATION THAT IS PROPRIETARY TO MOLEX INCORPORATED AND SHOULD NOT BE USED WITHOUT WRITTEN PERMISSION		

9 8 7 6 5 4 3 2 1