



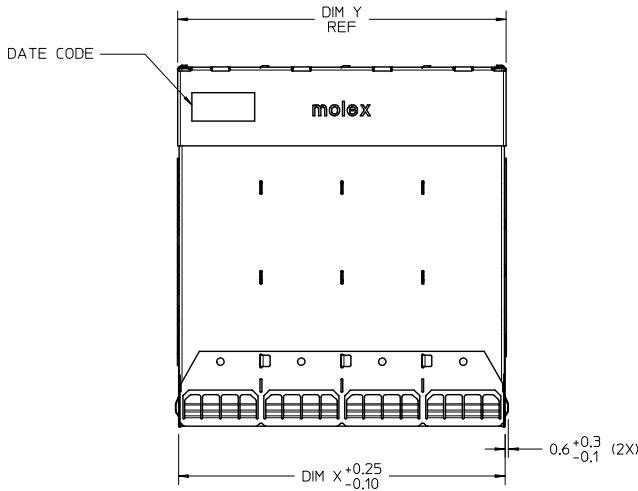
## **Excellent Integrated System Limited**

Stocking Distributor

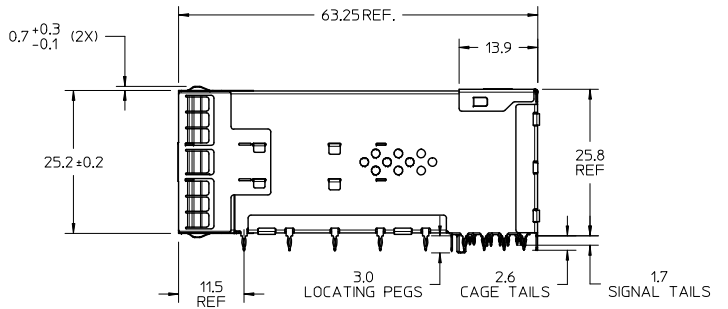
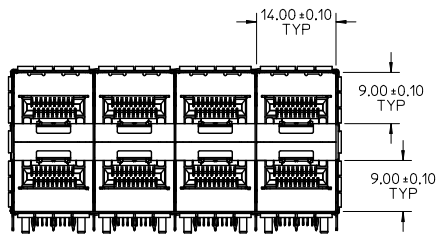
Click to view price, real time Inventory, Delivery & Lifecycle Information:

[Molex Connector Corporation](#)  
[1712244001](#)

For any questions, you can email us directly:  
[sales@integrated-circuit.com](mailto:sales@integrated-circuit.com)



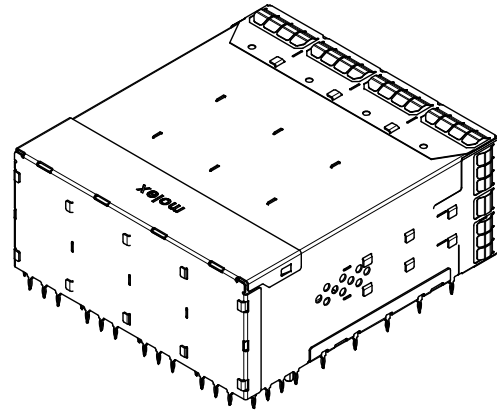
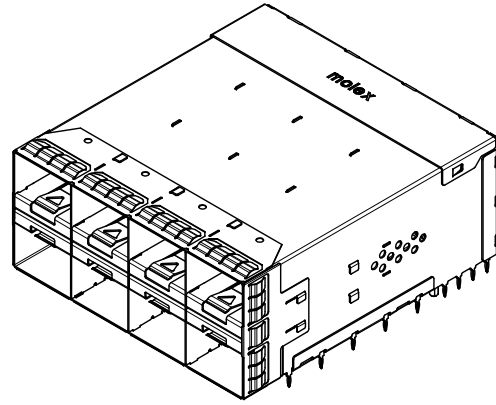
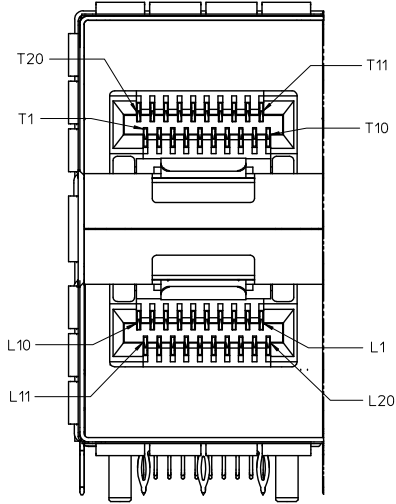
- NOTES:
- MATERIAL:
    - CAGE: NICKEL SILVER
    - CONNECTOR HOUSING: GLASS FILLED THERMOPLASTIC, UL: 94V-0, COLOR: BLACK
    - TERMINALS: HIGH PERFORMANCE COPPER ALLOY
    - FRONT SHIELD WALL: COPPER ALLOY
  - FINISH
    - TERMINALS: CONTACT AREA: 0.76 μm MIN. HARD GOLD OVER  
3.8 μm MIN. NICKEL.
    - COMPLIANT TAIL: 0.7-1.5 μm MATTE TIN OVER:  
0.7-1.5 μm NICKEL
    - FRONT SHIELD WALL: 0.7-1.5 μm NICKEL OVERALL
  - 2X4 CONFIGURATION SHOWN FOR REFERENCE, SEE CHART FOR AVAILABLE OPTIONS
  - REFER TO PS-170071-0001 FOR ALL ELECTRICAL, MECHANICAL AND ENVIRONMENTAL SPECIFICATIONS.
  - REFER TO AS-170071-0001 FOR CONNECTOR MOUNTING AND REWORK INFORMATION.
  - REFER TO AS-170071-0002 FOR PCB ROUTING RECOMMENDATIONS.
  - ALL VISIBLE EXTERIOR SURFACES TO BE CLASS 'B' (BOTTOM OF CONNECTOR IS CLASS 'C') CAGE SURFACES TO CONFORM TO THE MOLEX COSMETIC DOC PS-45499-002.



PORT SIZE	PART NUMBER	DIM X	DIM Y
2X1	1712241001	14.75	15.10
2X2	1712242001	29.00	29.35
2X4	1712244001	57.50	57.85
2X6	1712246001	86.00	86.35
2X8	1712248001	114.50	114.85
2X12	1712241201	171.50	171.85

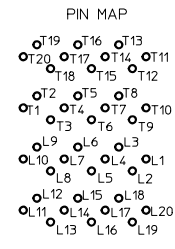
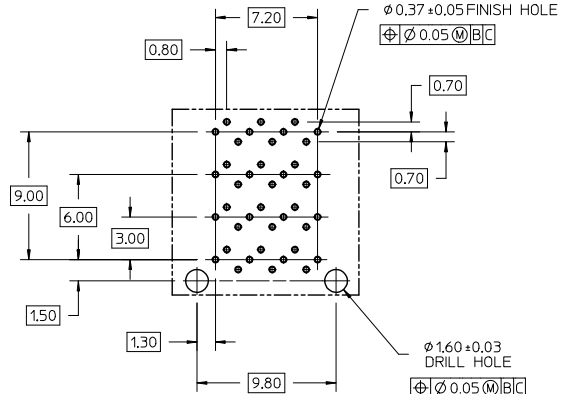
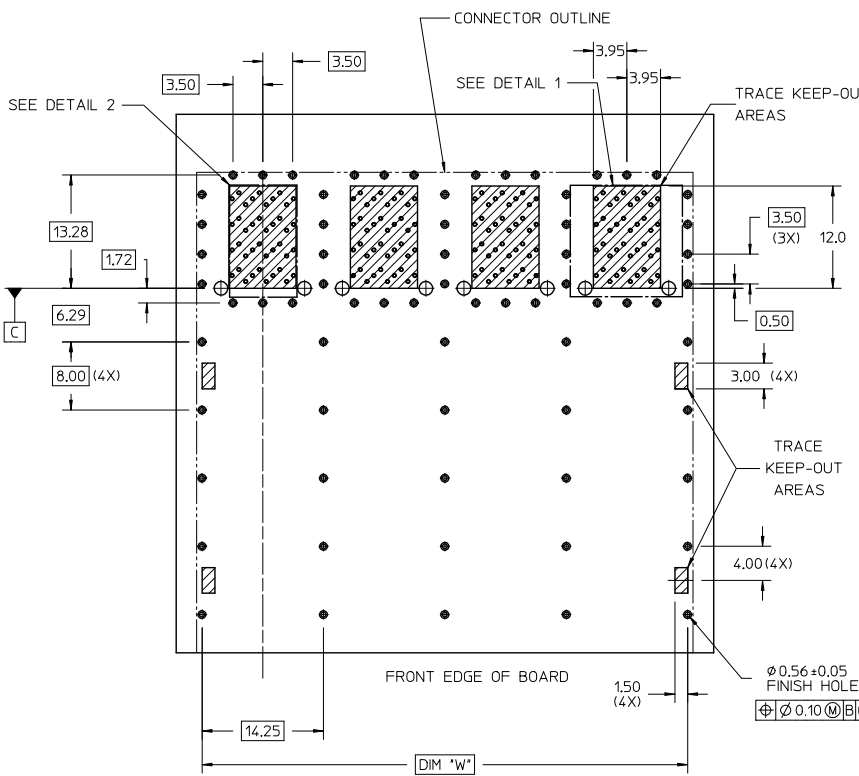
ADD SPRING HEIGHT EC NO: UCP2015-4683 DRAWN: JKACHLIC 2015/05/10 CHKD: APPR: MBANKIS 2015/05/13 DESCRIPTION:	QUALITY SYMBOLS	GENERAL TOLERANCES (UNLESS SPECIFIED)	DIMENSION STYLE	SCALE	DESIGN UNITS	THIRD ANGLE PROJECTION
	$\nabla = 0$ $\nabla = 0$ $\nabla = 0$	mm INCH 4 PLACES ± --- ± --- 3 PLACES ± --- ± --- 2 PLACES ± --- ± --- 1 PLACE ± 0.25 ± --- 0 PLACE ± ±	MM ONLY	2:1	METRIC	ZSFP+ STACKED ASSY METAL SPRING FINGER WITHOUT LIGHT PIPES
	ANGULAR ± 1/2° DRAFT WHERE APPLICABLE MUST REMAIN WITHIN DIMENSIONS	DRAWN BY: JKACHLIC DATE: 2012/01/10 CHECKED BY: DATE: APPROVED BY: MBANKIS DATE: 2012/01/13 MATERIAL NO. SEE CHART DOCUMENT NO. SD-171224-0001	MOLEX	SHEET NO. 1 OF 4		
	THIS DRAWING CONTAINS INFORMATION THAT IS PROPRIETARY TO MOLEX INCORPORATED AND SHOULD NOT BE USED WITHOUT WRITTEN PERMISSION					

13 12 11 10 9 8 7 6 5 4 3 2 1



SEE SHEET 1 EC NO: UCP2015-4683 DRAWN: JKACHLIC 2015/05/07 CHKD: MBANAKIS APPR: MBANAKIS 2015/05/13 REV	QUALITY SYMBOLS	GENERAL TOLERANCES (UNLESS SPECIFIED)	DIMENSION STYLE	SCALE	DESIGN UNITS	THIRD ANGLE PROJECTION	
	$\nabla = 0$ $\nabla = 0$ $\nabla = 0$	mm INCH 4 PLACES ± --- ± --- 3 PLACES ± --- ± --- 2 PLACES ± --- ± --- 1 PLACE ± 0.25 ± --- 0 PLACE ± ±	MM ONLY	3:1	METRIC	ZSFP+ STACKED ASSY METAL SPRING FINGER WITHOUT LIGHT PIPES <b>molex</b>	
	DRAWN BY: JKACHLIC CHECKED BY: MBANAKIS DATE: 2012/01/10 DATE: 2012/01/13	MATERIAL NO. SEE CHART	DOCUMENT NO. SD-171224-0001	SHEET NO. 2 OF 4			
	DRAFT WHERE APPLICABLE MUST REMAIN WITHIN DIMENSIONS		THIS DRAWING CONTAINS INFORMATION THAT IS PROPRIETARY TO MOLEX INCORPORATED AND SHOULD NOT BE USED WITHOUT WRITTEN PERMISSION				

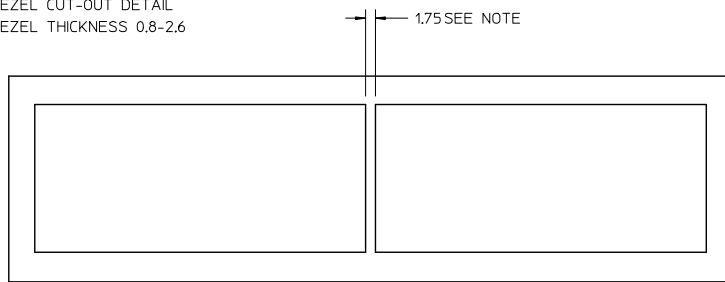
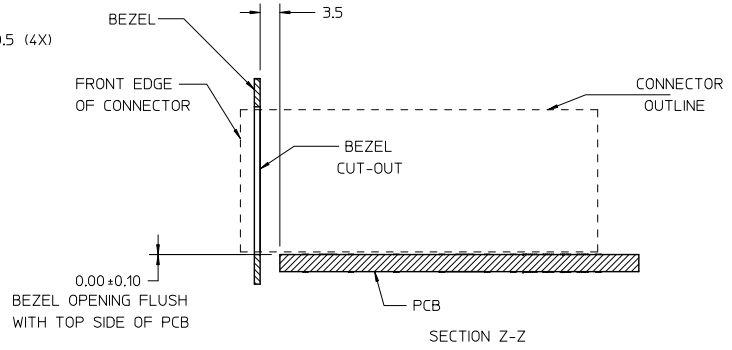
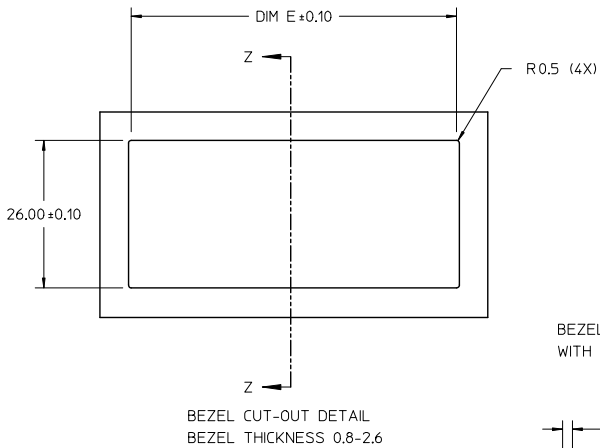
12 11 10 9 8 7 6 5 4 3 2 1



DETAIL 2  
SCALE 6:1

PORT SIZE	DIM "w"	HOLE CHART		
		CONNECTOR ( $\phi 0.37$ )	SHIELD ( $\phi 0.56$ )	LOCATION ( $\phi 1.60$ )
2X1	14.25	40	24	2
2X2	28.50	80	39	4
2X4	57.00	160	69	8
2X6	85.50	240	99	12
2X8	114.00	320	129	16
2X12	171.00	480	189	24

SEE SHEET 1 EC NO: UCP2015-4683 DRAWN: JKACHLIC 2015/05/07 CHKD: APPR: MBANKI S 2015/05/13 REV:	QUALITY SYMBOLS	GENERAL TOLERANCES (UNLESS SPECIFIED)	DIMENSION STYLE MM ONLY	SCALE 3:1	DESIGN UNITS METRIC	THIRD ANGLE PROJECTION	
	$\nabla = 0$ $\nabla = 0.25$ $\nabla = 0$	4 PLACES $\pm$ --- $\pm$ --- 3 PLACES $\pm$ --- $\pm$ --- 2 PLACES $\pm$ --- $\pm$ --- 1 PLACE $\pm 0.25$ $\pm$ --- 0 PLACE $\pm$ $\pm$	mm INCH DRAWN BY JKACHLIC DATE 2012/01/10 CHECKED BY DATE APPROVED BY MBANKI S DATE 2012/01/13 MATERIAL NO. ANGULAR $\pm 1/2^\circ$	TITLE	TITLE	TITLE	TITLE
	DRAFT WHERE APPLICABLE MUST REMAIN WITHIN DIMENSIONS	SEE CHART	SD-171224-0001	3 OF 4	ZSFP+ STACKED ASSY METAL SPRING FINGER WITHOUT LIGHT PIPES <b>molex</b>		
	THIS DRAWING CONTAINS INFORMATION THAT IS PROPRIETARY TO MOLEX INCORPORATED AND SHOULD NOT BE USED WITHOUT WRITTEN PERMISSION						



PORT SIZE	DIM "E"
2X1	15.50
2X2	29.75
2X4	58.25
2X6	86.75
2X8	115.25
2X12	172.25

**NOTE:**

FOR SIDE BY SIDE STACKING OF CONNECTORS, A BASIC DIMENSION OF 3.0mm BETWEEN CONNECTOR MOUNTING PATTERNS IS THE RECOMMENDED MINIMUM SPACING.

SEE SHEET 1 EC NO: UCP2015-4683 DRWN: JKACHLIC 2015/05/07 CHKD: MBANAKIS 2015/05/13 APPR: MBANAKIS	QUALITY SYMBOLS	GENERAL TOLERANCES (UNLESS SPECIFIED)	DIMENSION STYLE	SCALE	DESIGN UNITS	THIRD ANGLE PROJECTION
	∇=0 ∇=0 ∇=0	4 PLACES ± mm ± INCH 3 PLACES ± mm ± INCH 2 PLACES ± mm ± INCH 1 PLACE ± 0.25 mm ± INCH 0 PLACE ± mm ± INCH	MM ONLY	2:1	METRIC	TITLE ZSFP+ STACKED ASSY METAL SPRING FINGER WITHOUT LIGHT PIPES molex
	DRAWN BY: JKACHLIC CHECKED BY: MBANAKIS DATE: 2012/01/10 DATE: 2012/01/13	APPROVED BY: MBANAKIS DATE: 2012/01/13	MATERIAL NO. SEE CHART	DOCUMENT NO. SD-171224-0001	SHEET NO. 4 OF 4	
	DRAFT WHERE APPLICABLE MUST REMAIN WITHIN DIMENSIONS	SIZE C	THIS DRAWING CONTAINS INFORMATION THAT IS PROPRIETARY TO MOLEX INCORPORATED AND SHOULD NOT BE USED WITHOUT WRITTEN PERMISSION			