

Excellent Integrated System Limited

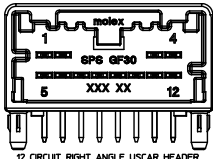
Stocking Distributor

Click to view price, real time Inventory, Delivery & Lifecycle Information:

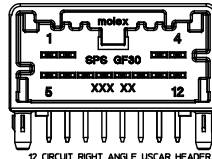
[Molex Connector Corporation](#)
[0348260241](#)

For any questions, you can email us directly:

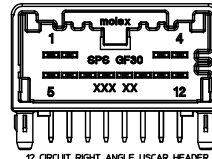
sales@integrated-circuit.com



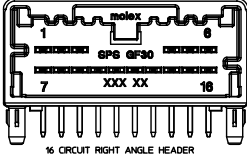
12 CIRCUIT RIGHT ANGLE USCAR HEADER
POLARIZATION OPTION A



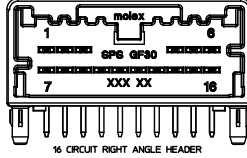
12 CIRCUIT RIGHT ANGLE USCAR HEADER
POLARIZATION OPTION B



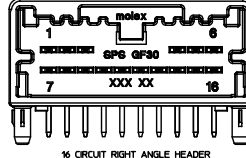
12 CIRCUIT RIGHT ANGLE USCAR HEADER
POLARIZATION OPTION C



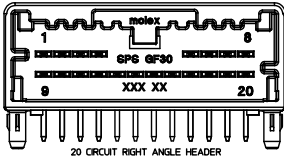
16 CIRCUIT RIGHT ANGLE HEADER
POLARIZATION OPTION A



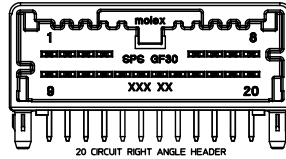
16 CIRCUIT RIGHT ANGLE HEADER
POLARIZATION OPTION B



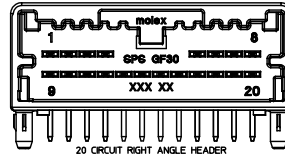
16 CIRCUIT RIGHT ANGLE HEADER
POLARIZATION OPTION C



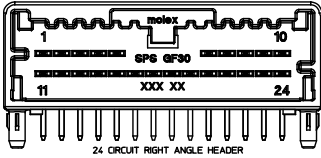
20 CIRCUIT RIGHT ANGLE HEADER
POLARIZATION OPTION A



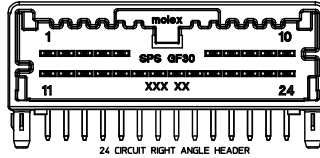
20 CIRCUIT RIGHT ANGLE HEADER
POLARIZATION OPTION B



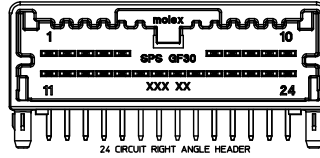
20 CIRCUIT RIGHT ANGLE HEADER
POLARIZATION OPTION C



24 CIRCUIT RIGHT ANGLE HEADER
POLARIZATION OPTION A



24 CIRCUIT RIGHT ANGLE HEADER
POLARIZATION OPTION B



24 CIRCUIT RIGHT ANGLE HEADER
POLARIZATION OPTION C

NOTES: VALID UNLESS OTHERWISE SPECIFIED

1. GENERAL:
 - a. APPLICATION SPECIFICATION SEE: AS-34791-020
 - b. PRODUCT SPECIFICATION SEE: PS-34791-020
 - c. PACKAGING SPECIFICATION PER MOLEX DRAWING; SEE CHART
 - d. SOLDERABILITY PER SMES-52
 - e. PARTS MUST BE IN COMPLIANCE TO MOLEX CHEMICAL SUBSTANCES FOR PRODUCTS AND PACKAGING SPECIFICATION: QEHS-699000-300
 - f. DATA MUST BE SUBMITTED UNDER THE MOLEX PART NUMBER TO MDS (COMPANY ID13255)
 - g. FLAMMABILITY REQUIREMENT: PER ISO3795 OR GM3191
 - h. VISUAL DEFECTS SHALL MEET COSMETIC STANDARD PS-45499-002 (Class B)
2. DESIGN - MATERIALS:
 - a. SHROUD PLASTIC HOUSING: SPS 30% GF, 20% REGRIND MAX PER WEIGHT
 - b. BLADES:
 - BASE METAL: C260 BRASS
 - PLATING REQUIREMENTS:
 - TIN OVER NICKEL
 - UNDERPLATING
 - OVERALL NICKEL
 - OVERPLATING
 - OVERALL TIN
3. DESIGN - GEOMETRY:
 - a. THIS IS A 100% CAD GENERATED PART. THE CAD MATHEMATICAL DATA IS THE MASTER FOR THIS PART. FOR DIMENSIONAL OR ANY INFORMATION NOT SHOWN ON THIS DRAWING, ANALYZE THE CAD MODEL.
 - b. GEOMETRIC DIMENSIONS AND TOLERANCES PER ASME Y14.5M - 2009
 - c. GENERAL TOLERANCES: SEE TITLE BLOCK
 - d. EDGES AND UNDIMENSIONED DETAILS PER ISO13715
 - e. CORNERS SHOWN AS SHARP TO BE R 0.1 MAX
 - f. LETTERING SHALL BE 0.10 MAX RAISED. THIS INCLUDES RECYCLING CODE, PLANT AND CAVITY ID, VENDOR ID, AND CIRCUIT ID.

LAST BALLOON ON DRAWING:
DELETED BALLOONS:
① ② ③ ④ ⑤

QUALITY SYMBOLS ∇=0 ∇=0 ∇=0	GENERAL TOLERANCES (UNLESS SPECIFIED): mm INCH 4 PLACES ± --- ± --- 3 PLACES ± --- ± --- 2 PLACES ± 0.10 ± --- 1 PLACE ± 0.20 ± --- ANGULAR ± 3 °	DIMENSION STYLE MM ONLY	SCALE 5:1	DESIGN UNITS METRIC	THIRD ANGLE PROJECTION	
	DRAWN BY: TICUCU CHECKED BY: TMACHUGA APPROVED BY: SMARLEAU	DATE: 2011/02/24 DATE: 2011/02/25 DATE: 2011/12/12	TITLE: MINI 50 R/A DUAL ROW RIGHT ANGLE ASSEMBLY SALES DRAWING			
	MATERIAL: X SEE CHART	DOCUMENT NO.: SD-34826-001	SHEET NO.: 1 OF 4			
	DRAFT WHERE APPLICABLE MUST REMAIN WITHIN DIMENSIONS THIS DRAWING CONTAINS INFORMATION THAT IS PROPRIETARY TO MOLEX INCORPORATED AND SHOULD NOT BE USED WITHOUT WRITTEN PERMISSION					

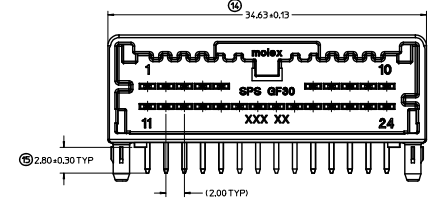
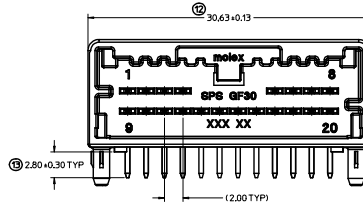
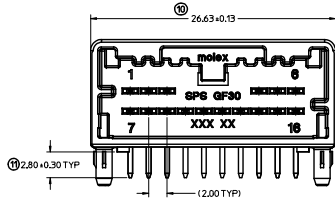
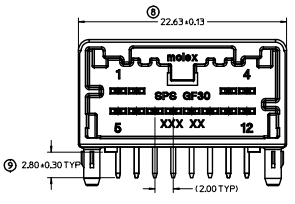
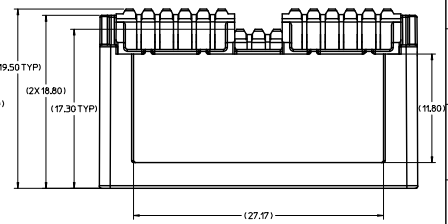
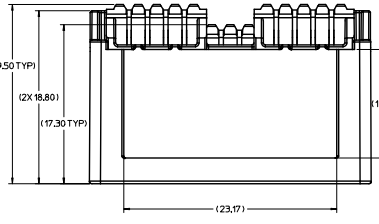
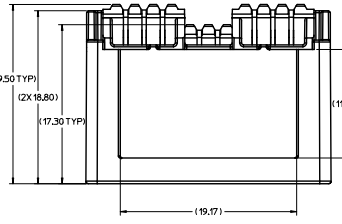
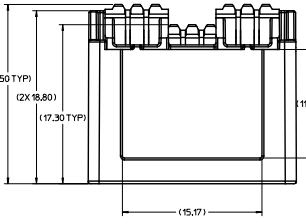
20 19 18 17 16 15 14 13 12 11 10 9 8 7 6 5 4 3 2 1

12 CIRCUIT RIGHT ANGLE
USCAR HEADER

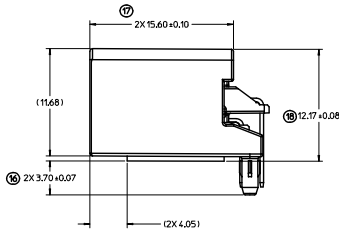
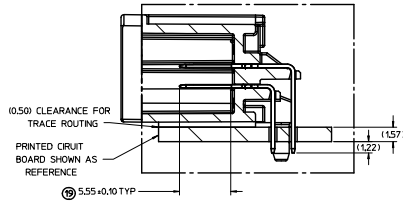
16 CIRCUIT RIGHT ANGLE HEADER

20 CIRCUIT RIGHT ANGLE HEADER

24 CIRCUIT RIGHT ANGLE HEADER



HEADER TO PCB
FLUSH MOUNT



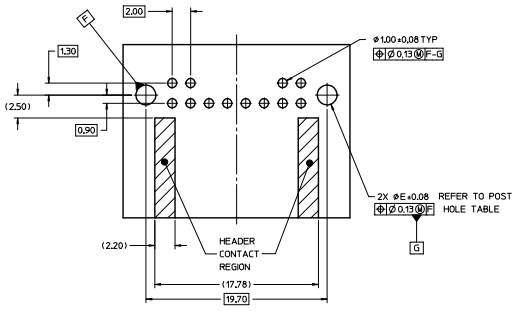
DARY GRAY POL C
EC NO. JALD07-0026
G DRAWN/REVISION 20/06/11
CHKD: APPROVED: 20/06/11
REV: 1

QUALITY SYMBOLS	GENERAL TOLERANCES (UNLESS SPECIFIED)		DRAWN BY		DATE		TITLE
	mm	INCH	TCUCU	2011/02/24	DATE		
▽=0	4 PLACES	±---	±---	CHECKED BY	DATE		MINI 50 R/A DUAL ROW RIGHT ANGLE ASSEMBLY SALES DRAWING
▽=0	3 PLACES	±---	±---	IMACHUGA	2011/02/25		
▽=0	2 PLACES	±0.50	±---	APPROVED BY	DATE		
▽=0	1 PLACE	±0.20	±---	SMARCEAU	2011/12/12		
	0 PLACE	±	±---	MATERIAL NO.			
				ANGULAR ± 3°			
				DRAFT WHERE APPLICABLE MUST REMAIN WITHIN DIMENSIONS			

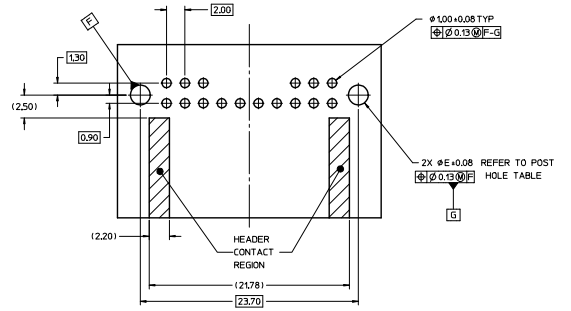
DESIGN STYLE	SCALE	DESIGN UNITS	THIRD ANGLE PROJECTION
MM ONLY	5:1	METRIC	☉
DOCUMENT NO. SD-34826-001			
SHEET NO. 2 OF 4			

19 18 17 16 15 14 13 12 11 10 9 8 7 6 5 4 3 2 1

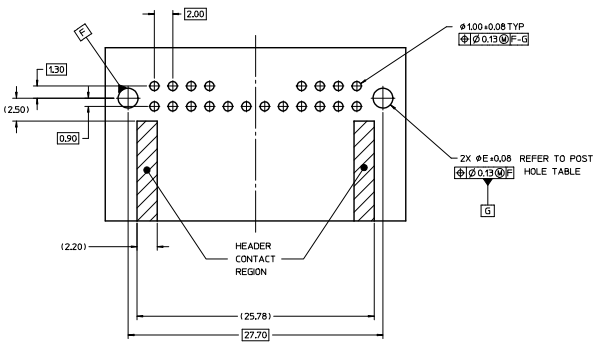
12 CIRCUIT RIGHT ANGLE HEADER
PCB CONFIGURATION



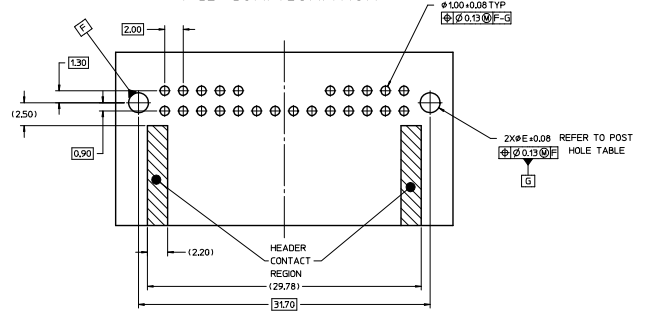
16 CIRCUIT RIGHT ANGLE HEADER
PCB CONFIGURATION



20 CIRCUIT RIGHT ANGLE HEADER
PCB CONFIGURATION



24 CIRCUIT RIGHT ANGLE HEADER
PCB CONFIGURATION



POST HOLE TABLE

	DIM E'
PRESS FIT	2.45
DROP IN	2.55

DARY GRAY POL C EC NO. UAD207-0026 G DRAWN BY: MTT 20/05/11 CHKD: APPRECIAMAL 20/07/12 REV:	QUALITY SYMBOLS	GENERAL TOLERANCES (UNLESS SPECIFIED)	DRIMENSION STYLE	SCALE	DESIGN UNITS	THIRD ANGLE PROJECTION	
		mm INCH	MM ONLY	5:1	METRIC		
	4 PLACES ± 0.10 3 PLACES ± 0.15 2 PLACES ± 0.20 1 PLACE ± 0.25 0 PLACE ± 0.30	± 0.10 ± 0.15 ± 0.20 ± 0.25 ± 0.30	DRAWN BY: TCUCU CHECKED BY: IMACHUGA APPROVED BY: SMARLEAU DATE: 2011/02/24 DATE: 2011/02/25 DATE: 2011/12/12	TITLE			
	ANGULAR ± 3° DRAFT WHERE APPLICABLE MUST REMAIN WITHIN DIMENSIONS	SEE CHART	MATERIAL NO.	DOCUMENT NO.			
MINI 50 R/A DUAL ROW RIGHT ANGLE ASSEMBLY SALES DRAWING						molex SD-34826-001	SHEET NO. 3 OF 4
THIS DRAWING CONTAINS INFORMATION THAT IS PROPRIETARY TO MOLEX INCORPORATED AND SHOULD NOT BE USED WITHOUT WRITTEN PERMISSION							

MINI50 RIGHT ANGLE HEADER ASSEMBLIES

MATERIAL NUMBER TAPE AND REEL PK-47799-0001	MATERIAL NUMBER TUBE PACKAGING PK-31301-688	MATERIAL NUMBER TRAY PACKAGING PK-31301-440	CONFIGURATION	CIRCUIT	POL	COLOR	BLADE PLATING	MATING COMPONENT	
								UN-BRIDGED	BRIDGED
34826-8124	34826-9124	34826-0124	USCAR	12	A	BLACK	TIN OVER NICKEL	34824-0124	34824-1124
34826-8125	34826-9125	34826-0125	USCAR	12	B	GRAY	TIN OVER NICKEL	34824-0125	34824-1125
34826-8126	34826-9126	34826-0126	USCAR	12	C	DARK GRAY	TIN OVER NICKEL	34824-0126	34824-1126
34826-8160	34826-9160	34826-0160	MOLEX	16	A	BLACK	TIN OVER NICKEL	34824-0160	34824-1160
34826-8161	34826-9161	34826-0161	MOLEX	16	B	GRAY	TIN OVER NICKEL	34824-0161	34824-1161
34826-8162	34826-9162	34826-0162	MOLEX	16	C	DARK GRAY	TIN OVER NICKEL	34824-0162	34824-1162
34826-8200	34826-9200	34826-0200	MOLEX	20	A	BLACK	TIN OVER NICKEL	34824-0200	34824-1200
34826-8201	34826-9201	34826-0201	MOLEX	20	B	GRAY	TIN OVER NICKEL	34824-0201	34824-1201
34826-8202	34826-9202	34826-0202	MOLEX	20	C	DARK GRAY	TIN OVER NICKEL	34824-0202	34824-1202
34826-8240	34826-9240	34826-0240	MOLEX	24	A	BLACK	TIN OVER NICKEL	34824-0240	34824-1240
34826-8241	34826-9241	34826-0241	MOLEX	24	B	GRAY	TIN OVER NICKEL	34824-0241	34824-1241
34826-8242	34826-9242	34826-0242	MOLEX	24	C	DARK GRAY	TIN OVER NICKEL	34824-0242	34824-1242

DARK GRAY POL C EC NO. UAD207-0026 G DRAWN BY: 2016/05/14 H CHECKED: 2016/05/14 I APPROVED BY: 2016/05/14 J REVISIONS:	QUALITY SYMBOLS	GENERAL TOLERANCES (UNLESS SPECIFIED)	DRIMENSION STYLE	SCALE	DESIGN UNITS	THIRD ANGLE PROJECTION																		
	$\nabla=0$ $\nabla=0$ $\nabla=0$	<table border="1"> <tr> <th></th> <th>mm</th> <th>INCH</th> </tr> <tr> <td>4 PLACES</td> <td>+ .005</td> <td>+ .0004</td> </tr> <tr> <td>3 PLACES</td> <td>+ .008</td> <td>+ .0005</td> </tr> <tr> <td>2 PLACES</td> <td>+ 0.10</td> <td>+ .0040</td> </tr> <tr> <td>1 PLACE</td> <td>+ 0.20</td> <td>+ .0080</td> </tr> <tr> <td>0 PLACE</td> <td>+ .000</td> <td>+ .0000</td> </tr> </table>		mm	INCH	4 PLACES	+ .005	+ .0004	3 PLACES	+ .008	+ .0005	2 PLACES	+ 0.10	+ .0040	1 PLACE	+ 0.20	+ .0080	0 PLACE	+ .000	+ .0000	MM ONLY	5:1	METRIC	
		mm	INCH																					
	4 PLACES	+ .005	+ .0004																					
3 PLACES	+ .008	+ .0005																						
2 PLACES	+ 0.10	+ .0040																						
1 PLACE	+ 0.20	+ .0080																						
0 PLACE	+ .000	+ .0000																						
DRAWN BY: TCUCU CHECKED BY: IMACHUGA APPROVED BY: SMARCEAU	DATE: 2011/02/24 DATE: 2011/02/25 DATE: 2011/12/12	TITLE: MINI 50 R/A DUAL ROW RIGHT ANGLE ASSEMBLY SALES DRAWING MATERIAL NO. SEE CHART DOCUMENT NO. SD-34826-001	SHEET NO. 4 OF 4																					
DRAFT WHERE APPLICABLE MUST REMAIN WITHIN DIMENSIONS THIS DRAWING CONTAINS INFORMATION THAT IS PROPRIETARY TO MOLEX INCORPORATED AND SHOULD NOT BE USED WITHOUT WRITTEN PERMISSION																								