

## Excellent Integrated System Limited

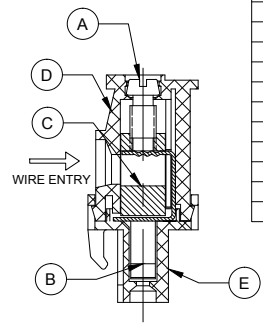
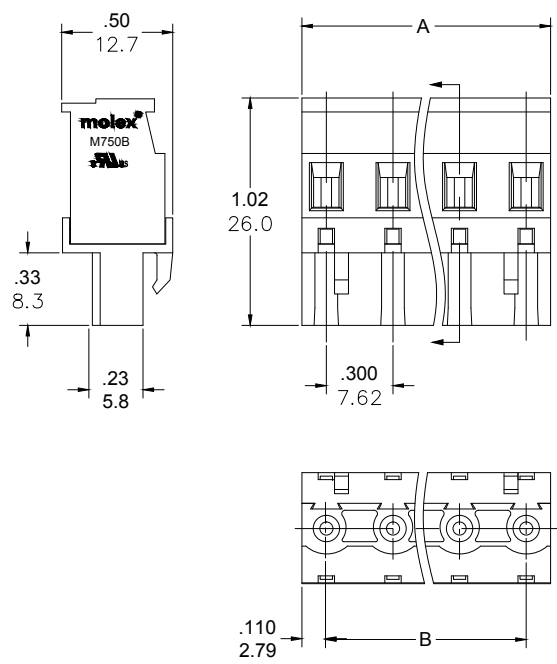
Stocking Distributor

Click to view price, real time Inventory, Delivery & Lifecycle Information:

[Molex Connector Corporation](#)  
[0397060004](#)

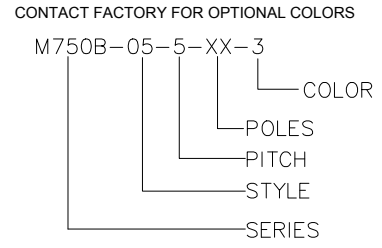
For any questions, you can email us directly:

[sales@integrated-circuit.com](mailto:sales@integrated-circuit.com)



| PART NUMBER DATA |             |                    |       |         |         |             |
|------------------|-------------|--------------------|-------|---------|---------|-------------|
| CIRCUITS         | PART NUMBER | ENGINEERING NUMBER | COLOR | A IN mm | B IN mm |             |
| 2                | 397060002   | M750B-05-5-02-3    | GREEN | .52     | 13.2    | .300 7.62   |
| 3                | 397060003   | M750B-05-5-03-3    | GREEN | .82     | 20.8    | .600 15.24  |
| 4                | 397060004   | M750B-05-5-04-3    | GREEN | 1.12    | 28.4    | .900 22.86  |
| 5                | 397060005   | M750B-05-5-05-3    | GREEN | 1.42    | 36.1    | 1.200 30.48 |
| 6                | 397060006   | M750B-05-5-06-3    | GREEN | 1.72    | 43.7    | 1.500 38.10 |
| 7                | 397060007   | M750B-05-5-07-3    | GREEN | 2.02    | 51.3    | 1.800 45.72 |
| 8                | 397060008   | M750B-05-5-08-3    | GREEN | 2.32    | 58.9    | 2.100 53.34 |
| 9                | 397060009   | M750B-05-5-09-3    | GREEN | 2.62    | 66.5    | 2.400 60.96 |
| 10               | 397060010   | M750B-05-5-10-3    | GREEN | 2.92    | 74.2    | 2.700 68.58 |
| 11               | 397060011   | M750B-05-5-11-3    | GREEN | 3.22    | 81.8    | 3.000 76.20 |
| 12               | 397060012   | M750B-05-5-12-3    | GREEN | 3.52    | 89.4    | 3.300 83.82 |

REF. LAST 2 DIGITS OF PART NUMBER EQUALS CIRCUIT COUNT



SPECIFICATIONS

- MATERIAL:
  - A. SCREW: STEEL, M3, ZINC PLATED
  - B. CONTACT : BRONZE, TIN PLATED
  - C. CAGE: BRASS, NICKEL PLATED
  - D. BODY : PA66, UL94 V-0
  - E. COVER: PA66, UL94 V-0
- WIRE SIZE: 30-12AWG
- ELECTRICAL RATING: 15A AT 51-150V, 10A AT 151-300V
- POWER-FREQUENCY WITHSTAND: AC 2500V/1MIN.
- INSULATION RESISTANCE: DC500V 500MΩ OR ABOVE
- RATED IMPULSE VOLTAGE: 4000V/MINUS AND PLUS 5 TIMES EACH
- WIRE STRIP LENGTH: .28 IN. (7.0mm)
- SCREW TORQUE: 5.0 IN LBS. (0.56 N.M)
- OPERATING TEMPERATURE: -40°C TO +105°C
- DIMS SHOWN ARE FOR REFERENCE ONLY

|  |                              |                                       |                     |                            |                    |  |                              |                        |  |
|--|------------------------------|---------------------------------------|---------------------|----------------------------|--------------------|--|------------------------------|------------------------|--|
| RELEASED<br>EC NO: JPC2014-1533<br>DRWN: RSTONE 2014/02/27<br>CHKD: G. FARNS<br>APPR: JFMURPHY 2014/10/16<br>REV A | QUALITY SYMBOL<br>▽=0<br>▽=0 | GENERAL TOLERANCES (UNLESS SPECIFIED) |                     | DIMENSION STYLE<br>MM ONLY |                    | SCALE<br>---   | DESIGN UNITS<br>METRIC       | THIRD ANGLE PROJECTION |  |
|  |                              | 4 PLACES ±.01 ±.01                    | 3 PLACES ±.01 ±.005 | DRAWN BY<br>RSTONE         | DATE<br>2014/02/27 | TITLE<br>PLUGGABLE TERMINAL BLOCK<br>7.62MM (.300) PITCH<br>VERTICAL, FRONT FACING |                              |                        |  |
|  |                              | 2 PLACES ±0.13 ±.01                   | 1 PLACE ±0.3 ±.     | CHECKED BY<br>G. FARNS     | DATE<br>---        | MOLEX INCORPORATED   |                              |                        |  |
|  |                              | ANGULAR ±.°                           |                     | APPROVED BY<br>JFMURPHY    | DATE<br>2014/10/16 | MATERIAL NO.<br>SEE CHART  | DOCUMENT NO.<br>SD-39706-001 | SHEET NO.<br>1 OF 1    |  |