

Excellent Integrated System Limited

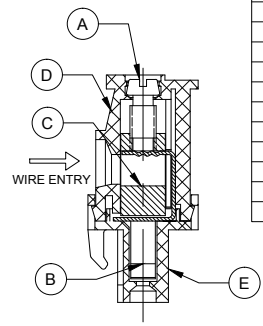
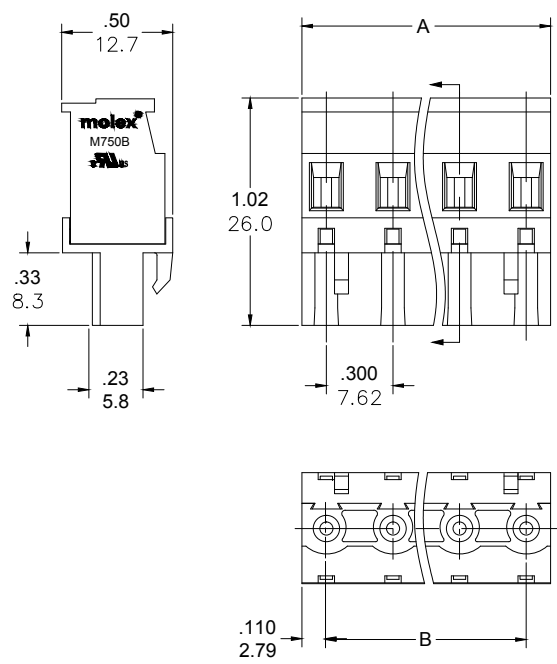
Stocking Distributor

Click to view price, real time Inventory, Delivery & Lifecycle Information:

[Molex Connector Corporation](#)
[0397060010](#)

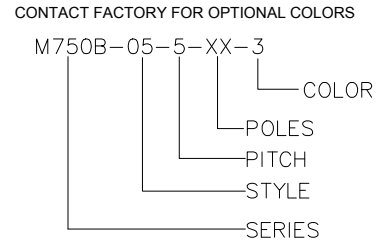
For any questions, you can email us directly:

sales@integrated-circuit.com



PART NUMBER DATA						
CIRCUITS	PART NUMBER	ENGINEERING NUMBER	COLOR	A IN mm	B IN mm	
2	397060002	M750B-05-5-02-3	GREEN	.52	13.2	.300 7.62
3	397060003	M750B-05-5-03-3	GREEN	.82	20.8	.600 15.24
4	397060004	M750B-05-5-04-3	GREEN	1.12	28.4	.900 22.86
5	397060005	M750B-05-5-05-3	GREEN	1.42	36.1	1.200 30.48
6	397060006	M750B-05-5-06-3	GREEN	1.72	43.7	1.500 38.10
7	397060007	M750B-05-5-07-3	GREEN	2.02	51.3	1.800 45.72
8	397060008	M750B-05-5-08-3	GREEN	2.32	58.9	2.100 53.34
9	397060009	M750B-05-5-09-3	GREEN	2.62	66.5	2.400 60.96
10	397060010	M750B-05-5-10-3	GREEN	2.92	74.2	2.700 68.58
11	397060011	M750B-05-5-11-3	GREEN	3.22	81.8	3.000 76.20
12	397060012	M750B-05-5-12-3	GREEN	3.52	89.4	3.300 83.82

REF. LAST 2 DIGITS OF PART NUMBER EQUALS CIRCUIT COUNT



SPECIFICATIONS

- MATERIAL:
 - A. SCREW: STEEL, M3, ZINC PLATED
 - B. CONTACT : BRONZE, TIN PLATED
 - C. CAGE: BRASS, NICKEL PLATED
 - D. BODY : PA66, UL94 V-0
 - E. COVER: PA66, UL94 V-0
- WIRE SIZE: 30-12AWG
- ELECTRICAL RATING: 15A AT 51-150V, 10A AT 151-300V
- POWER-FREQUENCY WITHSTAND: AC 2500V/1MIN.
- INSULATION RESISTANCE: DC500V 500MΩ OR ABOVE
- RATED IMPULSE VOLTAGE: 4000V/MINUS AND PLUS 5 TIMES EACH
- WIRE STRIP LENGTH: .28 IN. (7.0mm)
- SCREW TORQUE: 5.0 IN LBS. (0.56 N.M)
- OPERATING TEMPERATURE: -40°C TO +105°C
- DIMS SHOWN ARE FOR REFERENCE ONLY

RELEASED EC NO: JPC2014-1533 DRWN: RSTONE 2014/02/27 CHKD: G. FARNS APPR: JFMURPHY 2014/10/16 REV A	QUALITY SYMBOL ▽=0 ▽=0	GENERAL TOLERANCES (UNLESS SPECIFIED) <table border="1"> <tr><th></th><th>mm</th><th>INCH</th></tr> <tr><td>4 PLACES</td><td>±.01</td><td>±.0005</td></tr> <tr><td>3 PLACES</td><td>±.02</td><td>±.001</td></tr> <tr><td>2 PLACES</td><td>±0.13</td><td>±.01</td></tr> <tr><td>1 PLACE</td><td>±0.3</td><td>±.01</td></tr> </table>		mm	INCH	4 PLACES	±.01	±.0005	3 PLACES	±.02	±.001	2 PLACES	±0.13	±.01	1 PLACE	±0.3	±.01	DIMENSION STYLE MM ONLY	SCALE ---	DESIGN UNITS METRIC	THIRD ANGLE PROJECTION
		mm	INCH																		
	4 PLACES	±.01	±.0005																		
	3 PLACES	±.02	±.001																		
2 PLACES	±0.13	±.01																			
1 PLACE	±0.3	±.01																			
DRAWN BY RSTONE	DATE 2014/02/27	TITLE PLUGGABLE TERMINAL BLOCK 7.62MM (.300) PITCH VERTICAL, FRONT FACING																			
CHECKED BY G. FARNS	DATE ---	MOLEX INCORPORATED																			
APPROVED BY JFMURPHY	DATE 2014/10/16	MATERIAL NO. SEE CHART	DOCUMENT NO. SD-39706-001	SHEET NO. 1 OF 1																	

DRAFT WHERE APPLICABLE MUST REMAIN WITHIN DIMENSIONS

THIS DRAWING CONTAINS INFORMATION THAT IS PROPRIETARY TO MOLEX INCORPORATED AND SHOULD NOT BE USED WITHOUT WRITTEN PERMISSION