

## Excellent Integrated System Limited

Stocking Distributor

Click to view price, real time Inventory, Delivery & Lifecycle Information:

[Molex Connector Corporation](#)  
[0397420003](#)

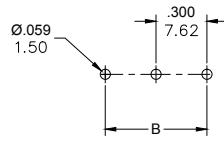
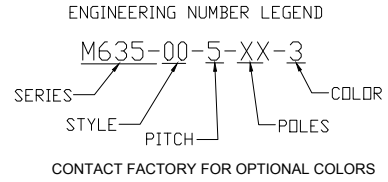
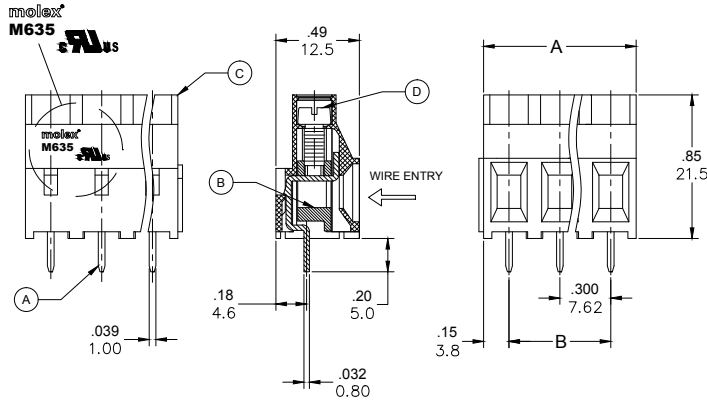
For any questions, you can email us directly:

[sales@integrated-circuit.com](mailto:sales@integrated-circuit.com)

PART NUMBER DATA

CIRCUITS	PART NUMBER	ENGINEERING NUMBER	COLOR	A IN mm		B IN mm	
2	397420002	M635-00-5-02-3	GREEN	.60	15.2	.300	7.62
3	397420003	M635-00-5-03-3	GREEN	.90	22.9	.600	15.24

REF. LAST 2 DIGITS OF PART NUMBER EQUAL CIRCUIT COUNT



SPECIFICATIONS:

- MATERIAL:
  - TERMINAL: BRASS, TIN PLATED
  - CAGE: BRASS, NI PLATED
  - BODY: PA66, UL94 V-0
  - SCREW: M3, STEEL ZINC PLATED
- RATING: 300V, 30A
- MAX TORQUE: 5.0 LBF. IN.
- WIRE RANGE: 30-10 AWG
- WIRE STRIP: .28 IN, (7.0mm)
- DIELECTRIC VOLTAGE WITHSTAND: AC 2500V FOR 1 MINUTE.
- INSULATION RESISTANCE: DC 500V, 500MΩ
- RATED IMPULSE VOLTAGE: 4000V, PLUS AND MINUS 5 TIMES EACH
- OPERATING TEMPERATURE: -40°C TO +105°C
- MAX SOLDERING TEMP: 260°C (500°F) FOR 5 SECONDS
- DIMS. SHOWN ARE FOR REFERENCE ONLY

RELEASED EC NO: IPG/2014-1936 DRAWN: RSTONE 2014/05/15 CHECKED: G FARNSW APPR: JFMURPHY 2014/10/16	QUALITY SYMBOLS ▽=0 □=0	GENERAL TOLERANCES (UNLESS SPECIFIED)		DIMENSION STYLE IN/MM		SCALE ---	DESIGN UNITS METRIC	THIRD ANGLE PROJECTION
		4 PLACES ±--- ±--- 3 PLACES ±--- ±.005 2 PLACES ±0.13 ±.01 1 PLACE ±0.3 ±--- ANGULAR ±---°	DRAWN BY RSTONE DATE 2014/05/15 CHECKED BY G FARNSW DATE --- APPROVED BY JFMURPHY DATE 2014/10/16	TITLE EURO TERMINAL BLOCK 7.62MM MODULAR, VERTICAL				
DRAFT WHERE APPLICABLE MUST REMAIN WITHIN DIMENSIONS		SEE CHART		MATERIAL NO.		DOCUMENT NO. SD-39742-001		SHEET NO. 1 OF 1
THIS DRAWING CONTAINS INFORMATION THAT IS PROPRIETARY TO MOLEX INCORPORATED AND SHOULD NOT BE USED WITHOUT WRITTEN PERMISSION								