

## Excellent Integrated System Limited

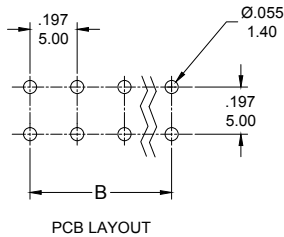
Stocking Distributor

Click to view price, real time Inventory, Delivery & Lifecycle Information:

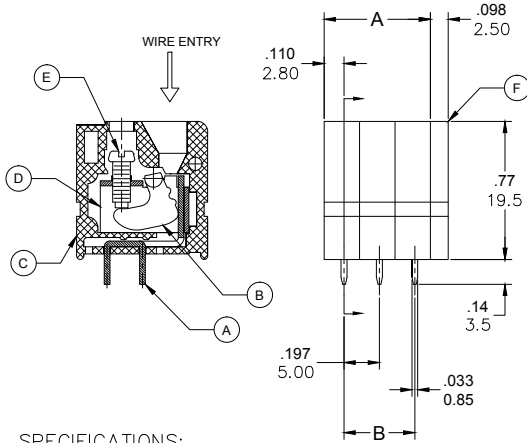
[Molex Connector Corporation](#)  
[0397440005](#)

For any questions, you can email us directly:

[sales@integrated-circuit.com](mailto:sales@integrated-circuit.com)



PCB LAYOUT



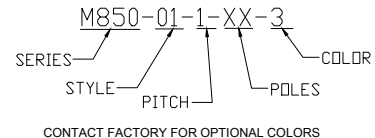
SPECIFICATIONS:

- MATERIAL:
  - A. TERMINAL: BRASS, TIN PLATED
  - B. CAM: STEEL, ZINC PLATED
  - C. BODY: PA66, UL94 V-0
  - D. CAGE: STEEL, ZINC PLATED
  - E. SCREW: M2.5, STEEL, ZINC PLATED
  - F. COVER: PA66, UL94 V-0
- RATING: 300V, 20A
- MAX TORQUE: 4.4 LBF. IN
- WIRE RANGE: 30-12 AWG
- WIRE STRIP: .39 (10.0MM)
- DIELECTRIC VOLTAGE WITHSTAND: AC 2500V FOR 1 MINUTE
- INSULATION RESISTANCE: DC 500V, 500MΩ
- RATED IMPULSE VOLTAGE: 4000V PLUS AND MINUS 5 TIMES EACH
- OPERATING TEMPERATURE: -40°C TO +105°C
- MAX SOLDERING TEMP: +260°C (500°F) FOR 5 SECONDS
- DIMS SHOWN ARE FOR REFERENCE ONLY

PART NUMBER DATA							
CIRCUITS	PART NUMBER	ENGINEERING NUMBER	COLOR	A IN mm	B IN mm		
1	397440001	M850-01-1-01-3	GREEN	.20	5.0	.000	.00
2	397440002	M850-01-1-02-3	GREEN	.39	10.0	.197	5.00
3	397440003	M850-01-1-03-3	GREEN	.59	15.0	.394	10.00
4	397440004	M850-01-1-04-3	GREEN	.79	20.0	.591	15.00
5	397440005	M850-01-1-05-3	GREEN	.98	25.0	.787	20.00
6	397440006	M850-01-1-06-3	GREEN	1.18	30.0	.984	25.00
7	397440007	M850-01-1-07-3	GREEN	1.38	35.0	1.181	30.00
8	397440008	M850-01-1-08-3	GREEN	1.57	40.0	1.378	35.00
9	397440009	M850-01-1-09-3	GREEN	1.77	45.0	1.575	40.00
10	397440010	M850-01-1-10-3	GREEN	1.97	50.0	1.772	45.00
11	397440011	M850-01-1-11-3	GREEN	2.17	55.0	1.969	50.00
12	397440012	M850-01-1-12-3	GREEN	2.36	60.0	2.165	55.00
13		M850-01-1-13-3	GREEN	2.56	65.0	2.362	60.00
14		M850-01-1-14-3	GREEN	2.76	70.0	2.559	65.00
15		M850-01-1-15-3	GREEN	2.95	75.0	2.756	70.00
16		M850-01-1-16-3	GREEN	3.15	80.0	2.953	75.00
17		M850-01-1-17-3	GREEN	3.35	85.0	3.150	80.00
18		M850-01-1-18-3	GREEN	3.54	90.0	3.346	85.00
19		M850-01-1-19-3	GREEN	3.74	95.0	3.543	90.00
20		M850-01-1-20-3	GREEN	3.94	100.0	3.740	95.00
21		M850-01-1-21-3	GREEN	4.13	105.0	3.937	100.00
22		M850-01-1-22-3	GREEN	4.33	110.0	4.134	105.00
23		M850-01-1-23-3	GREEN	4.53	115.0	4.331	110.00
24		M850-01-1-24-3	GREEN	4.72	120.0	4.528	115.00

REF. LAST 2 DIGITS OF PART NUMBER EQUAL CIRCUIT COUNT

ENGINEERING NUMBER LEGEND



CONTACT FACTORY FOR OPTIONAL COLORS

RELEASED EC NO: JPC2014-1936 DRWN: RSTONE 2014/06/30 CHKO: --- APPR: JFMURPHY 2014/10/16 REV A	QUALITY SYMBOL ▽=0 ▽=0	GENERAL TOLERANCES (UNLESS SPECIFIED)		DIMENSION STYLE IN/MM		SCALE ---	DESIGN UNITS METRIC	THIRD ANGLE PROJECTION		
		4 PLACES ±-- ±--	3 PLACES ±-- ±.005	2 PLACES ±0.13 ±.01	1 PLACE ±0.3 ±--	DRAWN BY RSTONE	DATE 2014/06/30	TERM BLOCK, VERTICAL MODULAR, BOX 5.0MM		
		ANGULAR ±2°				CHECKED BY ---	DATE ---	MOLEX INCORPORATED		
		DRAFT WHERE APPLICABLE MUST REMAIN WITHIN DIMENSIONS				APPROVED BY JFMURPHY	DATE 2014/10/16	SD-39744-001		
				MATERIAL NO. SEE CHART		DOCUMENT NO. SD-39744-001		SHEET NO. 1 OF 1		