

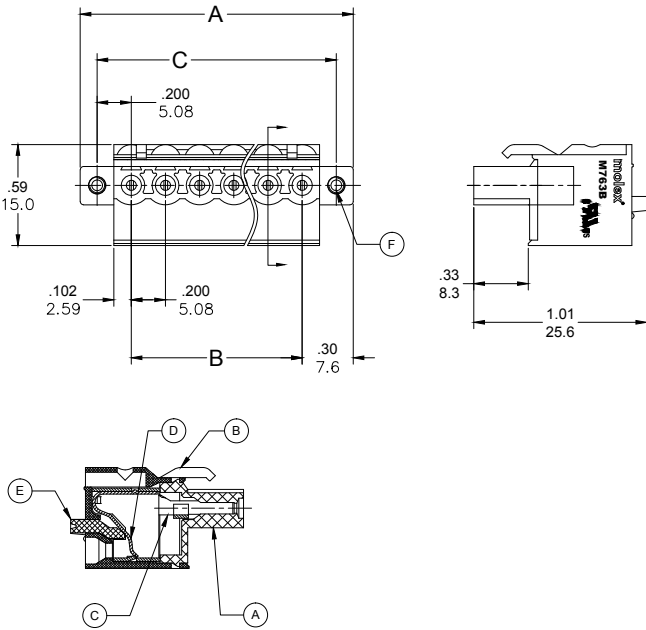
Excellent Integrated System Limited

Stocking Distributor

Click to view price, real time Inventory, Delivery & Lifecycle Information:

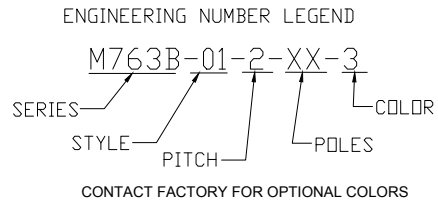
[Molex Connector Corporation](#)
[0397600005](#)

For any questions, you can email us directly:
sales@integrated-circuit.com



PART NUMBER DATA									
CIRCUITS	PART NUMBER	ENGINEERING NUMBER	COLOR	A IN mm		B IN mm		C IN mm	
2	397600002	M763B-01-2-02-3	GREEN	.80	20.3	.200	5.08	.600	15.24
3	397600003	M763B-01-2-03-3	GREEN	1.00	25.3	.400	10.16	.800	20.32
4	397600004	M763B-01-2-04-3	GREEN	1.20	30.4	.600	15.24	1.000	25.40
5	397600005	M763B-01-2-05-3	GREEN	1.40	35.5	.800	20.32	1.200	30.48
6	397600006	M763B-01-2-06-3	GREEN	1.60	40.6	1.000	25.40	1.400	35.56
7	397600007	M763B-01-2-07-3	GREEN	1.80	45.7	1.200	30.48	1.600	40.64
8	397600008	M763B-01-2-08-3	GREEN	2.00	50.7	1.400	35.56	1.800	45.72
9	397600009	M763B-01-2-09-3	GREEN	2.20	55.8	1.600	40.64	2.000	50.80
10	397600010	M763B-01-2-10-3	GREEN	2.40	60.9	1.800	45.72	2.200	55.88
11	397600011	M763B-01-2-11-3	GREEN	2.60	66.0	2.000	50.80	2.400	60.96
12	397600012	M763B-01-2-12-3	GREEN	2.80	71.0	2.200	55.88	2.600	66.04
13		M763B-01-2-13-3	GREEN	3.00	76.1	2.400	60.96	2.800	71.12
14		M763B-01-2-14-3	GREEN	3.20	81.2	2.600	66.04	3.000	76.20
15		M763B-01-2-15-3	GREEN	3.40	86.3	2.800	71.12	3.200	81.28
16		M763B-01-2-16-3	GREEN	3.60	91.4	3.000	76.20	3.400	86.36
17		M763B-01-2-17-3	GREEN	3.80	96.4	3.200	81.28	3.600	91.44
18		M763B-01-2-18-3	GREEN	4.00	101.5	3.400	86.36	3.800	96.52
19		M763B-01-2-19-3	GREEN	4.20	106.6	3.600	91.44	4.000	101.60
20		M763B-01-2-20-3	GREEN	4.40	111.7	3.800	96.52	4.200	106.68
21		M763B-01-2-21-3	GREEN	4.60	116.7	4.000	101.60	4.400	111.76
22		M763B-01-2-22-3	GREEN	4.80	121.8	4.200	106.68	4.600	116.84
23		M763B-01-2-23-3	GREEN	5.00	126.9	4.400	111.76	4.800	121.92
24		M763B-01-2-24-3	GREEN	5.20	132.0	4.600	116.84	5.000	127.00

REF. LAST 2 DIGITS OF PART NUMBER EQUALS CIRCUIT COUNT



SPECIFICATIONS:

- MATERIAL:
 - A. BODY1: PA66 UL94 V-0
 - B. BODY2: PA66 UL94 V-0
 - C. TERMINAL: BRASS TIN PLATED
 - D. SPRING: STAINLESS STEEL
 - E. BUTTON: PA66 UL94 V-0
 - F. SCREW: M3 STEEL ZINC PLATED
- WIRE SIZE: 24 TO 12AWG
- RATING: 250V, 12A
- WIRE STRIP LENGTH: .39IN. (10.0mm)
- DIELECTRIC VOLTAGE WITHSTAND: AC 2500V FOR 1 MINUTE
- INSULATION RESISTANCE: DC 500V, 500MΩ
- RATED IMPULSE VOLTAGE: 4000V, PLUS AND MINUS 5 TIMES EACH
- OPERATING TEMPERATURE: -40°C TO +105°C
- DIMS. SHOWN ARE FOR REFERENCE ONLY

RELEASED EC NO: JPC2014-176 DRWN: RSTONE 2014/05/02 CHKD: G FARNSW APPR: J MURPHY 2014/10/16 A	QUALITY SYMBOL ▽=0 ▽=0	GENERAL TOLERANCES (UNLESS SPECIFIED)		DIMENSION STYLE IN/MM		SCALE ---	DESIGN UNITS METRIC	THIRD ANGLE PROJECTION	
		4 PLACES ±	±	DRAWN BY RSTONE	DATE 2014/05/02	TITLE PLUG, HORIZONTAL WIRE TRAP, 5.08MM WITH MOUNTING ENDS			
		3 PLACES ±	±	CHECKED BY G FARNSW	DATE ---				
		2 PLACES ±0.13	±.005	APPROVED BY JFMURPHY	DATE 2014/10/16	MOLEX INCORPORATED			
1 PLACE ±0.3	±.01	MATERIAL NO. SEE CHART		DOCUMENT NO. SD-39760-001		SHEET NO. 1 OF 1			
DRAFT WHERE APPLICABLE MUST REMAIN WITHIN DIMENSIONS				THIS DRAWING CONTAINS INFORMATION THAT IS PROPRIETARY TO MOLEX INCORPORATED AND SHOULD NOT BE USED WITHOUT WRITTEN PERMISSION					