

Excellent Integrated System Limited

Stocking Distributor

Click to view price, real time Inventory, Delivery & Lifecycle Information:

[Molex Connector Corporation](#)
[0733000440](#)

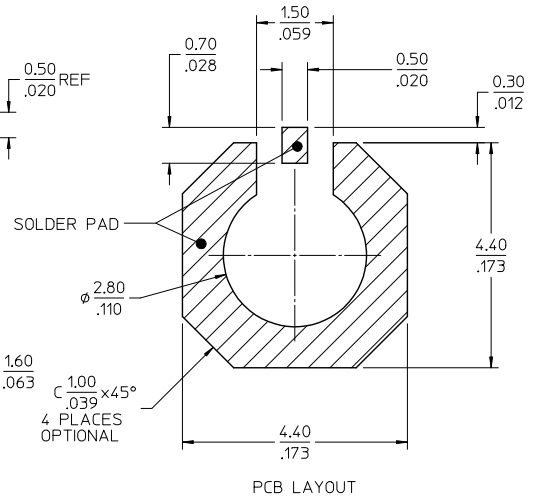
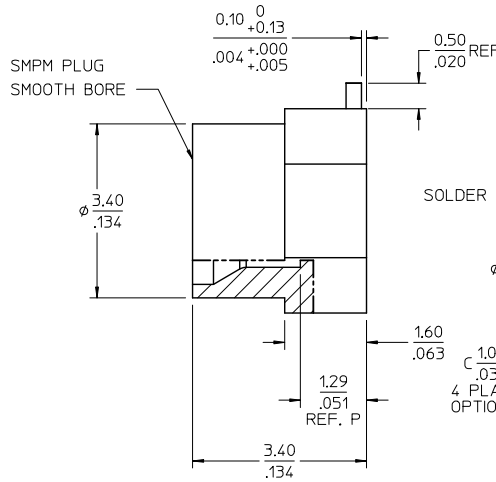
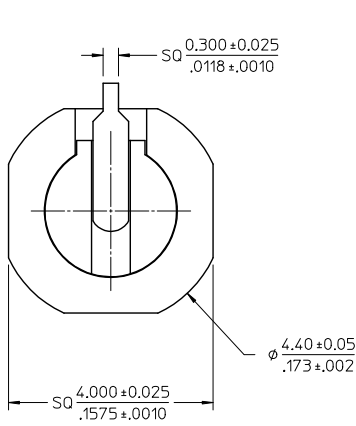
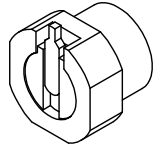
For any questions, you can email us directly:

sales@integrated-circuit.com

MATERIALS AND FINISHES:

BODY, CENTER CONTACT: BRASS
 FINISH: GOLD 5u-in MIN OVER
 NICKEL PHOSPHOR 80u-in MIN

INSULATOR: LCP



| | |
|------------|--|
| 73300-0442 | TAPE AND REEL WITH KAPTON TAPE |
| 73300-0441 | TAPE AND REEL (1500 PCS) |
| 73300-0440 | SMPM PLUG SMOOTH BORE INTERFACE (TRAY) |
| PART NO. | DESCRIPTION |

| | |
|--------------------------|-------------|
| MIL-STD-348A, FIG. 328-3 | INTERFACE |
| SPECIFICATION | DESCRIPTION |

| | | | | | | | | | |
|--|-------------------------------|---------------------------------------|------------|------------------------------|------------|---|--|------------------------|---------------------|
| CHG: ADDED P/N -0442 EC NO: URF2015-0631 2015/05/12 DRWINSHAH CHKOLLM APPROBATION 2015/05/13 APPROBATION 2015/05/13 | QUALITY SYMBOLS ▽=0 ▽=0 | GENERAL TOLERANCES (UNLESS SPECIFIED) | | DIMENSION STYLE MM/IN | | SCALE | DESIGN UNITS | THIRD ANGLE PROJECTION | |
| | | mm | INCH | DRAWN BY | DATE | TITLE | SMPM PLUG, SMT SB PCB VERTICAL 50 OHM EWR-5398, SMPM-PCB/SMT | MOLEX INCORPORATED | SHEET NO. 1 OF 1 |
| | | 4 PLACES ±--- | ±--- | JLEE02 | 2014/06/03 | | | | |
| | | 3 PLACES ±--- | ±--- | CHECKED BY | DATE | | | | |
| 2 PLACES ±--- | ±--- | SSS | 2014/06/03 | | | | | | |
| 1 PLACE ±--- | ±--- | APPROVED BY | DATE | | | | | | |
| | | WSPINK | 2014/09/04 | | | | | | |
| DRAFT WHERE APPLICABLE MUST REMAIN WITHIN DIMENSIONS | | MATERIAL NO. SEE TABLE | | DOCUMENT NO. SD-73300-044 | | THIS DRAWING CONTAINS INFORMATION THAT IS PROPRIETARY TO MOLEX INCORPORATED AND SHOULD NOT BE USED WITHOUT WRITTEN PERMISSION | | | |