

## Excellent Integrated System Limited

Stocking Distributor

Click to view price, real time Inventory, Delivery & Lifecycle Information:

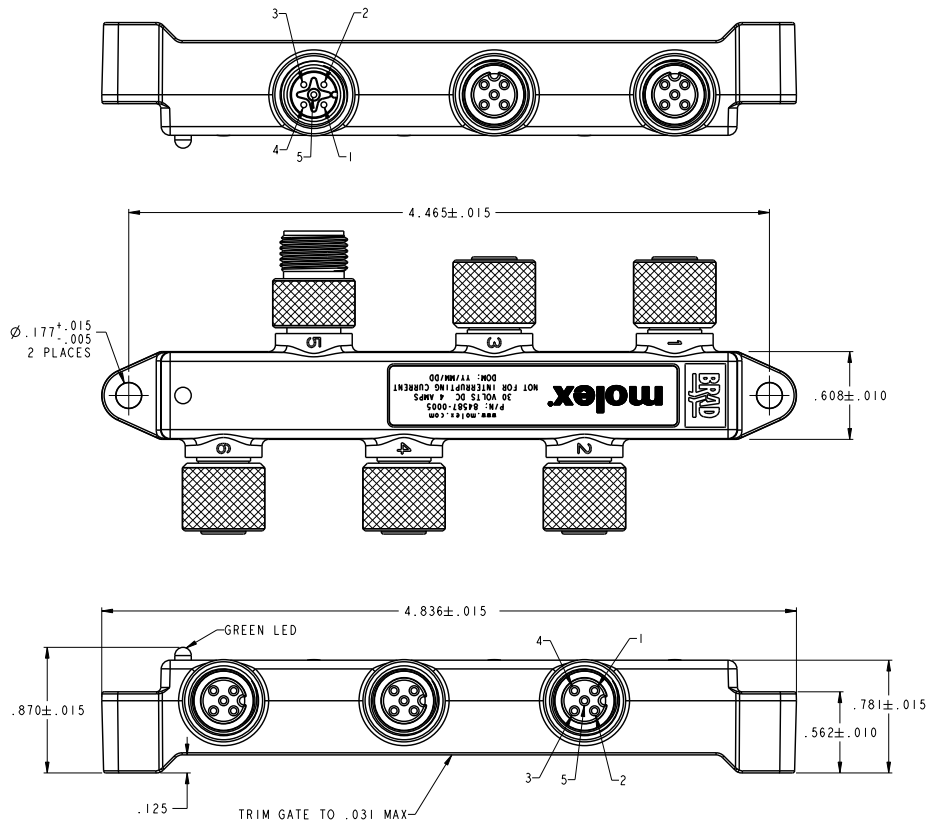
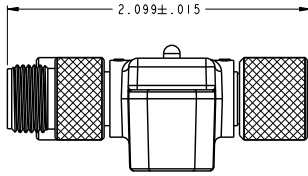
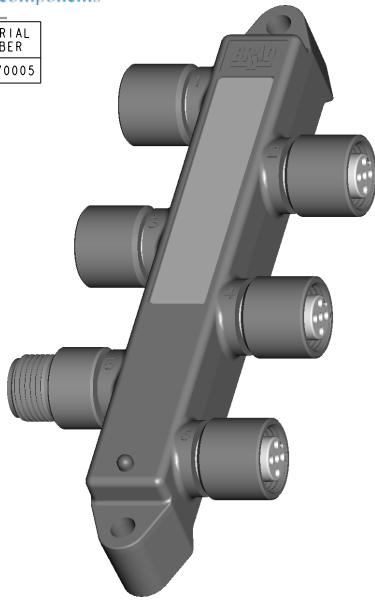
[Molex Connector Corporation](#)  
[0845870005](#)

For any questions, you can email us directly:

[sales@integrated-circuit.com](mailto:sales@integrated-circuit.com)

REV	ECN	BY	CRD	DATE	DESCRIPTION
A	1PG2012	KJ	BW	5/22/12	INITIAL RELEASE

ENGINEERING NUMBER	MATERIAL NUMBER
84587-0005	845870005



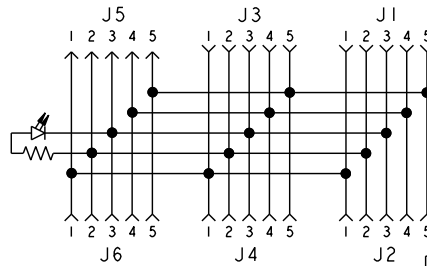
**NOTES:**

**MATERIALS**  
 COUPLING NUT - BRASS ALLOY WITH NICKEL PLATING  
 INSERT - NYLON  
 OVERMOLD - MINERAL FILLED PVC

**ELECTRICAL**  
 VOLTAGE MAX - 30V DC  
 CURRENT MAX - 4 AMPS

**ENVIRONMENTAL**  
 CABLE PULL FORCE (AXIAL AND SIDE LOAD) - 30LBS FOR 1 MINUTE  
 PROTECTION - IP67 WHEN MATING CONNECTOR IS INSTALLED  
 VIBRATION - EIA-364-28, TEST CONDITION V (10-2000 Hz), TEST CONDITION LETTER F (0.3 g SQUARED/Hz), FOR 8 HOURS IN EACH AXIS  
 SALT FOG PER EIA-364-26, TEST CONDITION C (500 HOURS)  
 AMBIENT OPERATING TEMPERATURE - -20°C TO 80°C

ASSEMBLE 3 CLOSURE CAPS TO PORTS 1 THRU 3



PIN #	WIRE COLOR	NMEA DESIGNATION	DEVICENET DESIGNATION
1	SHIELD	SHIELD	DRAIN
2	RED	NET-S	V+
3	BLACK	NET-C	V-
4	WHITE	NET-H	CAN_H
5	BLUE	NET-L	CAN_L

DRAWN BY: KJ CHECKED BY: BW DATE: 5/18/12 DATE: 5/18/12	MOLEX INCORPORATED
MATERIAL: FINISH: UNLESS OTHERWISE SPECIFIED TOLERANCES ARE: DIM: ± .020 DIA: ± .005 FRACTIONAL: ± 1/64 ANGULAR: ± 1/2°	TITLE: MIC 6 PORT MPIS 5P DC SIDEMOUNT WITH POWER LED SIZE: C SCALE: 2:1 DRAWING NUMBER: SD-84587-005 PROJECT NUMBER: SHEET 1 OF 1

THIRD ANGLE PROJECTION  
 THIS DRAWING CONTAINS INFORMATION THAT IS PROPRIETARY TO MOLEX INCORPORATED AND SHOULD NOT BE USED WITHOUT WRITTEN PERMISSION