

Excellent Integrated System Limited

Stocking Distributor

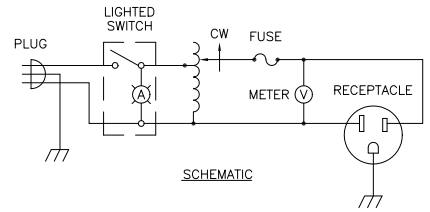
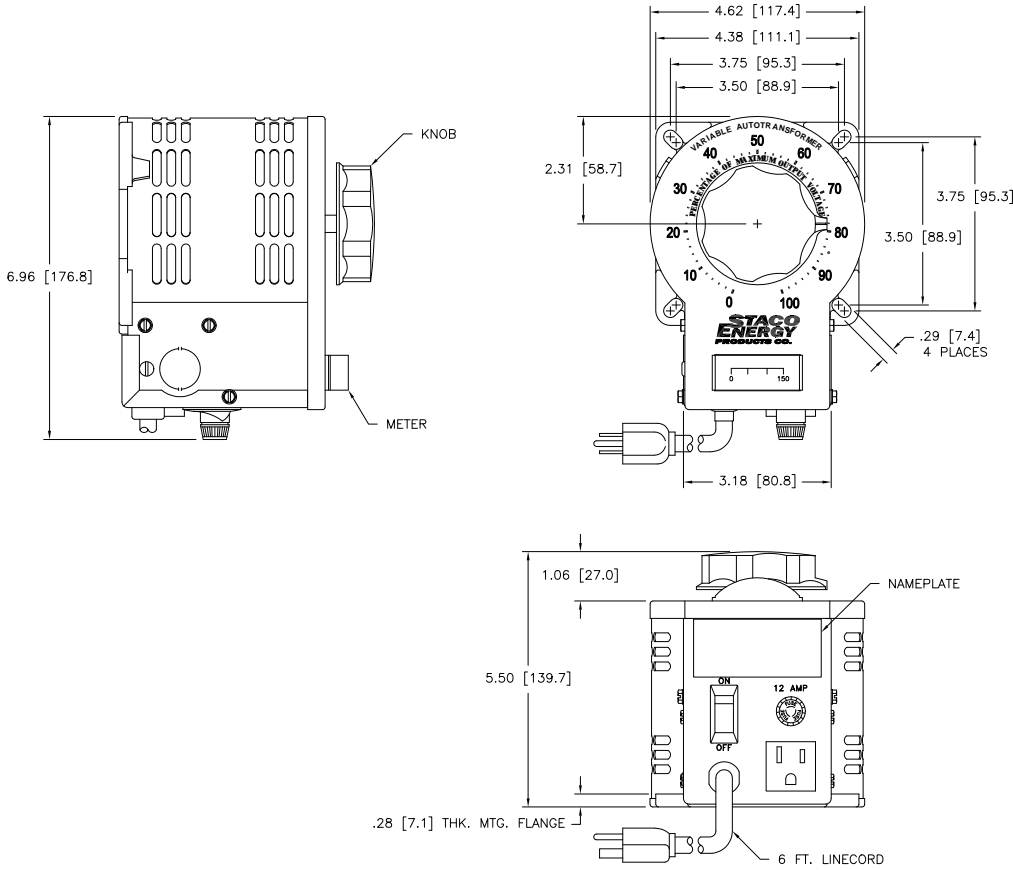
Click to view price, real time Inventory, Delivery & Lifecycle Information:

[Staco Energy Products Co.](#)
[3PN1010BV](#)

For any questions, you can email us directly:

sales@integrated-circuit.com

REV. NO.	031-1649		
REV.	DATE	BY	APP.
A	24/3/01	3/12/01	
REVISED SILKSCREEN			



WIRING	INPUT		OUTPUT	
	VOLTS	HERTZ	VOLTS	CONSTANT CURRENT LOAD
SINGLE PHASE	120	50/60	0-140	MAX. AMPS MAX. KVA
				10 1.4

<small>UNLESS OTHERWISE SPECIFIED, TOLERANCES ARE: DIMENSIONS IN MILLIMETERS: FRACTIONS: ±0.25 (10%), DECIMALS: ±0.13 (10%) DIMENSIONS IN INCHES: FRACTIONS: ±0.005 (10%), DECIMALS: ±0.0025 (10%)</small>		<small>DATE</small> 10/10/96	<small>BY</small> S.A. SMITH	<small>CHKD.</small> S.A. SMITH	<small>DATE</small> 10/10/96	<small>REV. NO.</small> 031-1649
<small>THIS DRAWING IS THE PROPERTY OF STACO ENERGY PRODUCTS CO. AND IS NOT TO BE REPRODUCED OR TRANSMITTED IN ANY FORM OR BY ANY MEANS, ELECTRONIC OR MECHANICAL, INCLUDING PHOTOCOPYING, RECORDING, OR BY ANY INFORMATION STORAGE AND RETRIEVAL SYSTEM, WITHOUT THE WRITTEN PERMISSION OF STACO ENERGY PRODUCTS CO.</small>		SPEC. CONTROL DRAWING VARIABLE TRANSFORMER MODEL: 3PN1010BV				<small>FIG. NO.</small> D
<small>DESIGNED BY</small> S.A. SMITH		<small>DATE</small> 10/10/96	<small>REV. NO.</small> 031-1649	<small>SCALE</small> 1=1		<small>FIG. NO.</small> D