

Excellent Integrated System Limited

Stocking Distributor

Click to view price, real time Inventory, Delivery & Lifecycle Information:

[Murata Electronics North America](#)
[FDSD0512-H-1R0M=P3](#)

For any questions, you can email us directly:

sales@integrated-circuit.com



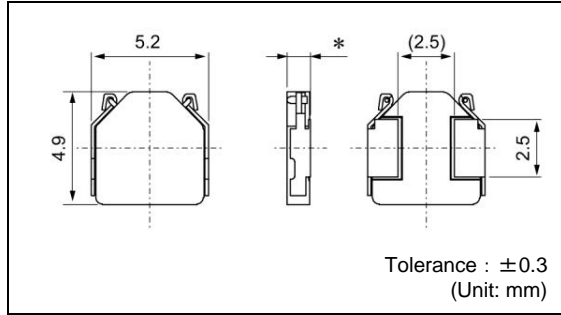
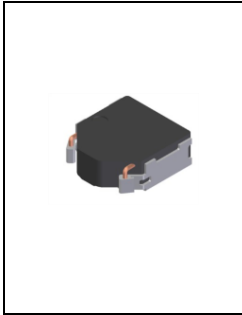
Metal Alloy Inductors
金属合金功率电感器

FDSD0512

RoHS

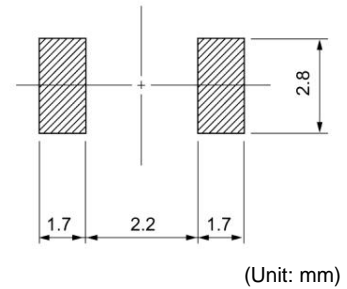
REACH

Inductance Range: 1.0~6.8μH



* : FDSD0512 : 1.2mm Max

Recommended patterns
推荐焊盘尺寸



FEATURES 特点

- 5.2 × 4.9mm square and 1.2mm Max. height.
- Magnetically shielded construction, low DC resistance.
- The use of magnetic iron powder ensure capability for large current.
- Low audible core noise.
- Ideal for DC-DC converter applications.
- Operating temperature : -20~+100°C
- 最大5.2 × 4.9毫米的平面，最大高度1.2毫米
- 磁性屏蔽结构，低直流电阻
- 使用合金系磁性粉，保证了大电流
- 低芯片噪音
- DC-DC转换器电感器的理想选择
- 使用温度范围：-20~+100°C

STANDARD PART NUMBERS 标准零件号码

TYPE FDSD0512 (Quantity/reel; 4,000 PCS)

零件号码	电感值 ⁽¹⁾	公差	最大直流电阻 ⁽²⁾	最大电感减小电流 ⁽³⁾	最大温度上升电流 ⁽⁴⁾
Part Number	Inductance ⁽¹⁾ (μH)	Tolerance (%)	DC Resistance ⁽²⁾ (mΩ) Max. (Typ.)	Inductance Decrease Current ⁽³⁾ (A) Max. (Typ.) $\frac{\Delta L}{L} = 30\%$	Temperature Rise Current ⁽⁴⁾ $\Delta T = 40^\circ\text{C}$ (A) Max. (Typ.)
FDSD0512-H-1R0M=P3	1.0	± 20	44 (37)	6.1 (7.6)	4.0 (4.7)
FDSD0512-H-K2R2M=P3	2.2	± 20	68 (56)	4.2 (5.2)	3.2 (3.8)
FDSD0512-H-4R7M=P3	4.7	± 20	180 (150)	3.0 (3.7)	2.0 (2.3)
FDSD0512-H-6R8M=P3	6.8	± 20	210 (180)	2.3 (2.9)	1.7 (2.0)

(1) Inductance is measured with a LCR meter 4284A (Agilent Technologies) or equivalent.
 Test frequency at 100kHz
 (2) DC resistance is measured with 34420A (Agilent Technologies) or 3541(HIOKI). (Reference ambient temperature 25°C)
 (3) Inductance Decrease Current based upon 30% inductance reduction from the initial value
 (4) Temperature Rise Current based upon 40°C temperature rise. (Reference ambient temperature 25°C)
 (5) Absolute maximum voltage 30VDC.

(1) LCR仪表4284A (Agilent技术) 或者功能相同的仪器在100kHz下测试电感值。
 (2) 通过数码万用表34420A (Agilent技术) 或者3541(HIOKI)测试直流电阻。(环境温度为25°C)
 (3) 电感值降低电流是基于电感值从最初的值降低30%计算的。
 (4) 温度升高电流是基于温度上升40°C的基础上衡量的。(参考周围环境温度25°C)
 (5) 绝对最高电压30伏特。

NOTICE: Please be sure that you carefully discuss your planned purchase with our sales division if you intend to use the product for business use etc. is severe.

注意：如果你准备使用该产品作为商业用途等，请确认你与我们的销售部仔细讨论了你的购买计划。