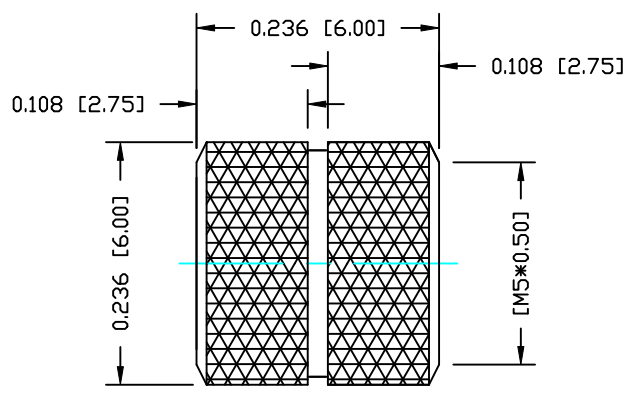
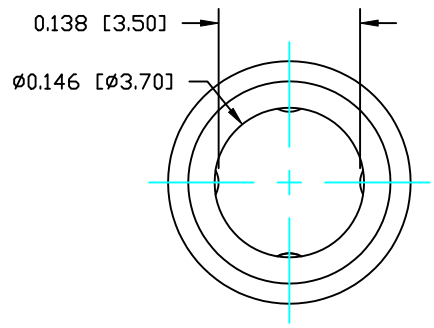
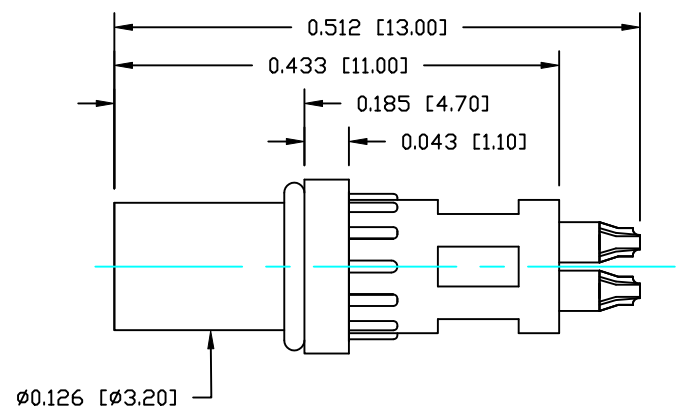
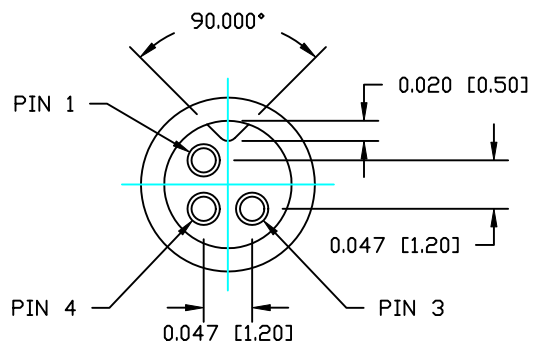


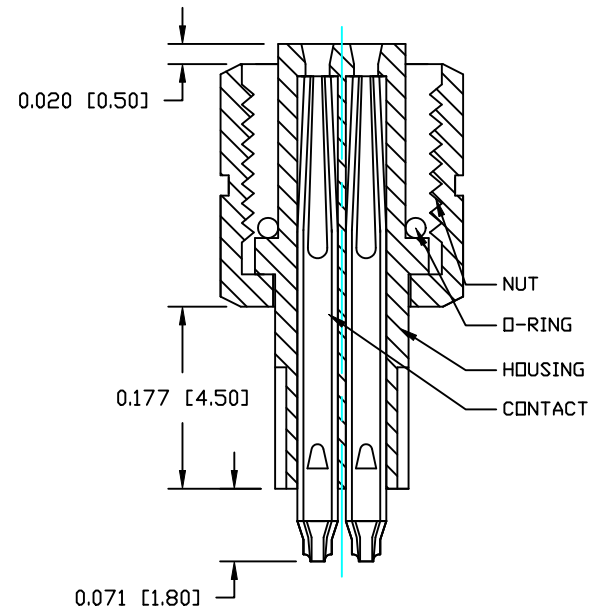
DESCRIPTION: M5 FEMALE - CABLE MOUNT - SOLDER CUP - 3 POSITION



NUT

NOTE:

MATERIAL	
HOUSING:	TPU, BLACK
CONTACT:	PHOSPHOR BRONZE
NUT:	BRASS
O-RING:	NBR, BLACK
FINISH	
CONTACT:	GOLD FLASH (0.8-1.0)μ OVER 50μ NICKEL
NUT:	
ELECTRICAL	
RATED CURRENT:	1A
RATED VOLTAGE:	60V
WATER PROOF:	IP67
ENVIRONMENT	
OPERATION TEMPERATURE:	-40°C TO +85°C



RoHS COMPLIANT

DO NOT SCALE FROM DRAWING



THESE DRAWINGS AND SPECIFICATIONS ARE THE PROPERTY OF NorComp AND SHALL NOT BE REPRODUCED, COPIED OR USED AS THE BASIS FOR THE MANUFACTURE OR SALE OF APPARATUS WITHOUT WRITTEN PERMISSION.

DRAWN:	C. SMITH	DATE:	08/17/14
CHECKED:		DATE:	

NorComp

SCALE:	NTS	SHEET	1	OF	1	REV	0
DWG NO.	850-003-203RLU1						