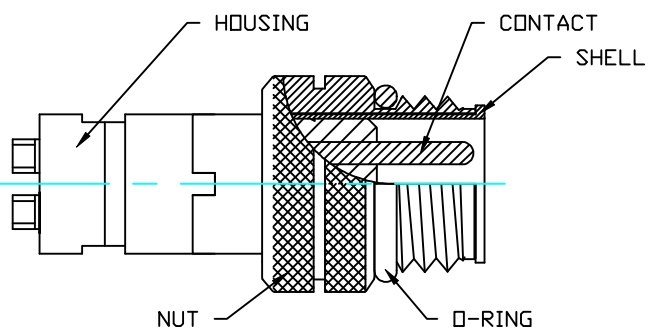


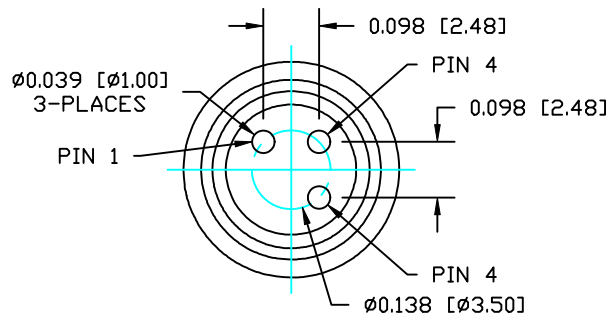
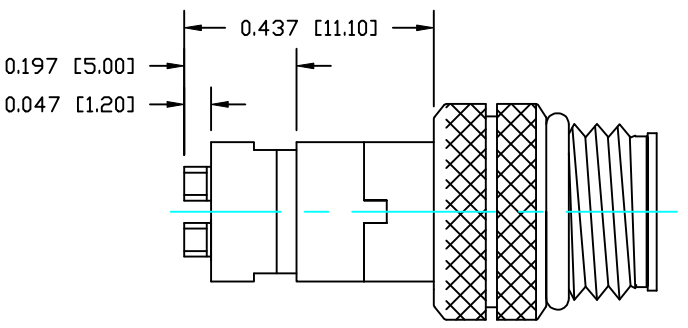
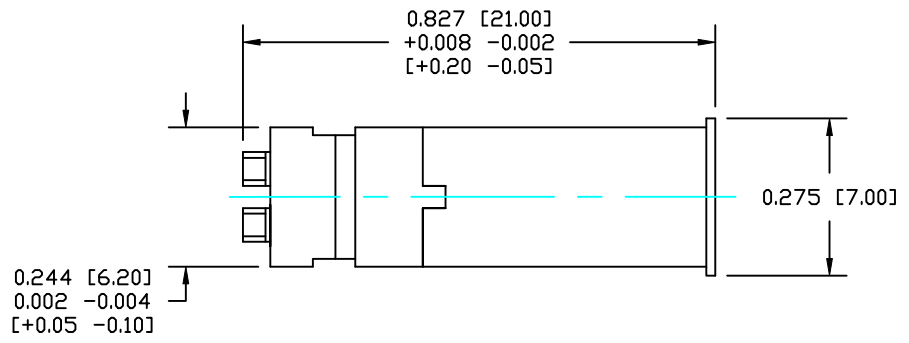
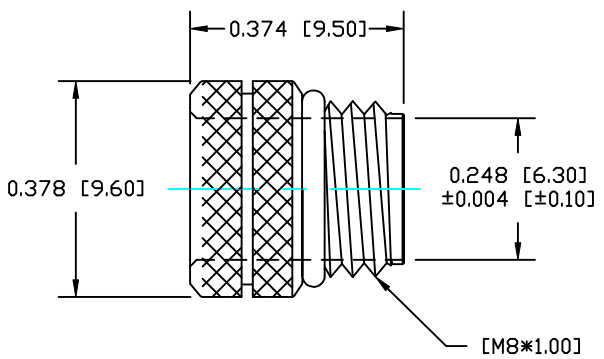
**DESCRIPTION: M8 MALE - CABLE MOUNT - SOLDER CUP - 3 POS.**



**NOTE:**

**MATERIAL**

HOUSING:	PBT UL94V-0, BLACK
CONTACT:	COPPER ALLOY
NUT:	COPPER ALLOY
SHELL:	COPPER ALLOY
O-RING:	NBR, BLACK
<b>FINISH</b>	
CONTACT:	GOLD FLASH 10µ" MIN. OVER 50µ" NICKEL
NUT:	NICKEL PLATED 60µ" TO 100µ" OVER ALL
SHELL:	NICKEL PLATED 60µ" TO 100µ" OVER ALL
<b>ELECTRICAL</b>	
RATED CURRENT:	5A
RATED VOLTAGE:	125V
WATER PROOF:	IP67
<b>ENVIRONMENT</b>	
OPERATION TEMPERATURE:	-40°C TO +85°C
WIRE GAUGE:	24-28 AWG



**RoHS COMPLIANT**

**DO NOT SCALE FROM DRAWING**



THESE DRAWINGS AND SPECIFICATIONS ARE THE PROPERTY OF NorComp AND SHALL NOT BE REPRODUCED, COPIED OR USED AS THE BASIS FOR THE MANUFACTURE OR SALE OF APPARATUS WITHOUT WRITTEN PERMISSION.

**DRAWN:**  
C. SMITH  
**CHECKED:**

**DATE:**  
08-14-14  
**DATE:**

**NorComp**

**SCALE:**  
N.T.S.

**SHEET OF**  
1 1

**REV**  
0

**DWG NO.**  
854-003-103RLS4