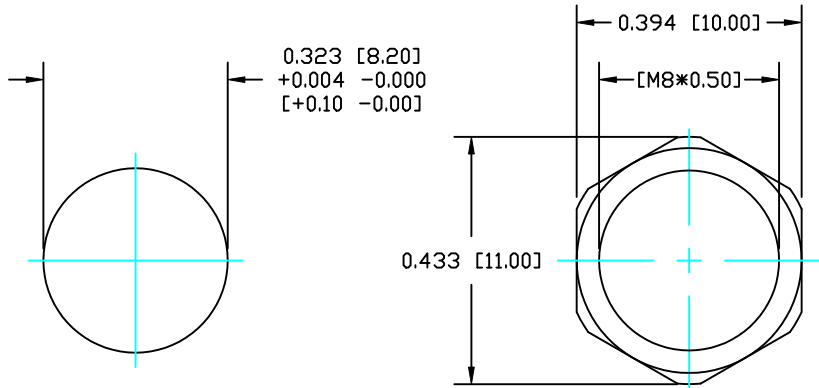
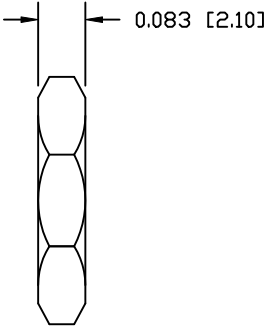


DESCRIPTION: M8 MALE - PANEL MOUNT (FRONT) - SOLDER CUP - 5 POS.



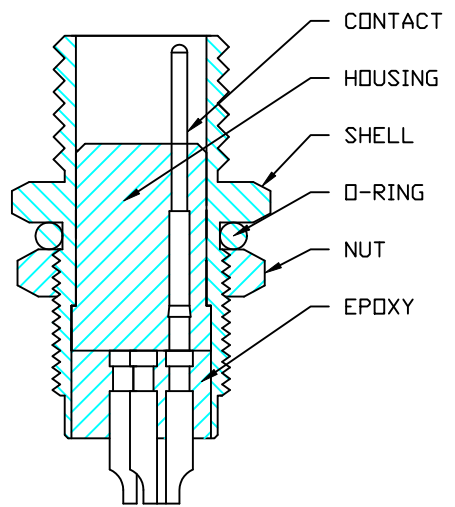
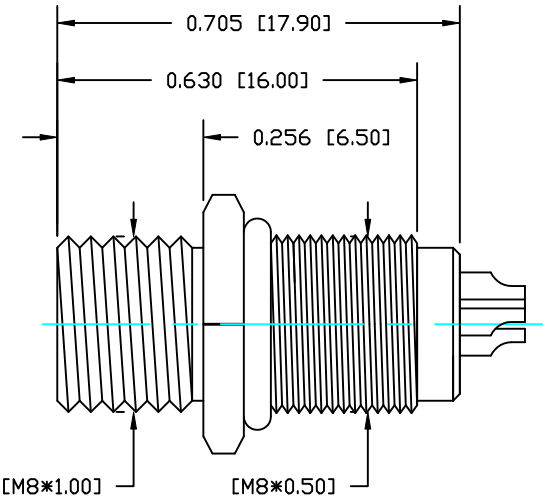
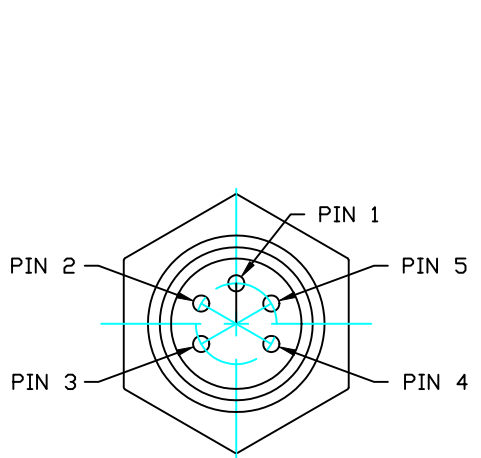
PANEL CUTOUT

NUT



NOTE:

MATERIAL	
HOUSING:	PBT UL94V-0, BLACK
CONTACT:	BRASS
NUT:	BRASS
SHELL:	BRASS
O-RING:	NBR, BLACK
FINISH	
CONTACT:	GOLD FLASH (0.8-1.0) μ m OVER 50 μ m NICKEL
SHELL:	NICKEL PLATED
NUT:	NICKEL PLATED
ELECTRICAL	
RATED CURRENT:	3A
RATED VOLTAGE:	60V
WATER PROOF:	IP67
ENVIRONMENT	
OPERATION TEMPERATURE:	-40°C TO +85°C
WIRE GAUGE:	24-28 AWG



RoHS COMPLIANT

DO NOT SCALE FROM DRAWING



THESE DRAWINGS AND SPECIFICATIONS ARE THE PROPERTY OF NorComp AND SHALL NOT BE REPRODUCED, COPIED OR USED AS THE BASIS FOR THE MANUFACTURE OR SALE OF APPARATUS WITHOUT WRITTEN PERMISSION.

DRAWN: C. SMITH

DATE: 08-14-14

CHECKED:

DATE:

NorComp

SCALE: N.T.S.

SHEET 1 OF 1

REV 0

DWG NO. 855-005-103R001