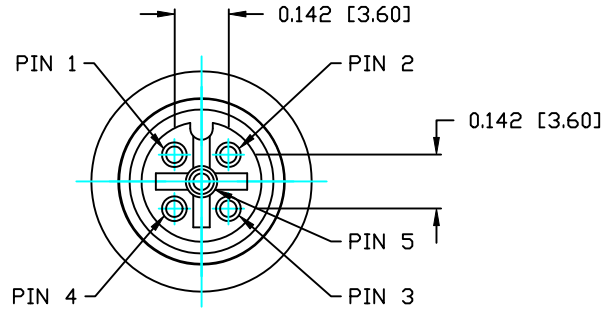
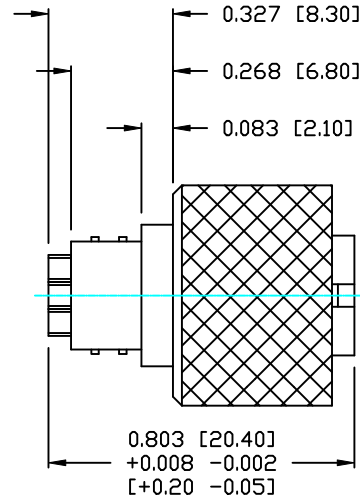
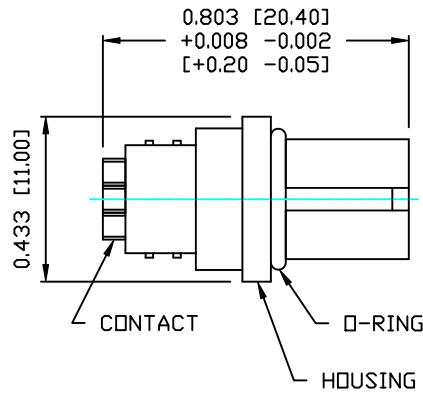
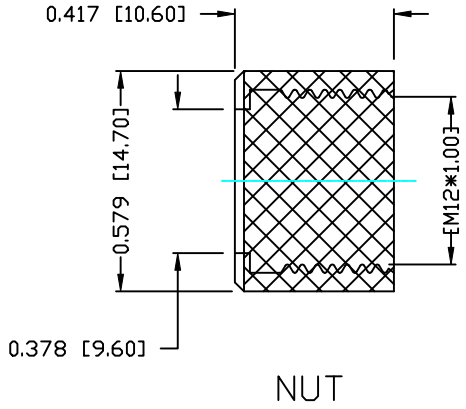


DESCRIPTION: M12 FEMALE - CABLE MOUNT - SOLDER CUP - 5 POS.

NOTE:

MATERIAL  
 HOUSING: PBT UL94V-0, BLACK  
 CONTACT: BRASS  
 NUT: BRASS  
 O-RING: EDMP  
 FINISH  
 CONTACT: GOLD 10µ MIN.  
 OVER 50µ NICKEL  
 NUT: NICKEL PLATED  
 60µ TO 10µ OVER ALL  
 ELECTRICAL  
 RATED CURRENT: 5A  
 RATED VOLTAGE: 125V  
 WATER PROOF: IP67  
 ENVIRONMENT  
 OPERATION TEMPERATURE: -40°C TO +85°C  
 WIRE GAUGE: 24-28 AWG



RoHS COMPLIANT

DO NOT SCALE FROM DRAWING



THESE DRAWINGS AND SPECIFICATIONS ARE THE PROPERTY OF NorComp AND SHALL NOT BE REPRODUCED, COPIED OR USED AS THE BASIS FOR THE MANUFACTURE OR SALE OF APPARATUS WITHOUT WRITTEN PERMISSION.

DRAWN: C. SMITH  
 DATE: 08-22-14  
 CHECKED: DATE:

NorComp

SCALE: N.T.S. SHEET 1 OF 1 REV 0  
 DWG NO. 858-005-203RSU4