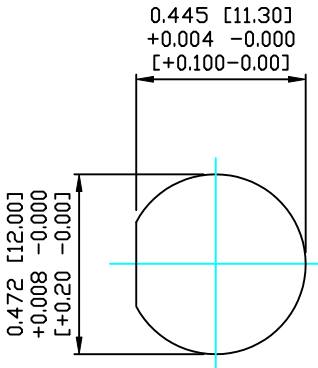


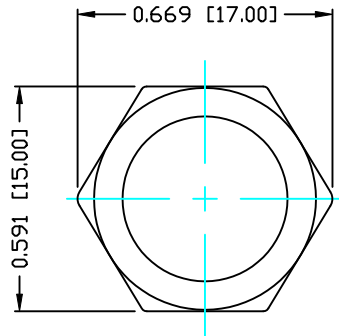
**DESCRIPTION: M12 MALE - PANEL MOUNT (REAR) - SOLDER CUP - 4 POS.**

**NOTE:**

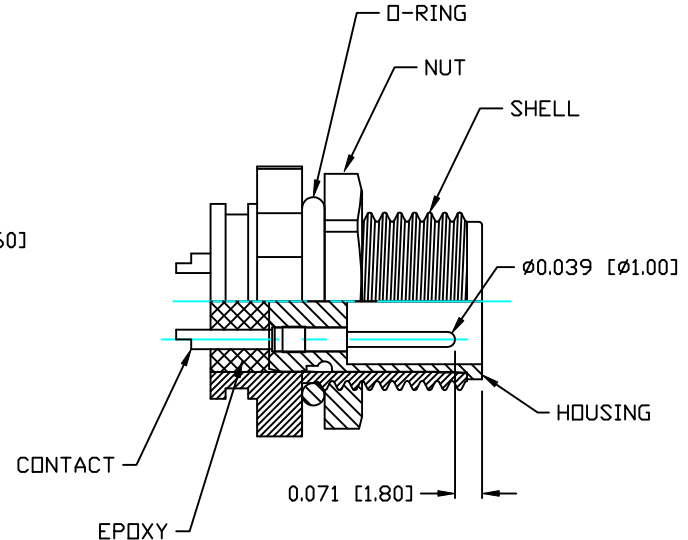
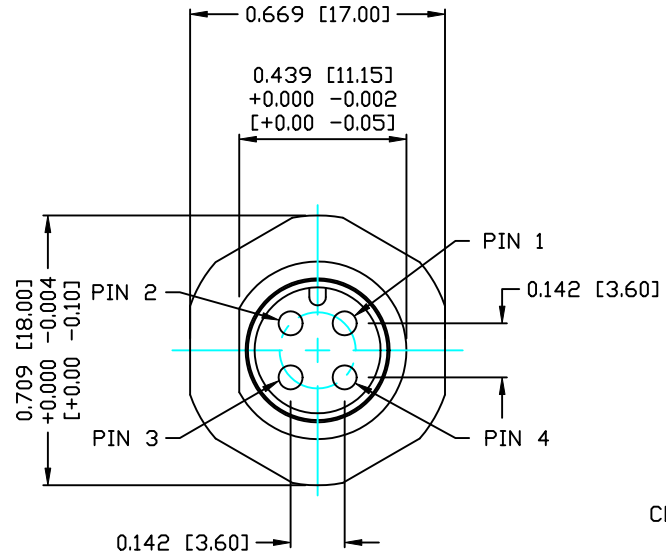
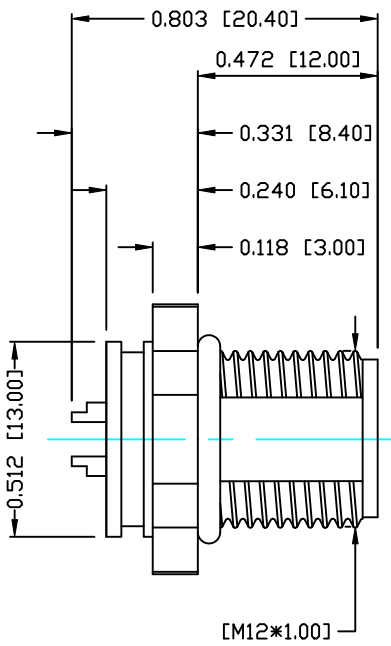
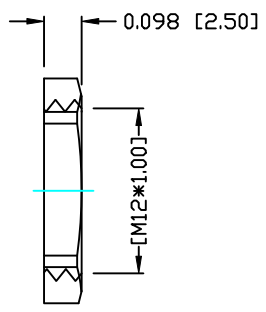
<b>MATERIAL</b>	
HOUSING:	PBT UL94V-0, BLACK
CONTACT:	BRASS
SHELL:	BRASS
NUT:	BRASS
O-RING:	EPDM, BLACK
<b>FINISH</b>	
CONTACT:	GOLD 10µ MIN. OVER 50µ NICKEL
SHELL:	NICKEL PLATED OVER ALL
NUT:	NICKEL PLATED OVER ALL
<b>ELECTRICAL:</b>	
RATED CURRENT:	5A
RATED VOLTAGE:	125V
WATER PROOF:	IP67
<b>ENVIRONMENT:</b>	
OPERATION TEMPERATURE:	-40°C TO +85°C
WIRE GAUGE:	24-28 AWG



PANEL CUTOUT



NUT



**RoHS COMPLIANT**

**DO NOT SCALE FROM DRAWING**



THESE DRAWINGS AND SPECIFICATIONS ARE THE PROPERTY OF NorComp AND SHALL NOT BE REPRODUCED, COPIED OR USED AS THE BASIS FOR THE MANUFACTURE OR SALE OF APPARATUS WITHOUT WRITTEN PERMISSION.

<b>DRAWN:</b> C. SMITH	<b>DATE:</b> 09-05-14
<b>CHECKED:</b>	<b>DATE:</b>

**NorComp**

<b>SCALE:</b> N.T.S.	<b>SHEET</b> 1 <b>OF</b> 1	<b>REV</b> 1
<b>DWG NO.</b> 859-004-103R004		