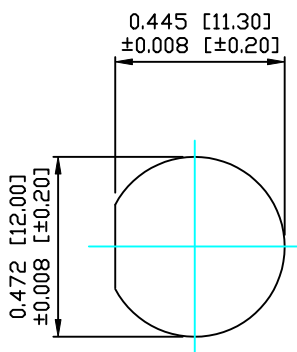


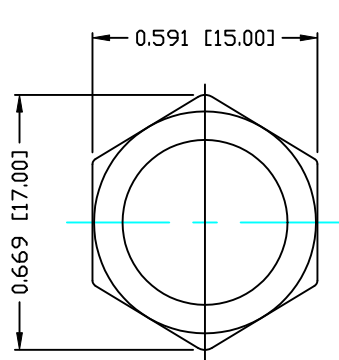
DESCRIPTION: M12 MALE - PANEL MOUNT (REAR) - SOLDER CUP - 5 POS.

NOTE:

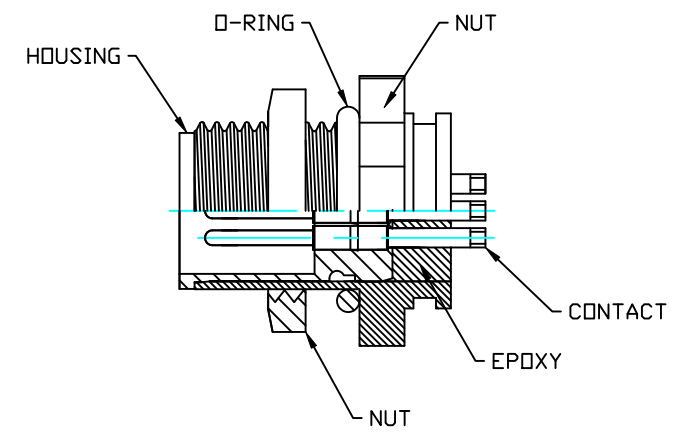
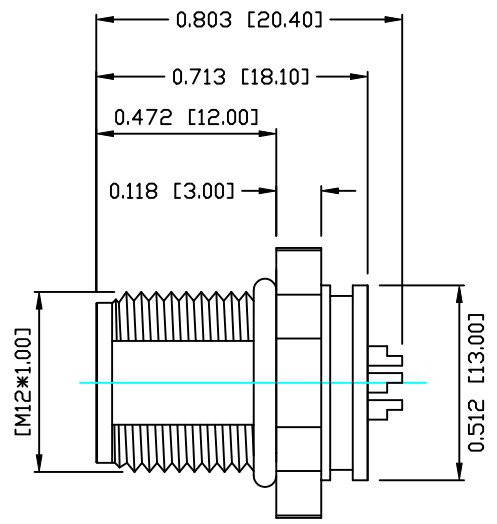
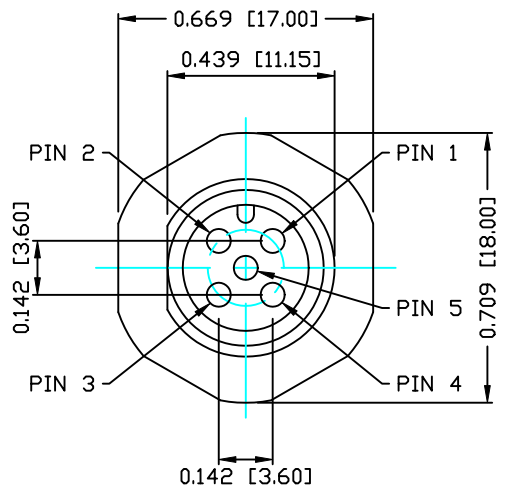
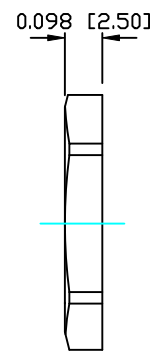
MATERIAL
 HOUSING: PBT UL94V-0, BLACK
 CONTACT: BRASS
 NUT: BRASS
 SHELL: BRASS
 O-RING: EPDM
 FINISH
 CONTACT: GOLD 10µ MIN.
 OVER 50µ NICKEL
 NICKEL PLATED
 NICKEL PLATED
 ELECTRICAL
 RATED CURRENT: 5A
 RATED VOLTAGE: 125V
 WATER PROOF: IP67
 ENVIRONMENT
 OPERATION TEMPERATURE: -40°C TO +85°C
 WIRE GAUGE: 24-28 AWG



PANEL CUTOUT



NUT



RoHS COMPLIANT

DO NOT SCALE FROM DRAWING



THESE DRAWINGS AND SPECIFICATIONS ARE THE PROPERTY OF NorComp AND SHALL NOT BE REPRODUCED, COPIED OR USED AS THE BASIS FOR THE MANUFACTURE OR SALE OF APPARATUS WITHOUT WRITTEN PERMISSION.

DRAWN: C. SMITH
 DATE: 08-28-14
 CHECKED:
 DATE:

NorComp

SCALE: N.T.S.
 SHEET 1 OF 1
 REV 0
 DWG NO. 859-005-103R004