

DESCRIPTION: M12 MALE - PANEL MOUNT (REAR) - 3 POS.

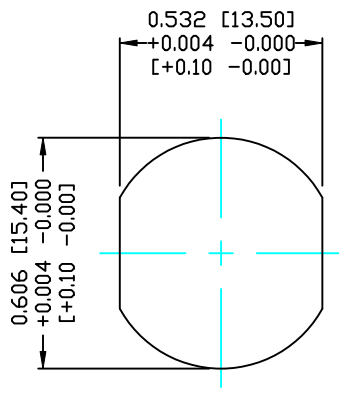
NOTE:

MATERIAL
 HOUSING: PBT UL94V-0, BLACK
 CONTACT: BRASS
 NUT: BRASS
 SHELL: BRASS
 O-RING: EPDM, BLACK

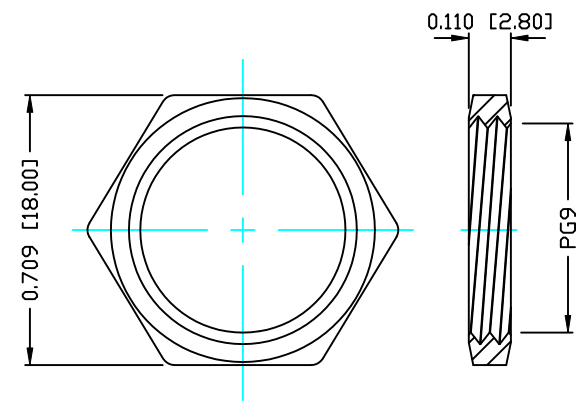
FINISH
 CONTACT: GOLD 10µm MIN.
 OVER 50µm NICKEL
 NICKEL PLATED
 NICKEL PLATED

ELECTRICAL
 RATED CURRENT: 5A
 RATED VOLTAGE: 125V
 WATER PROOF: IP67

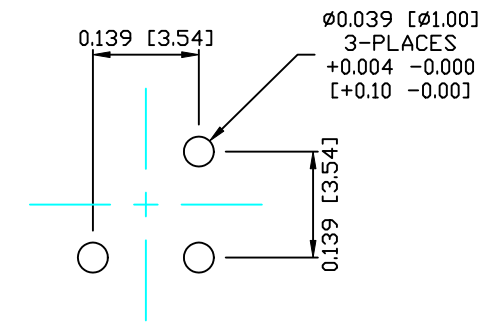
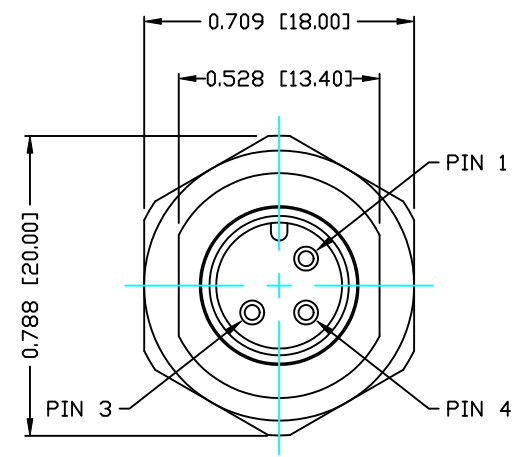
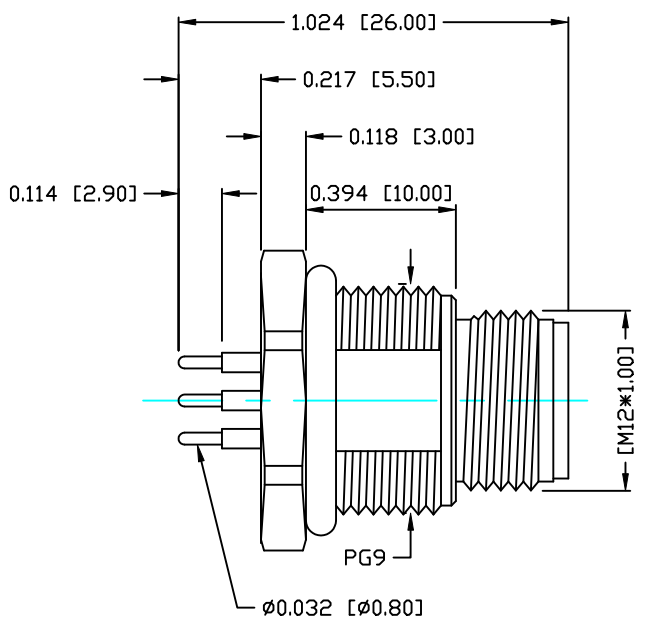
ENVIRONMENT
 OPERATION TEMPERATURE: -40°C TO +85°C



PANEL CUTOUT



NUT



PLC LAYOUT

RoHS COMPLIANT

DO NOT SCALE FROM DRAWING



THESE DRAWINGS AND SPECIFICATIONS ARE THE PROPERTY OF NorComp AND SHALL NOT BE REPRODUCED, COPIED OR USED AS THE BASIS FOR THE MANUFACTURE OR SALE OF APPARATUS WITHOUT WRITTEN PERMISSION.

DRAWN: C. SMITH
 DATE: 01-09-15
 CHECKED:
 DATE:

NorComp

SCALE: N.T.S.
 SHEET 1 OF 1
 REV 0
 DWG NO. 860-003-113R004