

## Excellent Integrated System Limited

Stocking Distributor

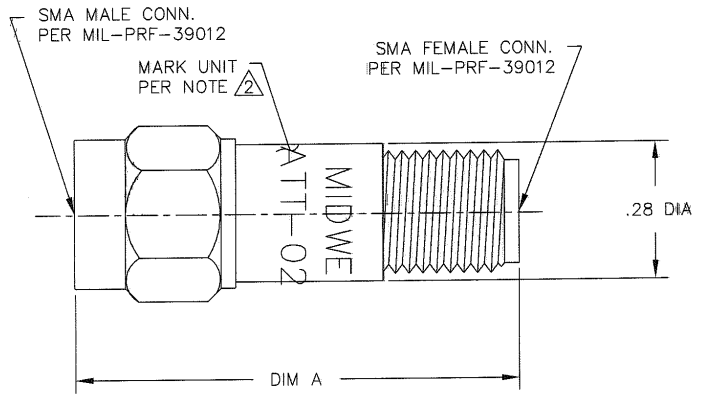
Click to view price, real time Inventory, Delivery & Lifecycle Information:

[Cinch Connectivity Solutions](#)  
[ATT-0275-30-SMA-02](#)

For any questions, you can email us directly:  
[sales@integrated-circuit.com](mailto:sales@integrated-circuit.com)

- NOTES:  
 1.0 SPECIFICATIONS:  
 1.1 FREQUENCY RANGE: DC to 18.0GHz  
 1.2 ATTENUATION VALUES: 1 THRU 30dB  
 IN 1dB INCREMENTS  
 1.3 ATTENUATION ACCURACY:  
 1-6dB ±0.3dB  
 7-20dB ±0.5dB  
 21-30dB ±1.0dB  
 1.4 MAXIMUM VSWR:  
 1.07+.015f(GHz)  
 1.5 MAXIMUM INPUT POWER: 2 WATTS AVG.  
 AT +25°C DERATED LINEARLY TO 0.5  
 WATTS AT +125°C  
 1.6 OPERATING TEMP. RANGE: -65°C to +125°C

MARKING:  
 2.1 MARK UNIT AS SHOWN  
 (REF: INK-09009-27-XX)



ATTENUATION VALUE	DIM A
1 - 12dB	.750
13 - 30dB	.875

REV.	DESCRIPTION	DATE
1	RELEASED	8/3/91
A	ECN 11574	2/18/92
B	ECN 11737	4/13/92
C	ECN 12138	11/4/92
CI	ADDED TITLEBLOCK	3/22/95
D	ECN 21185	1/10/07

UNLESS OTHERWISE NOTED DIMENSIONS ARE IN INCHES AND TOLERANCES ARE: 3 PLACE DECIMALS ±.005 2 PLACE DECIMALS ±.02 FRACTIONS ±1/64 PARALLELITY: T.I.R. _____ FLATNESS: T.I.R. _____ CONCENTRICITY: T.I.R. _____ ANGLES AND PERPENDICULARITY: ±1°	P/BOM NO. <b>34078</b>	<b>MIDWEST MICROWAVE</b>
	NOTICE: The information contained in this drawing is proprietary and must not be used without the permission of Midwest Microwave	
DRAWN/DATE C. RICKARD 7/31/91		ENG./DATE G. KOZAK 8/2/91
CHECKED/DATE A. BEATTY 8/2/91		APPROVED/DATE _____ _____
TITLE ATTENUATOR		DRAWING NUMBER ATT-0275-XX-SMA-02
SCALE: 5=1		SHEET 1 of 1