

Excellent Integrated System Limited

Stocking Distributor

Click to view price, real time Inventory, Delivery & Lifecycle Information:

[Cinch Connectivity Solutions](#)

[ATT-290F-09-HEX-02](#)

For any questions, you can email us directly:

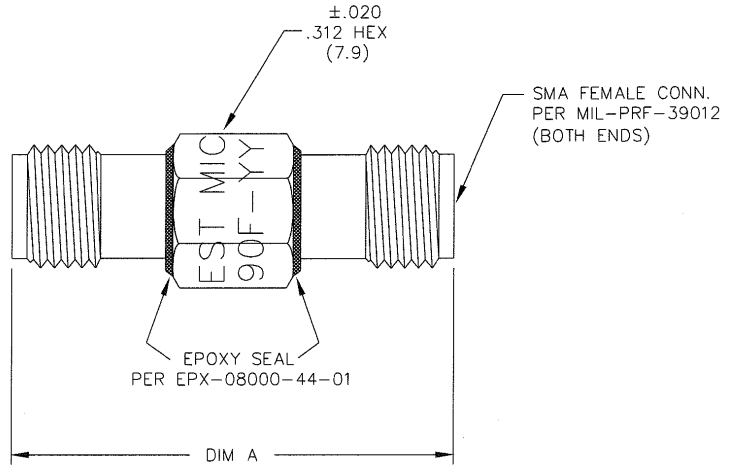
sales@integrated-circuit.com



MODEL NUMBER
 ATT-290F-XX-HEX-02
 REV.
 E1

NOTES:

- 1.0 SPECIFICATIONS:
- 1.1 FREQ. RANGE: DC to 18.0 GHz
- 1.2 ATTENUATION ACCURACY:
 - 0dB +.3/-0dB
 - 1 to 6dB ±0.3dB
 - 7 to 20dB ±0.5dB
 - 21 to 30dB ±1.0dB
- 1.3 MAXIMUM VSWR: 1.07+0.015f(GHz)
- 1.4 MAXIMUM INPUT POWER:
 - 2 WATTS AVG AT +25°C DERATED LINEARLY TO 0.5 WATTS AT +125°C.
- 1.5 OPERATING TEMP. RANGE: -65°C to +125°C
- 2.0 MARKING
- 2.1 MARK UNIT AS SHOWN (REF.: INK-06469-27-XX)
- 3.0 DIMENSIONS IN PARENTHESIS ARE IN MILLIMETERS.



13 - 30dB	1.03(26.2)
0 - 12dB	.90(22.9)
ATTENUATION VALUE	DIM A

WAS DWG. NO.: 04242-01-00

REV.	DESCRIPTION	DATE
1	RELEASED	6/21/82
A	ECR 6545	7/10/89
B	ECR 6933	11/6/90
B1	UPDATE MODEL #	2/5/91
C	ECN 14889/ON CAD	12/6/95
D	ECN 15030	1/25/96
E	ECN 16216	9/15/97
E1	ADDED TITLEBLOCK	3/22/05

UNLESS OTHERWISE NOTED DIMENSIONS ARE IN INCHES AND TOLERANCES ARE: 3 PLACE DECIMALS ±.005 2 PLACE DECIMALS ±.02 FRACTIONS ±1/64 PARALLELITY: T.I.R. _____ FLATNESS: T.I.R. _____ CONCENTRICITY: T.I.R. _____ ANGLES AND PERPENDICULARITY: ±1°	FSCM NO. 34078	MIDWEST MICROWAVE
	NOTICE: The information contained in this drawing is proprietary and must not be used without the permission of Midwest Microwave.	
TITLE ATTENUATOR		DRAWING NUMBER ATT-290F-XX-HEX-02
DRAWN/DATE M. STAFFORD 12/8/95	ENG./DATE G. KOZAK 12/14/95	SCALE: 5=1 SHEET 1 of 1
CHECKED/DATE A. BEATTY 12/13/95	APPROVED/DATE	