

Excellent Integrated System Limited

Stocking Distributor

Click to view price, real time Inventory, Delivery & Lifecycle Information:

[Cinch Connectivity Solutions](#)

[ATT-451F-01-SMA-02](#)

For any questions, you can email us directly:

sales@integrated-circuit.com

NOTES:

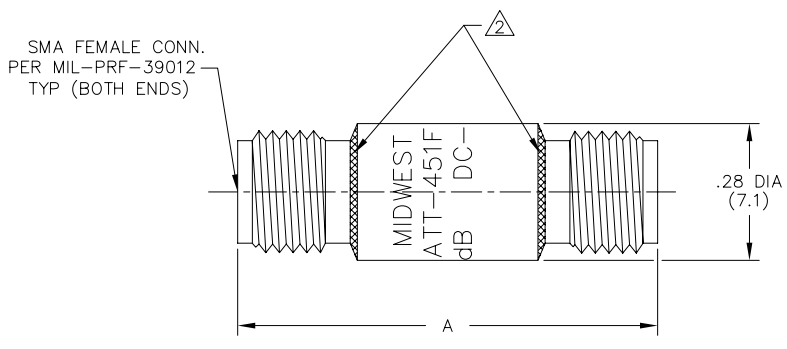
- 1.0 SPECIFICATIONS:
- 1.1 FREQ. RANGE: DC to 18.0 GHz
- 1.2 ATTENUATION ACCURACY:
 - 0dB +0.3/-0dB
 - 0.5 - 6dB ±0.3dB
 - 7 - 20dB ±0.5dB
 - 21 - 30dB ±1.0dB
- 1.3 MAXIMUM VSWR:

	0.5dB	ALL OTHER dB VALUES
DC to 4.0 GHz:	1.12:1	1.12:1
4.0 to 8.0 GHz:	1.18:1	1.15:1
8.0 to 18.0 GHz:	1.25:1	1.20:1
- 1.4 MAXIMUM INPUT POWER: 2 WATTS AVG AT +25°C DERATED LINEARLY TO 0.5 WATTS AT +125°C
- 1.5 OPERATING TEMP. RANGE: -65°C to +125°C

△ EPOXY UNIT PER EPX-08000-44-01 AS SHOWN.

3.0 MARKING
3.1 MARK UNIT AS SHOWN:
(REF.: INK-03838-27-XX)

4.0 DIMENSIONS IN PARENTHESIS ARE IN MILLIMETERS.



ATTENUATION VALUE	DIM A
1 thru 10dB	.90(22.9)
20 dB	1.03(26.2)

DWG. # WAS: 02334-01-00

REV.	DESCRIPTION	DATE
I	RELEASED	9/20/87
A	ECR 5695	9/29/87
B	ECR 6545	6/28/89
C	ECN 10578	6/4/91
D	ECN 13253	3/3/94
D1	ADDED TITLER LOCK	4/5/05

UNLESS OTHERWISE NOTED DIMENSIONS ARE IN INCHES AND TOLERANCES ARE: 3 PLACE DECIMALS ±.005 2 PLACE DECIMALS ±.02 FRACTIONS ±1/64 PARALLELITY: T.I.R. _____ FLATNESS: T.I.R. _____ CONCENTRICITY: T.I.R. _____ ANGLES AND PERPENDICULARITY: ±1°	FSCM NO. 34078	MIDWEST MICROWAVE
	NOTICE: The information contained in this drawing is proprietary and must not be used without the permission of Midwest Microwave	
	TITLE ATTENUATOR	
	DRAWN/DATE C. RICKARD 6/4/91	ENG./DATE C. KOZAK 6/12/91
CHECKED/DATE A. BEATTY 6/12/91	APPROVED/DATE	SCALE: 5=1 SHEET 1 of 1