

## **Excellent Integrated System Limited**

Stocking Distributor

Click to view price, real time Inventory, Delivery & Lifecycle Information:

[Cinch Connectivity Solutions](#)  
[ATT-451F-07-SMA-02](#)

For any questions, you can email us directly:  
[sales@integrated-circuit.com](mailto:sales@integrated-circuit.com)

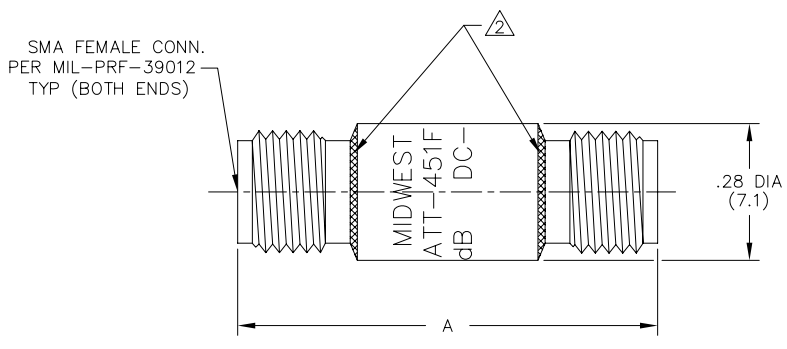
NOTES:

- 1.0 SPECIFICATIONS:  
 1.1 FREQ. RANGE: DC to 18.0 GHz  
 1.2 ATTENUATION ACCURACY:  
     0dB   +0.3/-0dB  
     0.5 - 6dB   ±0.3dB  
     7 - 20dB   ±0.5dB  
     21 - 30dB   ±1.0dB  
 1.3 MAXIMUM VSWR:  
     0.5dB   ALL OTHER dB VALUES  
     DC to 4.0 GHz: 1.12:1   1.12:1  
     4.0 to 8.0 GHz: 1.18:1   1.15:1  
     8.0 to 18.0 GHz: 1.25:1   1.20:1  
 1.4 MAXIMUM INPUT POWER: 2 WATTS AVG  
     AT +25°C DERATED LINEARLY TO  
     0.5 WATTS AT +125°C  
 1.5 OPERATING TEMP. RANGE: -65°C to +125°C

△ EPOXY UNIT PER EPX-08000-44-01 AS SHOWN.

3.0 MARKING  
 3.1 MARK UNIT AS SHOWN:  
 (REF.: INK-03838-27-XX)

4.0 DIMENSIONS IN PARENTHESIS ARE IN MILLIMETERS.



ATTENUATION VALUE	DIM A
1 thru 10dB	.90(22.9)
20 dB	1.03(26.2)

DWG. # WAS: 02334-01-00

REV.	DESCRIPTION	DATE
I	RELEASED	9/20/87
A	ECR 5695	9/29/87
B	ECR 6545	6/28/89
C	ECN 10578	6/4/91
D	ECN 13253	3/3/94
D1	ADDED TITLERLOCK	4/5/05

UNLESS OTHERWISE NOTED DIMENSIONS ARE IN INCHES AND TOLERANCES ARE: 3 PLACE DECIMALS ±.005 2 PLACE DECIMALS ±.02 FRACTIONS ±1/64 PARALLELITY: T.I.R. _____ FLATNESS: T.I.R. _____ CONCENTRICITY: T.I.R. _____ ANGLES AND PERPENDICULARITY: ±1°	FSCM NO. <b>34078</b>	<b>MIDWEST MICROWAVE</b>
	NOTICE: The information contained in this drawing is proprietary and must not be used without the permission of Midwest Microwave	
	TITLE ATTENUATOR	
	DRAWN/DATE C. RICKARD 6/4/91	ENG./DATE C. KOZAK 6/12/91
CHECKED/DATE A. BEATTY 6/12/91	APPROVED/DATE	SCALE: 5=1    SHEET 1 of 1