

Excellent Integrated System Limited

Stocking Distributor

Click to view price, real time Inventory, Delivery & Lifecycle Information:

[Cinch Connectivity Solutions](#)

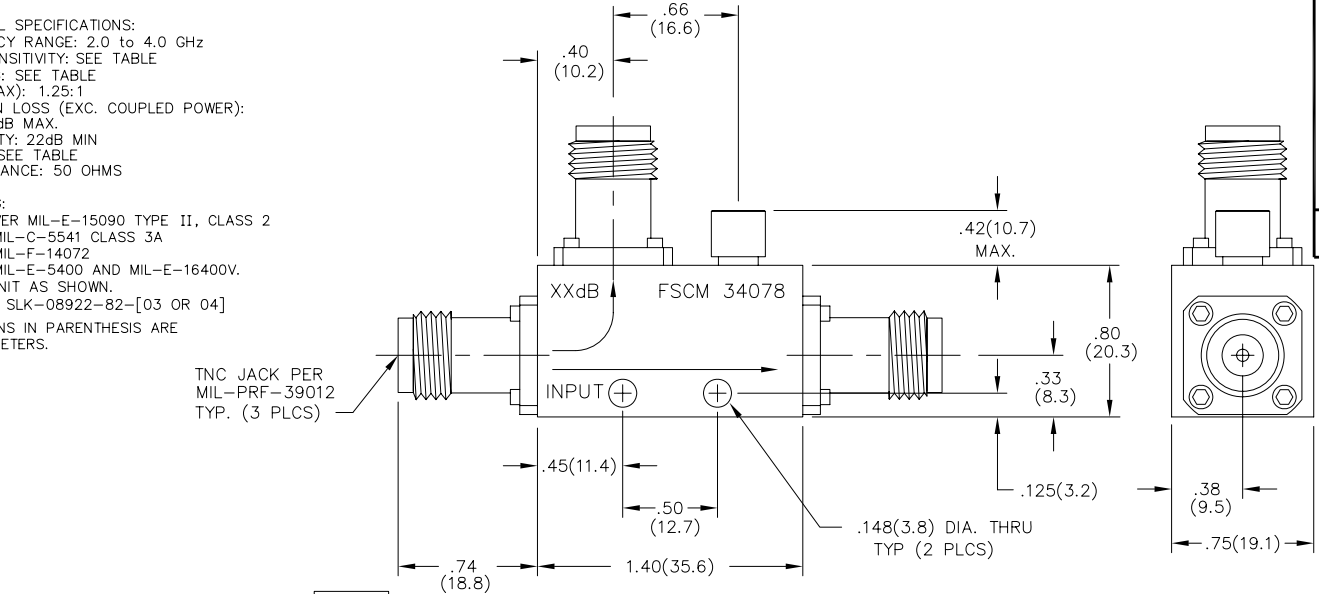
[CPL-5212-20-TNC-79](#)

For any questions, you can email us directly:

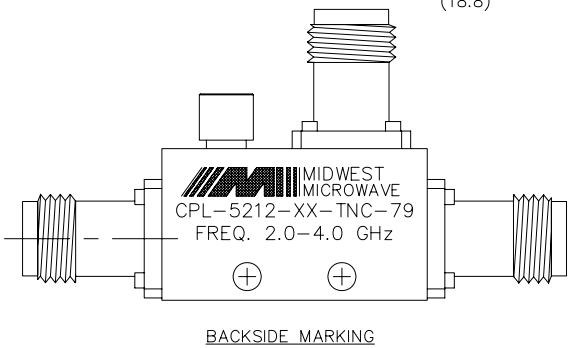
sales@integrated-circuit.com

- NOTES:
- 1.0 ELECTRICAL SPECIFICATIONS:
 - 1.1 FREQUENCY RANGE: 2.0 to 4.0 GHz
 - 1.2 FREQ. SENSITIVITY: SEE TABLE
 - 1.3 COUPLING: SEE TABLE
 - 1.4 VSWR (MAX): 1.25:1
 - 1.5 INSERTION LOSS (EXC. COUPLED POWER): 0.30dB MAX.
 - 1.6 DIRECTIVITY: 22dB MIN
 - 1.7 POWER: SEE TABLE
 - 1.8 RF IMPEDANCE: 50 OHMS
 - 2.0 FINISHING:
 - 2.1 GREY OVER MIL-E-15090 TYPE II, CLASS 2 OVER MIL-C-5541 CLASS 3A MEETS MIL-F-14072 MEETS MIL-E-5400 AND MIL-E-16400V.
 - 2.2 MARK UNIT AS SHOWN. REF: SLK-08922-82-[03 OR 04]
 - 3.0 DIMENSIONS IN PARENTHESIS ARE IN MILLIMETERS.

MODEL NUMBER
CPL-5212-XX-TNC-79
REV.
-1



CPL-5212-10-TNC-79	10dB	±0.75dB	50	10	4,000
CPL-5212-06-TNC-79	6dB	±0.60dB	50	4	4,000
CPL-5212-XX-TNC-79	-XX ±1.0dB	FREQ. SENSITIVITY	INPUT POWER (WATTS)	REF. PEAK	
MODEL NUMBER	COUPLING				



DATE	7/13/95	4/14/05
DESCRIPTION	RELEASED	ADDED TITLER/LOCK
REV.	1	T

UNLESS OTHERWISE NOTED DIMENSIONS ARE IN INCHES AND TOLERANCES ARE:

3 PLACE DECIMALS ±.005
2 PLACE DECIMALS ±.02
FRACTIONS ±1/64

PARALLELITY: T.J.R. _____
FLATNESS: T.J.R. _____
CONCENTRICITY: T.J.R. _____
ANGLES AND PERPENDICULARITY: ±1°

FSCM NO. **34078**

MIDWEST MICROWAVE

NOTICE: The information contained in this drawing is proprietary and must not be used without the permission of Midwest Microwave

TITLE: DIRECTIONAL COUPLER

DRAWING NUMBER: CPL-5212-XX-TNC-79

SCALE: 2=1 SHEET 1 of 1

DRAWN/DATE: A.BEATTY 7/7/95
ENG./DATE: J.O'NEIL 7/13/95
CHECKED/DATE: P.GOODMAN 7/13/95
APPROVED/DATE: _____