

## **Excellent Integrated System Limited**

Stocking Distributor

Click to view price, real time Inventory, Delivery & Lifecycle Information:

[Cinch Connectivity Solutions](#)  
[OPN-2184-F0-NNN-02](#)

For any questions, you can email us directly:  
[sales@integrated-circuit.com](mailto:sales@integrated-circuit.com)

NOTES:

1.0 MATERIALS:

- 1.1 COUPLING NUT & HOUSINGS:  
STAINLESS STEEL PER ASTM-A582, TYPE 303.
- 1.2 CENTER CONTACT: BERYLLIUM COPPER ROD  
ALLOY C172, PER ASTM-B196.

2.0 PLATING:

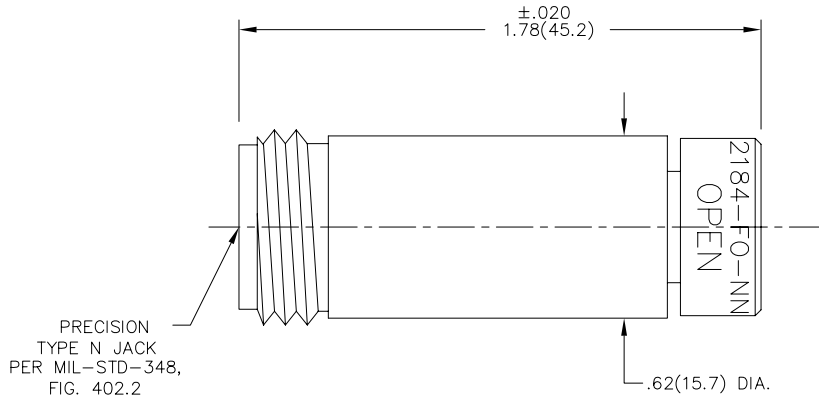
- 2.1 COUPLING NUT & HOUSINGS:  
PASSIVATED PER MIL-F-14072 & QQ-P-35.
- 2.2 CENTER CONTACT: GOLD PER MIL-G-45204,  
TYPE II, CLASS 2

3.0 MARKING: MARK UNIT AS SHOWN

OPN-2184-F0-NNN-02  
OPEN

THE WORD "OPEN"  
SHOULD BE AS BIG  
& AS BOLD AS POSSIBLE

4.0 DIMENSIONS IN PARENTHESIS ARE IN  
MILLIMETERS.



MODEL NUMBER  
OPN-2184-F0-NNN-02  
REV.  
B1

REV.	DESCRIPTION	DATE
1	RELEASED	1/4/95
A	EON 14348	3/9/95
B	EON 14996	7/27/95
B1	ADDED TITLEBLOCK	7/14/95

UNLESS OTHERWISE NOTED DIMENSIONS ARE IN INCHES AND TOLERANCES ARE: 3 PLACE DECIMALS ±.005 2 PLACE DECIMALS ±.02 FRACTIONS ±1/64 PARALLELITY: T.I.R. _____ FLATNESS: T.I.R. _____ CONCENTRICITY: T.I.R. _____ ANGLES AND PERPENDICULARITY: ±1'	FSCM NO. <b>34078</b>	<b>MIDWEST MICROWAVE</b>
	NOTICE: The information contained in this drawing is proprietary and must not be used without the permission of Midwest Microwave	
TITLE TYPE N JACK OPEN CIRCUIT TERMINATION		DRAWING NUMBER OPN-2184-F0-NNN-02
DRAWN/DATE A. BEATTY 12/27/94		ENG/DATE A. OSCA 1/4/95
CHECKED/DATE M. HOLLMAN 1/3/95		APPROVED/DATE
SCALE: 3=1		SHEET 1 of 1