

Excellent Integrated System Limited

Stocking Distributor

Click to view price, real time Inventory, Delivery & Lifecycle Information:

[Cinch Connectivity Solutions](#)

[PWD-5520-04-NNN-79](#)

For any questions, you can email us directly:

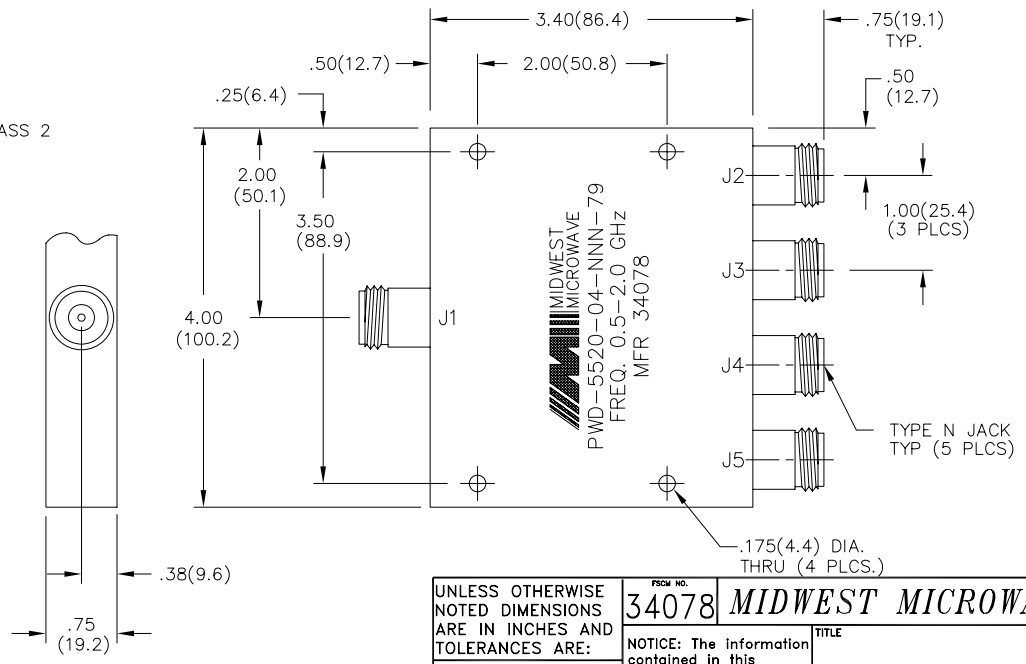
sales@integrated-circuit.com

MODEL NUMBER
PWD-5520-04-NNN-79
REV.
A

- NOTES:
- 1.0 SPECIFICATIONS:
- 1.1 FREQUENCY RANGE: 0.5 to 2.0 GHz
 - 1.2 INSERTION LOSS: 1.0dB MAX. WHEN REFERENCED TO 6dB POWER DIVISION.
 - 1.3 AMPLITUDE UNBALANCE: 0.5dB MAX.
 - 1.4 PHASE BALANCE: 10° MAX.
 - 1.5 VSWR: 1.50:1 MAX.
 - 1.6 ISOLATION: 18dB MIN.
 - 1.7 INPUT POWER: 4.0 WATTS MAX.

- 3.0 MARKING:
MARK UNIT AS SHOWN
(REF.: SLK-08124-82-01)
- 4.0 DIMENSIONS IN PARENTHESIS ARE
IN MILLIMETERS

- 2.0 FINISH:
GREY OVER MIL-E-15090 TYPE II, CLASS 2
OVER MIL-C-5541 CLASS 3A
MEETS MIL-F-14072
MEETS MIL-E-5400



REV.	DESCRIPTION	DATE
1	RELEASED	11/06/94
A		4/17/03

UNLESS OTHERWISE NOTED DIMENSIONS ARE IN INCHES AND TOLERANCES ARE: 3 PLACE DECIMALS ±.005 2 PLACE DECIMALS ±.02 FRACTIONS ±1/64	PSCN NO. 34078		MIDWEST MICROWAVE
	NOTICE: The information contained in this drawing is proprietary and must not be used without the permission of Midwest Microwave		
PARALLELITY: T.J.R. _____ FLATNESS: T.J.R. _____ CONCENTRICITY: T.J.R. _____ ANGLES AND PERPENDICULARITY: ±1°	DRAWN/DATE A.BEATTY 11/7/94	ENG./DATE J.O'NEIL 11/7/94	DRAWING NUMBER PWD-5520-04-NNN-79
	CHECKED/DATE	APPROVED/DATE	SCALE: 1=1 SHEET 1 of 1