

## **Excellent Integrated System Limited**

Stocking Distributor

Click to view price, real time Inventory, Delivery & Lifecycle Information:

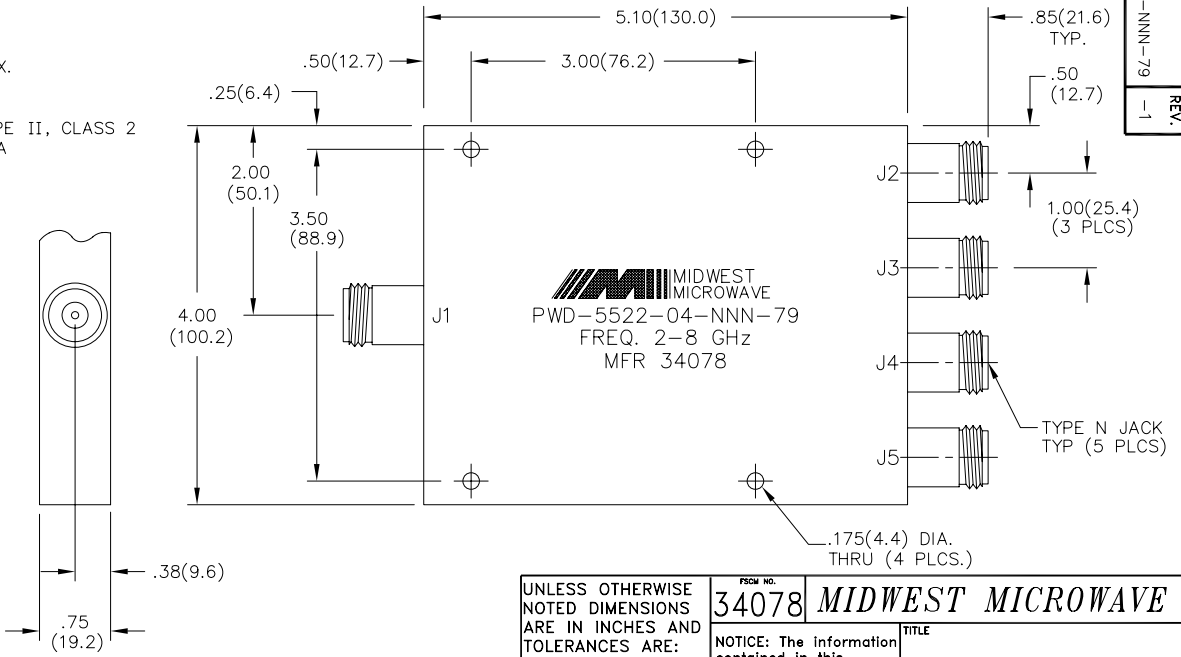
[Cinch Connectivity Solutions](#)  
[PWD-5522-04-NNN-79](#)

For any questions, you can email us directly:  
[sales@integrated-circuit.com](mailto:sales@integrated-circuit.com)

- NOTES:
- 1.0 SPECIFICATIONS:
    - 1.1 FREQUENCY RANGE: 2.0 to 8.0 GHz
    - 1.2 INSERTION LOSS: 1.0dB MAX. WHEN REFERENCED TO 6dB POWER DIVISION.
    - 1.3 AMPLITUDE UNBALANCE: 0.5dB MAX.
    - 1.4 PHASE BALANCE: 10° MAX.
    - 1.5 VSWR: 1.50:1 MAX.
    - 1.6 ISOLATION: 18dB MIN.
    - 1.7 INPUT POWER: 30 WATTS MAX.

- 2.0 FINISH:
  - GREY OVER MIL-E-15090 TYPE II, CLASS 2
  - OVER MIL-C-5541 CLASS 3A
  - MEETS MIL-F-14072
  - MEETS MIL-E-5400

- 3.0 MARKING:
  - MARK UNIT AS SHOWN
- 4.0 DIMENSIONS IN PARENTHESIS ARE IN MILLIMETERS



MODEL NUMBER  
PWD-5522-04-NNN-79  
REV. 1

REV.	DESCRIPTION	DATE
1	RELEASED	8/12/94
T	ADDED TITLER BLOCK	7/19/05

UNLESS OTHERWISE NOTED DIMENSIONS ARE IN INCHES AND TOLERANCES ARE: 3 PLACE DECIMALS ±.005 2 PLACE DECIMALS ±.02 FRACTIONS ±1/64 PARALLELITY: T.J.R. _____ FLATNESS: T.J.R. _____ CONCENTRICITY: T.J.R. _____ ANGLES AND PERPENDICULARITY: ±1°	PSCM NO. <b>34078</b>	<b>MIDWEST MICROWAVE</b>
	NOTICE: The information contained in this drawing is proprietary and must not be used without the permission of Midwest Microwave TITLE POWER DIVIDER TYPE N (4-WAY)	
DRAWN/DATE A.BEATTY 8/9/94 CHECKED/DATE	ENG./DATE J.O'NEIL 8/10/94 APPROVED/DATE	DRAWING NUMBER PWD-5522-04-NNN-79
SCALE: 1=1		SHEET 1 of 1